

40644

INTERCONNECT WIRING (BY CUSTOMER)

SERVICE	TERMINATIONS	NUMBER OF WIRES	WIRE SIZE (NOTE 6)
SENSORS	(No. 3,4,5,6,7)	5	#16 AWG.-SHIELDED
MOTOR/LS-1	(No. 1,2,8,9,10)	5	#14-AWG.-COPPER STRAND

EMO III CONTROL PANEL (NOTE 2)

TERMINAL	DESCRIPTION
No. 1	LIMIT SWITCH COMM
No. 2	LIMIT SWITCH SIGNAL
No. 3	SENSOR +5 Vdc SUPPLY
No. 4	SENSOR Com Vdc SUPPLY
No. 5	SENSOR #3 SIGNAL
No. 6	SENSOR #2 SIGNAL
No. 7	SENSOR #1 SIGNAL
No. 8	MOTOR DRIVE ϕ C
No. 9	MOTOR DRIVE ϕ B
No. 10	MOTOR DRIVE ϕ A
No. 11	SHIELD GROUND
No. 12	SPEED SYNC (+)
No. 13	SPEED SYNC (-)
No. 14	CONTACT SET "A" COMMON
No. 15	CONTACT SET "A" N.O.
No. 16	CONTACT SET "A" N.C.
No. 17	CONTACT SET "B" COMMON
No. 18	CONTACT SET "B" N.O.
No. 19	CONTACT SET "B" N.C.
No. 20	POWER INPUT (SEE TABLE)
No. 21	POWER INPUT (SEE TABLE)
No. 22	POWER INPUT (SEE TABLE)
No. 23	POWER INPUT (SEE TABLE)
No. 24	POWER INPUT (SEE TABLE)
No. 25	INTERLOCK
No. 26	INTERLOCK
No. 27	POWER INPUT (SEE TABLE)
No. 28	DISTRIBUTION GROUND

300 FT MAXIMUM WIRE RUN DISTANCE

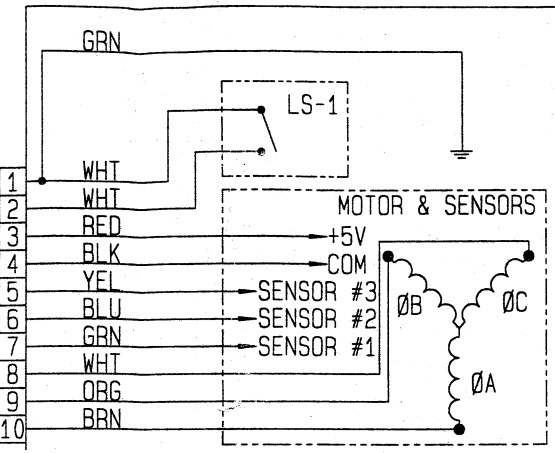
SEE INTERCONNECT WIRING TABLE

4-20 mA MACHINE SPEED SYNC SIGNAL (NOTE 4)

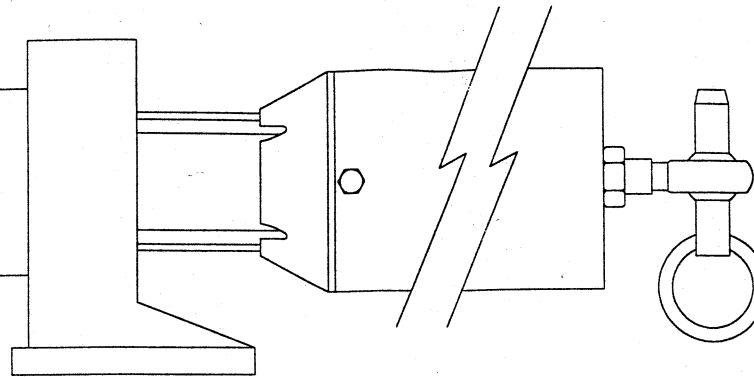
SHUT OFF RELAY (NOTE 8)

POWER INPUT INTERLOCK

EMOIII OSCILLATOR (NOTE 7)



STROKE LENGTH AND SPEED (NOTE 3)



VOLTAGE INPUT SELECT TABLE		!! CONFIGURE EACH STATION !!				
AC INPUT 47-63 Hz	INPUT TERMINALS	JUMPERS		FUSE RATING (3AG)	AES PART NUMBER	
		J2	J3			
100	(HOT) 27 (NEU) 20	21-22	23-24	2 AMP	A-23327	
120	(HOT) 27 (NEU) 21	21-22	23-24	2 AMP	A-23327	
215	(L1) 27 (L2) 20	22-23	NONE	2 AMP	A-23327	
230	(L1) 27 (L2) 21	22-23	NONE	2 AMP	A-23327	
240	(L1) 27 (L2) 21	22-23	NONE	2 AMP	A-23327	

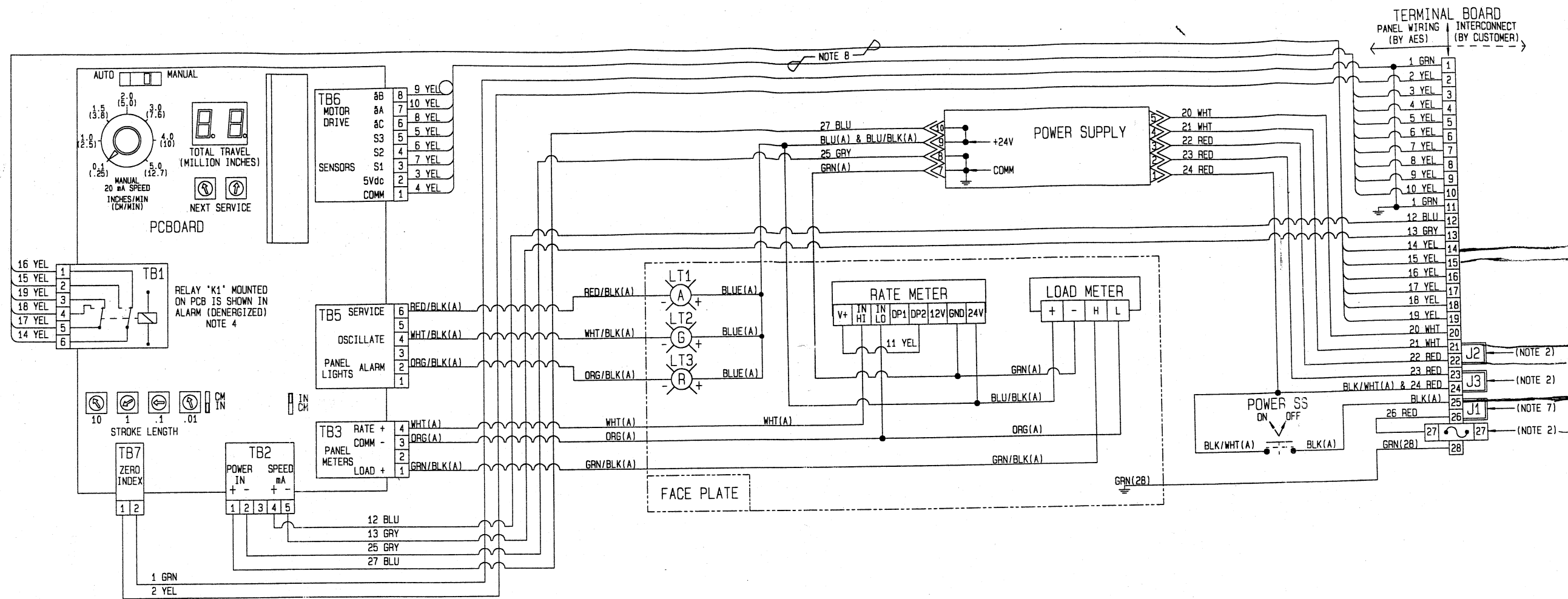
NOTES:

- 1- REFERENCE VOLTAGE SELECT TABLE FOR PROPER CONFIGURATION OF "J2" & "J3". ALL CUSTOMER WIRE TERMINATIONS ARE TO BE MADE ON MAIN TERMINAL BOARD.
- 2- REFERENCE PANEL SCHEMATIC FOR INTERNAL WIRING DIAGRAM.
- 3- OSCILLATOR STROKE LENGTH AND SPEED ARE REGULATED FROM WITHIN THE CONTROL PANEL. REFERENCE FORM #759 FOR INSTALLATION AND OPERATION INFO.
- 4- ALL 4-20 mA SIGNAL WIRE SHALL BE #18 AWG SHIELDED, STRANDED, TWISTED PAIR (BELDEN #9318 OR EQUAL). CONDUIT AND FITTINGS ARE TO BE LIQUIDTIGHT AND CORROSION RESISTANT.
- 5- INTERLOCK JUMPER "J1" MAY BE REPLACED WITH A N.O.H.C. SET OF CONTACTS FOR "POWERING UP" THE OSCILLATOR FROM A REMOTE LOCATION.
- 6- OSCILLATOR INTERCONNECT WIRING MAY BE RUN IN A SINGLE CONDUIT. ALL DASHED LINES BY CUSTOMER, ALL INTERNAL PANEL AND OSCILLATOR WIRING BY AES.
- 7- TERMINAL POINTS No. 11 THRU No. 16 ON THE OSCILLATOR ARE NOT USED.
- 8- N.O.H.C. CONTACTS ARE PROVIDED FOR SHOWER WATER SHUT OFF UPON OSCILLATION STOP. SET "B" MAY BE USED FOR AN ALARM DEVICE. CONTACTS RATED FOR 7.5 AMP AT 120Vac OR 24Vdc. REFERENCE FORM #759 FOR RECOMMENDATIONS.
- 9- FUSES AND JUMPERS ARE PROVIDED AND ARE SHIPPED WITH PANEL, LOCATED IN AN ACCESSORY BAG INSIDE PANEL. REFERENCE INPUT VOLTAGE SELECT TABLE.

- 3 REVISED DWG. PER E08898
- 2 REVISED POSITIONS OF JUMPERS J2 & J3 ON DIN RAIL/ ECR #E5787
- 1 1 AND/OR 2 STATION EMOIII CONTROL (P-4014)

09-20-99 09-20-99
JAT SHF
12-05-95 12-05/95
SFB SHF
02-03-94
PTG

REVISION	DESCRIPTION	DATE BY	DATE CHECK BY	APPROVED BY
THIS DRAWING IS CONFIDENTIAL IN DESIGN, DETAIL AND INVENTION. IT IS THE PROPERTY OF AES ENGINEERED SYSTEMS AND MAY BE USED SOLELY FOR WORK CONTRACTED, OR BY EXPRESS PERMISSION. ALL RIGHTS OF REPRODUCTION ARE RESERVED.				
<p>AES Engineered Systems a Thermo Fibertek Company</p>		<p>INTERCONNECT, FIELD EMO III OSCILLATOR</p>		
		<p>SH 1 OF 1</p>		
<p>DO NOT SCALE THIS DRAWING</p>		<p>BREAK ALL CORNERS TO .015R MAX., UNLESS OTHERWISE SPECIFIED</p>		<p>C27727</p>



NOTES:

- 1) TERMINAL BOARD INTERCONNECT WIRING FOR THE OSCILLATOR, POWER INPUT, AVAILABLE SPEED INTERFACE AND AVAILABLE INTERLOCK ARE TO BE RUN IN ACCORDANCE WITH AES FORM #759 AND INTERCONNECT DIAGRAM AES #C-27727.
- 2) FUSES & JUMPERS LOCATED (LOOSE) INSIDE PANEL ARE FOR FIELD INSTALLATION, REFERENCE INPUT SELECTION TABLE FOR POWER CONFIGURATION OF "J2 & J3".
- 3) ALL CUSTOMER WIRE TERMINATIONS ARE TO BE MADE ON MAIN TERMINAL BOARD.
- 4) CIRCUIT BOARD MOUNTED RELAY CONTACTS ARE RATED 7.5A @ 24Vdc OR 115Vac, FOR REPLACEMENT (AES# A-24073).
- 5) ALL CONDUIT ENTREES ARE TO BE MADE THRU BOTTOM OR SIDES OF PANEL ENCLOSURE.
- 6) REFERENCE PANEL ASSEMBLY PRINT FOR TERMINAL BOARD, POWER SUPPLY, AND CIRCUIT BOARD LOCATION.
- 7) INTERLOCK JUMPERS "J1" MAY BE REPLACED WITH A N.O.H.C. SET OF CONTACTS FOR "POWERING UP" EACH STATION FROM A REMOTE LOCATION.
- 8) SINGLE CONDUCTORS SHOWN AS ONE LINE FOR CLARITY, REFERENCE AES WIRE SPECIFICATION TABLE FOR CONDUCTOR TYPE.

INPUT VOLTAGE SELECT (47-60Hz)						
AC INPUT	INPUT TERMINALS		JUMPERS		FUSE RATING (3AG)	AES PART NUMBER
			J2	J3		
100	(HOT) 27	(NEU) 20	21-22	23-24	2 AMP	A-23327
120	(HOT) 27	(NEU) 21	21-22	23-24	2 AMP	A-23327
215	(L1) 27	(L2) 20	22-23	NONE	2 AMP	A-23327
230	(L1) 27	(L2) 21	22-23	NONE	2 AMP	A-23327
240	(L1) 27	(L2) 21	22-23	NONE	2 AMP	A-23327

PANEL WIRE SPECIFICATION TABLE (BY AES)

WIRE(S)	DESCRIPTION	AES PART NUMBER
#01-#27	#18 STR. 12 CONDUCTOR CABLE	AES #R01658
#01-#27	#18 STR. SINGLE CONDUCTOR MTW OR TFF	AES #R00283-R00287
#28	#14 GAUGE STR. MTW OR TFF	AES #R0166733

- 5 REVISED FUSE A23326 1AMP TO A23327 2AMP PER E08898
- 4 REVISED PER ECR# E06813.
- 3 REVISED DWG PER PCR P06074.
- 2 REVISED POSITION OF JUMPERS J2 & J3 ON DIN RAIL/ECR #E5787
- 1 STATION EMO III IN ONE CONTROL PANEL ENCLOSURE (P-4014)

09-20-98 09-21-98
02-20-97 02-21-97
10/08/96 10/09/96
SAP
12-26-95 12-28-95
02-21-94
PJC

REVISION	DESCRIPTION	DATE BY	DATE CHECK BY	APPROVED BY
THIS DRAWING IS CONFIDENTIAL IN DESIGN, DETAIL AND INVENTION. IT IS THE PROPERTY OF AES ENGINEERED SYSTEMS AND MAY BE USED SOLELY FOR WORK CONTRACTED, OR BY EXPRESS PERMISSION. ALL RIGHTS OF REPRODUCTION ARE RESERVED.				
Engineered Systems a Thermo Fibertek Company		SCHEMATIC, EMO III PANEL SINGLE STATION		
		SH 1 OF 1 D26709		
DO NOT SCALE THIS DRAWING		BREAK ALL CORNERS TO 0.125" MAX., UNLESS OTHERWISE SPECIFIED		