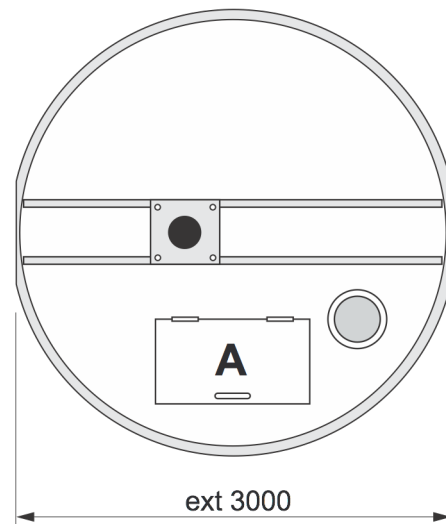
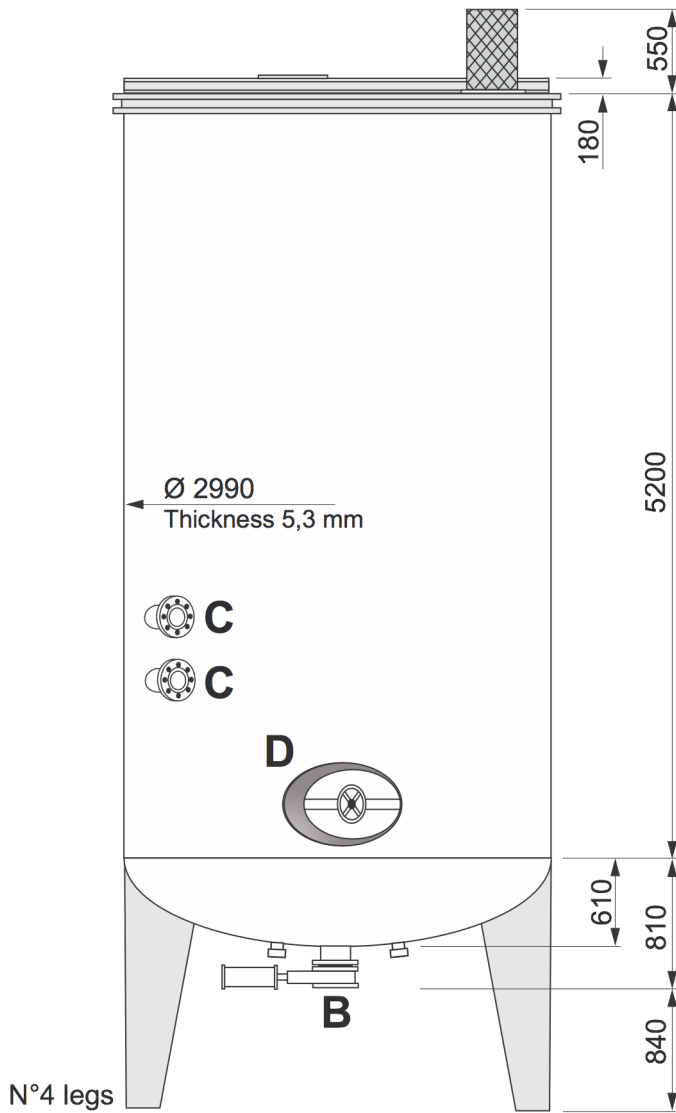


COPRINOX

VESSEL

Code n° **VV 400 1573**

Location ref: **19 S2**



CAPACITY LITERS **40.000**

SHELL SIDE

JACKET/COIL SIDE

Design Pressure KG/cm²
Design Temperature °C
Material

Atm

--

--

--

AISI 304

--

ANCC or ISPESL certification: **N.A**

Availability in stock n° **1** units

NOZZLE DIMENSIONS

MANUFACTURER _____

Pos	Service	Size
A	Man hole	800x600
B	Product outlet	DN250
C	Service	DN150
D	Man hole	450x320
E		

- USED
 USED RECONDITIONED
 UNUSED

NOTE _____

WEIGHT (approx) Kg **3240**