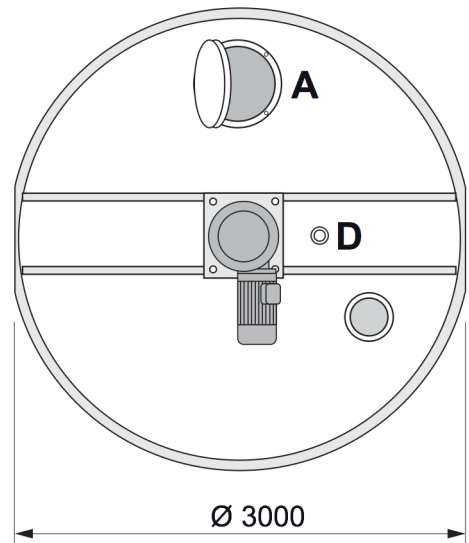
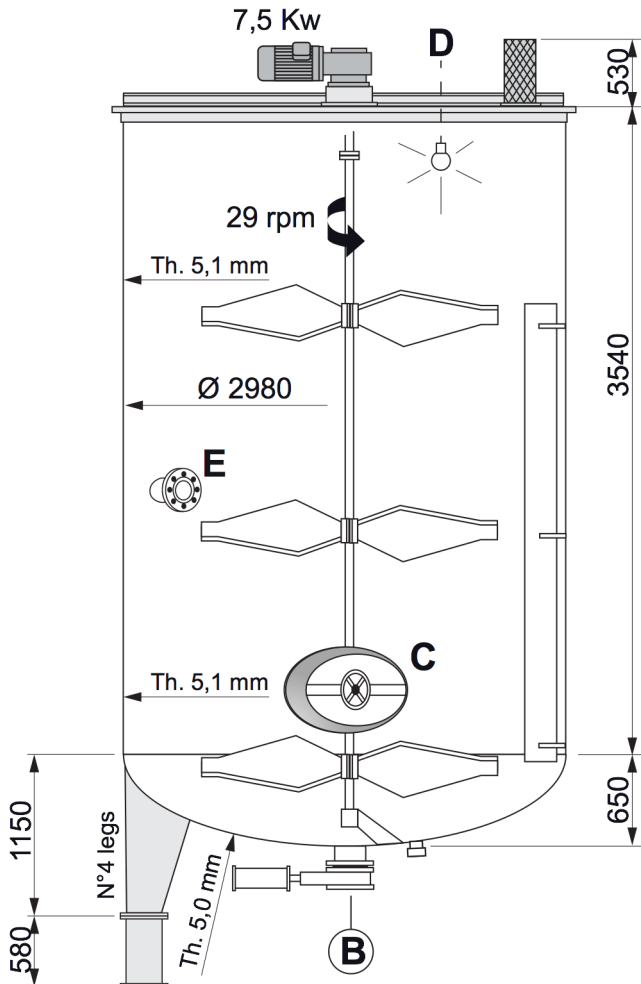


COPRINOX

VESSEL

Code n° **VV 276 1599**

Location ref: 19 C5



CAPACITY LITERS <u>27.600</u>		SHELL SIDE	JACKET/COIL SIDE
Design Pressure KG/cm2		Atm	--
Design Temperature °C		--	--
Material		AISI 304	--
ANCC or ISPESL certification: _____		NOZZLE DIMENSIONS	
Availability in stock n° <u>1</u> units		Pos	Service
MANUFACTURER _____		A	Manhole
<input checked="" type="checkbox"/> USED <input type="checkbox"/> USED RECONDITIONED <input type="checkbox"/> UNUSED		B	Product outlet
		C	Manhole
WEIGHT (approx) Kg <u>2200</u>		D	CIP - sprayball
		E	Product inlet
NOTE _____			