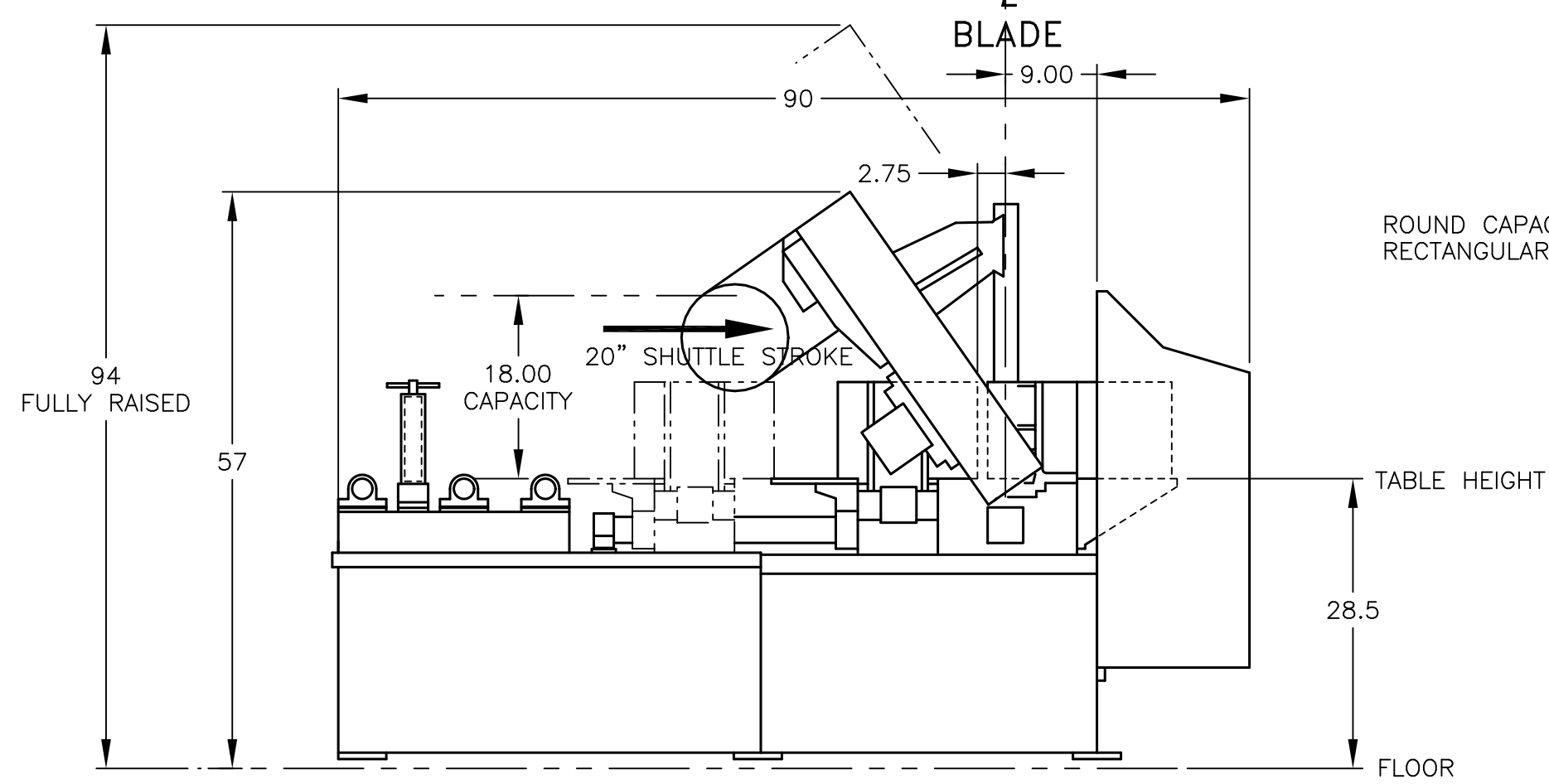


OUTLINE OF MACHINE BASE AT FLOOR LEVEL SHOWING ANCHOR HOLES AND LEVELING SCREWS

- ⊕ ANCHOR HOLES
- LEVELING SCREWS



ROUND CAPACITY = 18"
RECTANGULAR CAPACITY = 14" x 18"

PLOTTED: 05/10/06

L			
K			
J			
H			
G			
F			
E			
D			
C			
B			
A			
REV	DATE	REMARKS	BY
DO NOT SCALE DRAWINGS BREAK ALL SHARP CORNERS TOLERANCES BETWEEN MACHINED SURFACES: UNLESS OTHERWISE SPECIFIED: .X ± .1 .XX ± .02 .XXX ± .008			
TITLE			
PA18/2 BASIC FLOOR PLAN			
BLANK SIZE			
MATERIAL			
DATE	SCALE	DRWN BY	CHECKED BY
08/22/03	1:16.00	RWS	
ALL RIGHTS TO ENGINEERING, DESIGN, INVENTIONS AND PATENTS RESERVED TO AND PROPERTY OF:			
ARMSTRONG-BLUM MFG. CO. MT. PROSPECT, IL., U.S.A.			
CAD NO.			
SPECPA18			
PART NO.			
SPECPA18/2			