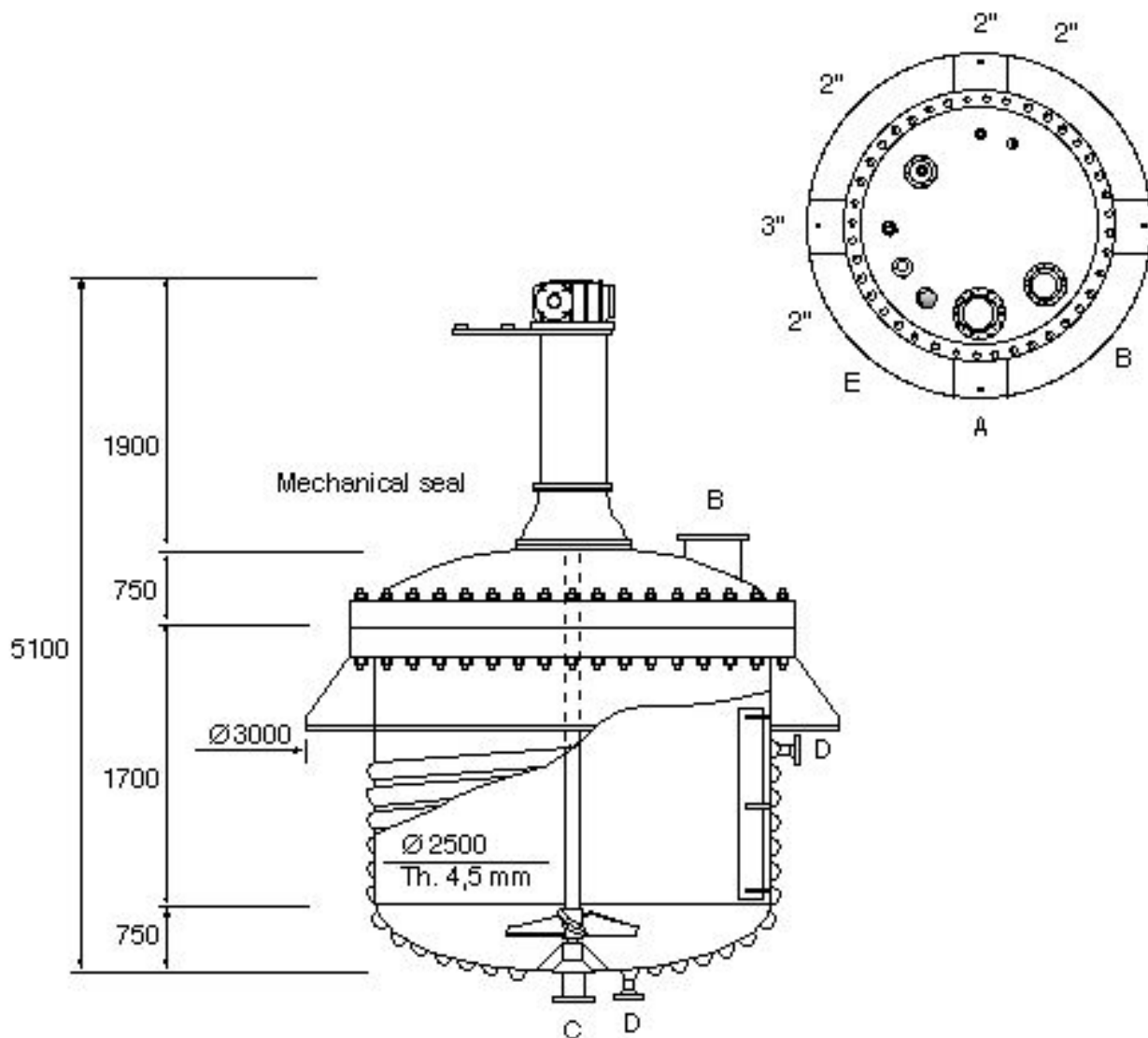


COPRINOX

AGITATED VESSEL

Code n° **RAS 130 1262**

Location ref: 08 S1

CAPACITY LITERS **13.000**

SHELL SIDE

JACKET/COIL SIDE

Design Pressure KG/cm²
Design Temperature °C
Material

AISI 316

AISI 304

ANCC or ISPESL certification: **NOT**
Availability in stock n° **01** units

NOZZLE DIMENSIONS

Pos	Service	Size inch.
A	Man hole	14"
B	Vapours outlet	12"
C	Bottom discharge	4"
D	Heating medium in-out	2"
E	Sight glass	6"

MANUFACTURER: **SIAI LERICI** USED
 USED RECONDITIONED
 UNUSED

NOTE

WEIGHT (approx) Kg