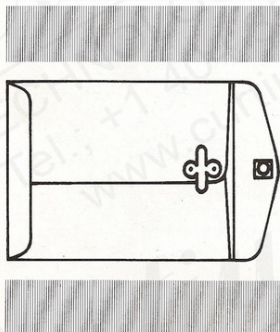
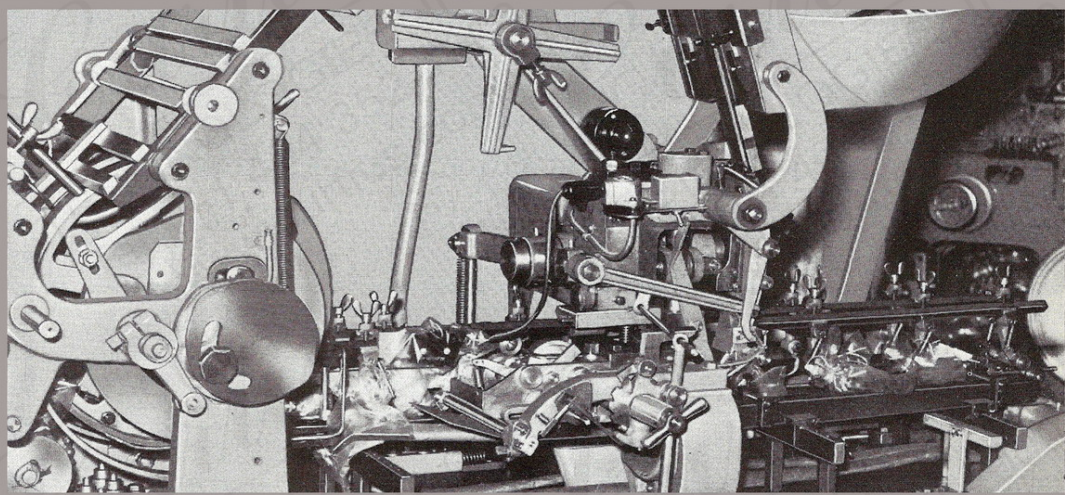


# WINKLER+ DÜNNEBIER

# WD

## 840



### Rotary Metal Claps and Eyeletting Machine



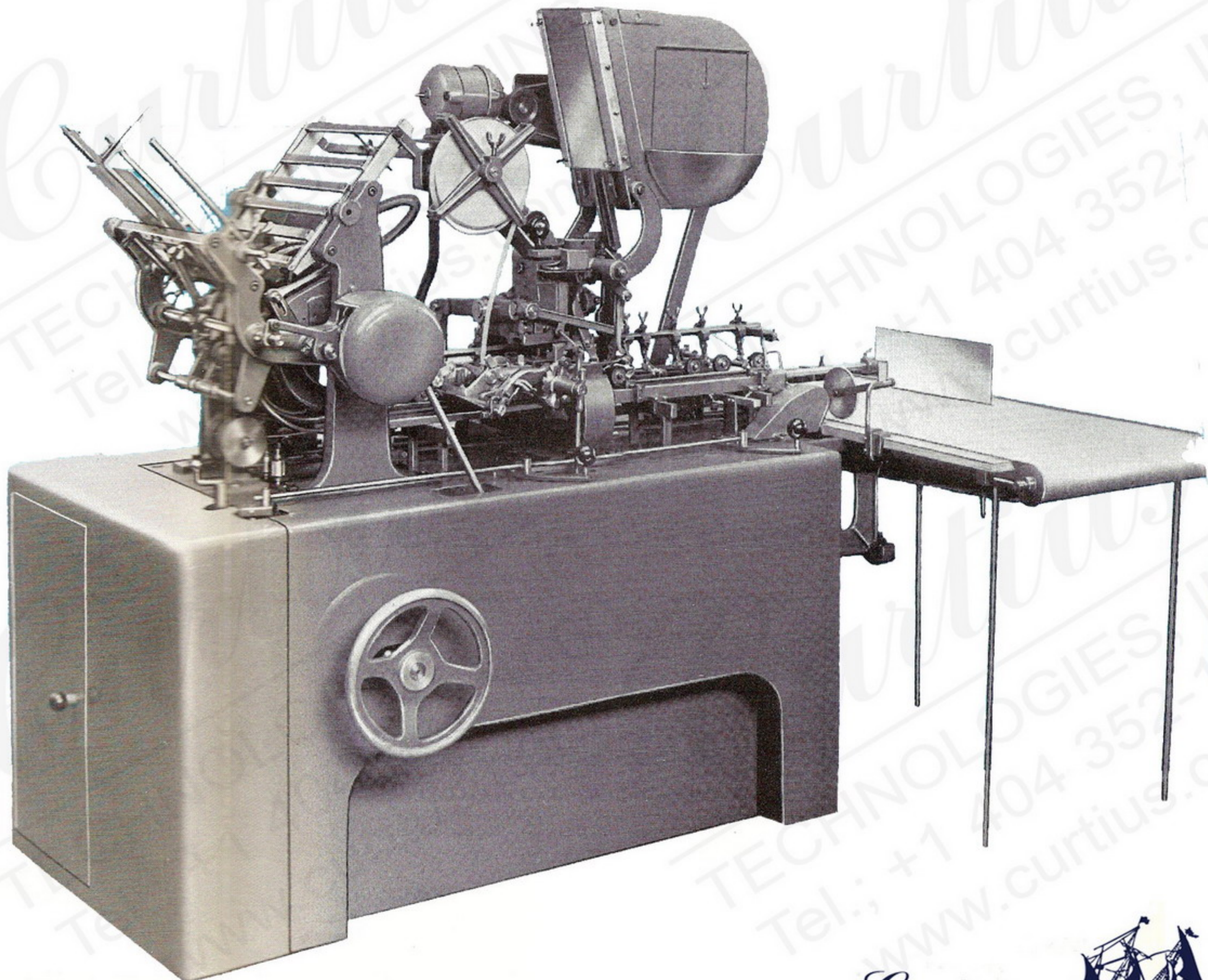


## Rotary Metal Claps and Eyeletting Machine

HELIOS 840

of a precision guiding bar they are brought onto the pocket and fixed. The eyelets are cut from a pre-gummed cardboard reel and fixed on the seal flap.

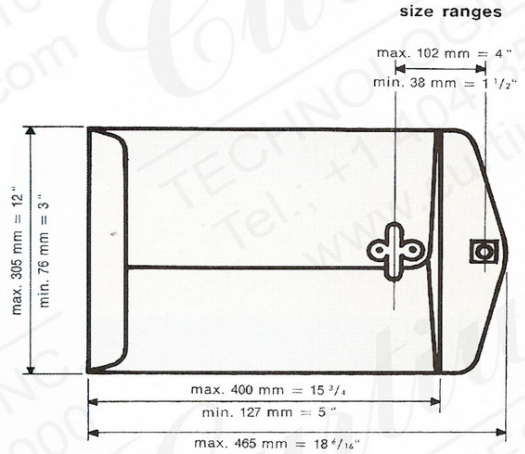
Outstanding features of this machine are its simple operation and its compact, space-saving construction. Size changes can be made within a few minutes. In this way the economical production of small runs is possible.



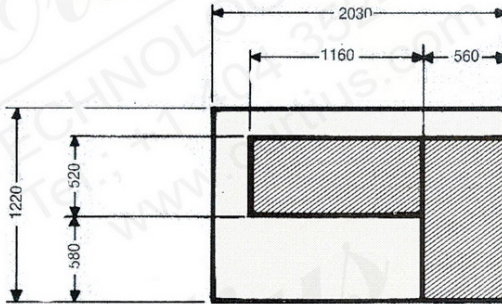


# Rotary Metal Claps and Eyeletting Machine

## HELIOS 840



### floor space required



100  
3,5 kVA  
600 kg

max. output pieces per minute  
power required abt.  
net weight abt.

