

SOUTH SIDE VIEW
SCALE: 1/2"=1'-0"

CONNECTION SCHEDULE

A 1ST STAGE INLET TO SCRUBBER 8" 600# RF	F INSTRUMENT AIR SUPPLY 1" 3000# NPT	K ENGINE JACKET WATER OUTLET 8" 150# RF	P ENGINE LUBE OIL SUPPLY 1" 3000# NPT	U TANK COOLER OUTLET 2 1/2" 150# RF
B 1ST STAGE OUTLET TO COOLER 6" 600# RF	G SKID CONTAINMENT DRAIN CONNECTION 2" 2000# NPT (TYP. 4)	L ENGINE JACKET WATER INLET 8" 150# RF	Q COMP LUBE OIL SUPPLY 1" 3000# NPT	
C 1ST STAGE SCRUBBER LIQUID OUTLET 1" 300# RF	H STARTER EXHAUST (TO ATMOS) 3" 150# RF	M EXHAUST 14" 150# RF	R ENGINE OIL DRAIN 2" 150# RF	
D RECYCLE FROM COOLER DISCHARGE 4" 600# RF	I STARTER SUPPLY 1 1/2" 150# RF	N FUEL GAS SUPPLY 2" 150# RF	S COMP OIL DRAIN 2" 3000# NPT	
E PSV VENT CONNECTION 4" 150# RF	J DRIP POT VENT 1" SCH 40 NPT	O FG SCRUBBER LIQUIDS 1" 3000# NPT	T TANK COOLER INLET 2 1/2" 150# RF	

CERTIFIED PROJECT MANAGER
NAME: _____ DATE: _____
O.P. CODE

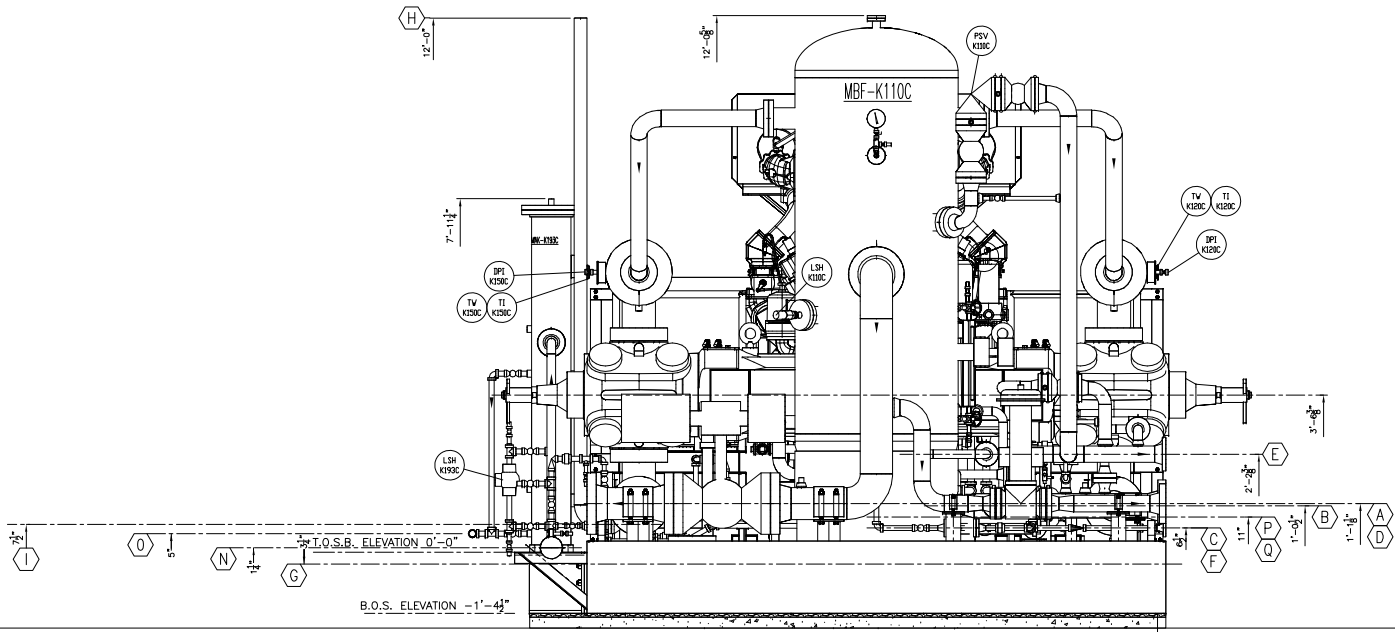
REVISION HISTORY		DESCRIPTION
NO.	DATE	DESCRIPTION
0	6/13/17	ISSUED FOR CUSTOMER APPROVAL
1	7/17/17	REVISED AS NOTED
2	8/21/17	REVISED AS NOTED
3	8/21/17	REVISED AS NOTED
4	3/25/18	AS BUILT

DATE:	ISSUED BY:	DATE:	ISSUED BY:
6/13/17	W. BOURQUE	3/25/18	W. BOURQUE

PROJECT NO.:	ISSUE NO.:
18-00000000	3 OF 6

PROJECT NAME:	ISSUE NO.:
PPING LUMIN-SOUTH SIDE VIEW	3 OF 6

PROJECT NO.:	ISSUE NO.:
18-00000000	3 OF 6



EAST SIDE VIEW

SCALE: 3/4"=1'-0"

CONNECTION SCHEDULE

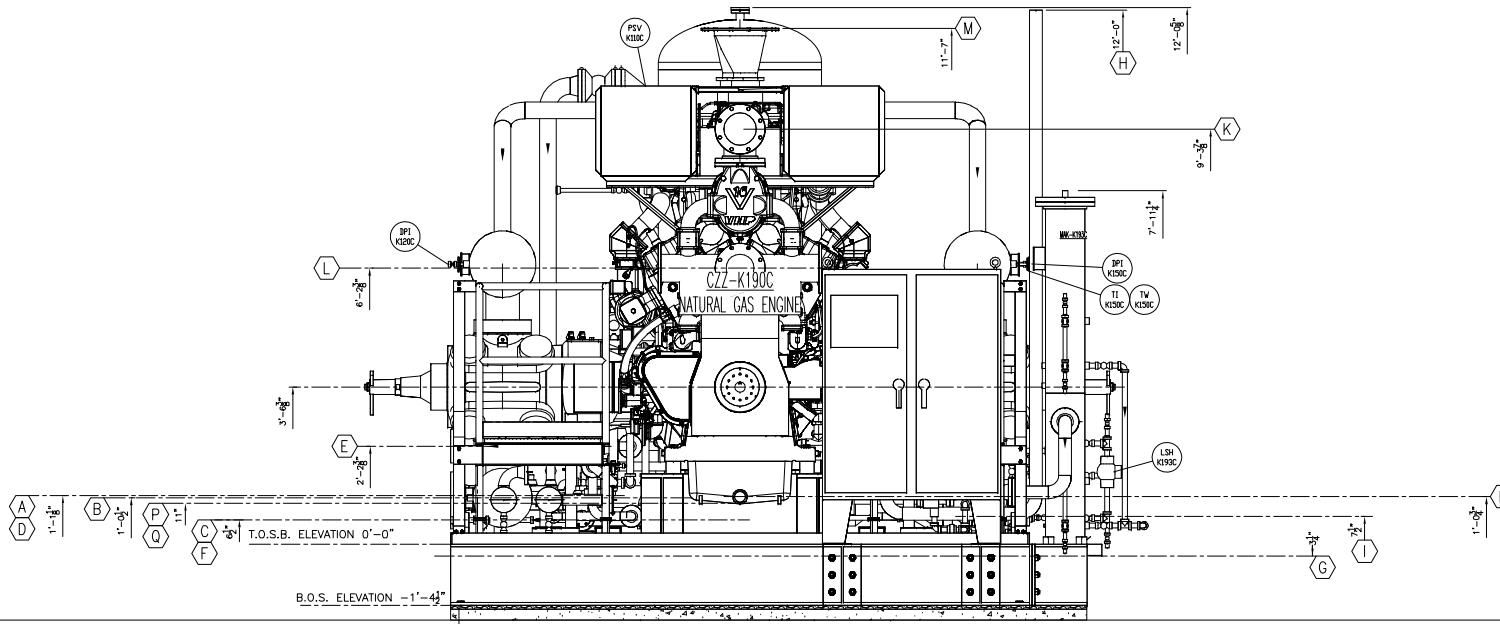
A 1ST STAGE INLET TO SCRUBBER 8" 600# RF	F INSTRUMENT AIR SUPPLY 1" 3000# NPT	K ENGINE JACKET WATER OUTLET 8" 150# RF	P ENGINE LUBE OIL SUPPLY 1" 3000# NPT	U TANK COOLER OUTLET 2 1/2" 150# RF
B 1ST STAGE OUTLET TO COOLER 6" 600# RF	G SKID CONTAINMENT DRAIN CONNECTION 2" 2000# NPT (TYP. 4)	L ENGINE JACKET WATER INLET 8" 150# RF	Q COMP LUBE OIL SUPPLY 1" 3000# NPT	
C 1ST STAGE SCRUBBER LIQUID OUTLET 1" 300# RF	H STARTER EXHAUST (TO ATMOS) 3" 150# RF	M EXHAUST 14" 150# RF	R ENGINE OIL DRAIN 2" 150# RF	
D RECYCLE FROM COOLER DISCHARGE 4" 600# RF	I STARTER SUPPLY 1 1/2" 150# RF	N FUEL GAS SUPPLY 2" 150# RF	S COMP OIL DRAIN 2" 3000# NPT	
E PSV VENT CONNECTION 4" 150# RF	J DRIP POT VENT 1" SCH 40 NPT	O FG SCRUBBER LIQUIDS 1" 3000# NPT	T TANK COOLER INLET 2 1/2" 150# RF	

CERTIFIED PROJECT MANAGER
NAME: _____ DATE: _____
O.P. CODE

REVISION HISTORY		DESCRIPTION
NO.	DATE	BY
0	5/13/17	SMK
1	7/17/17	SMK
2	8/21/17	SMK
3	8/21/17	SMK
4	3/25/18	SMK

DATE	BY	DESCRIPTION
5/13/17	SMK	ISSUED FOR CUSTOMER REVIEW
6/13/17	SMK	ISSUED FOR CONSTRUCTION
7/17/17	SMK	REVISED AS NOTED
8/21/17	SMK	REVISED AS NOTED
8/21/17	SMK	REVISED AS NOTED
3/25/18	SMK	AS BUILT

FORM NO.	REV. NO.	DATE	BY	DESCRIPTION
MBF-K110C	1	5/13/17	SMK	ISSUED FOR CUSTOMER REVIEW
MBF-K110C	2	6/13/17	SMK	ISSUED FOR CONSTRUCTION
MBF-K110C	3	7/17/17	SMK	REVISED AS NOTED
MBF-K110C	4	8/21/17	SMK	REVISED AS NOTED
MBF-K110C	5	8/21/17	SMK	REVISED AS NOTED
MBF-K110C	6	3/25/18	SMK	AS BUILT



WEST SIDE VIEW
SCALE: 3/4"=1'-0"

CONNECTION SCHEDULE

A 1ST STAGE INLET TO SCRUBBER 8" 600# RF	F INSTRUMENT AIR SUPPLY 1" 3000# NPT	K ENGINE JACKET WATER OUTLET 8" 150# RF	P ENGINE LUBE OIL SUPPLY 1" 3000# NPT	U TAW COOLER OUTLET 2 1/2" 150# RF
B 1ST STAGE OUTLET TO COOLER 6" 600# RF	G SKID CONTAINMENT DRAIN CONNECTION 2" 2000# NPT (TYP. 4)	L ENGINE JACKET WATER INLET 8" 150# RF	Q COMP LUBE OIL SUPPLY 1" 3000# NPT	
C 1ST STAGE SCRUBBER LIQUID OUTLET 1" 300# RF	H STARTER EXHAUST (TO ATMOS) 3" 150# RF	M EXHAUST 14" 150# RF	R ENGINE OIL DRAIN 2" 150# RF	
D RECYCLE FROM COOLER DISCHARGE 4" 600# RF	I STARTER SUPPLY 1 1/2" 150# RF	N FUEL GAS SUPPLY 2" 150# RF	S COMP OIL DRAIN 2" 3000# NPT	
E PSV VENT CONNECTION 4" 150# RF	J DRIP POT VENT 1" SCH 40 NPT	O FG SCRUBBER LIQUIDS 1" 3000# NPT	T TAW COOLER INLET 2 1/2" 150# RF	

CERTIFIED PROJECT MANAGER
NAME: _____ DATE: _____

O.P. CODE

REVISION HISTORY		DESCRIPTION
NO.	DATE	DESCRIPTION
0	6/13/17	ISSUED FOR CONSTRUCTION
1	7/17/17	REVISED AS NOTED
2	8/21/17	REVISED AS NOTED
3	8/21/17	REVISED AS NOTED
4	3/25/18	AS BUILT

DATE	BY	CHKD BY	APPROV BY
6/13/17	SPK	SPK	SPK
7/17/17	SPK	SPK	SPK
8/21/17	SPK	SPK	SPK
8/21/17	SPK	SPK	SPK
3/25/18	SPK	SPK	SPK

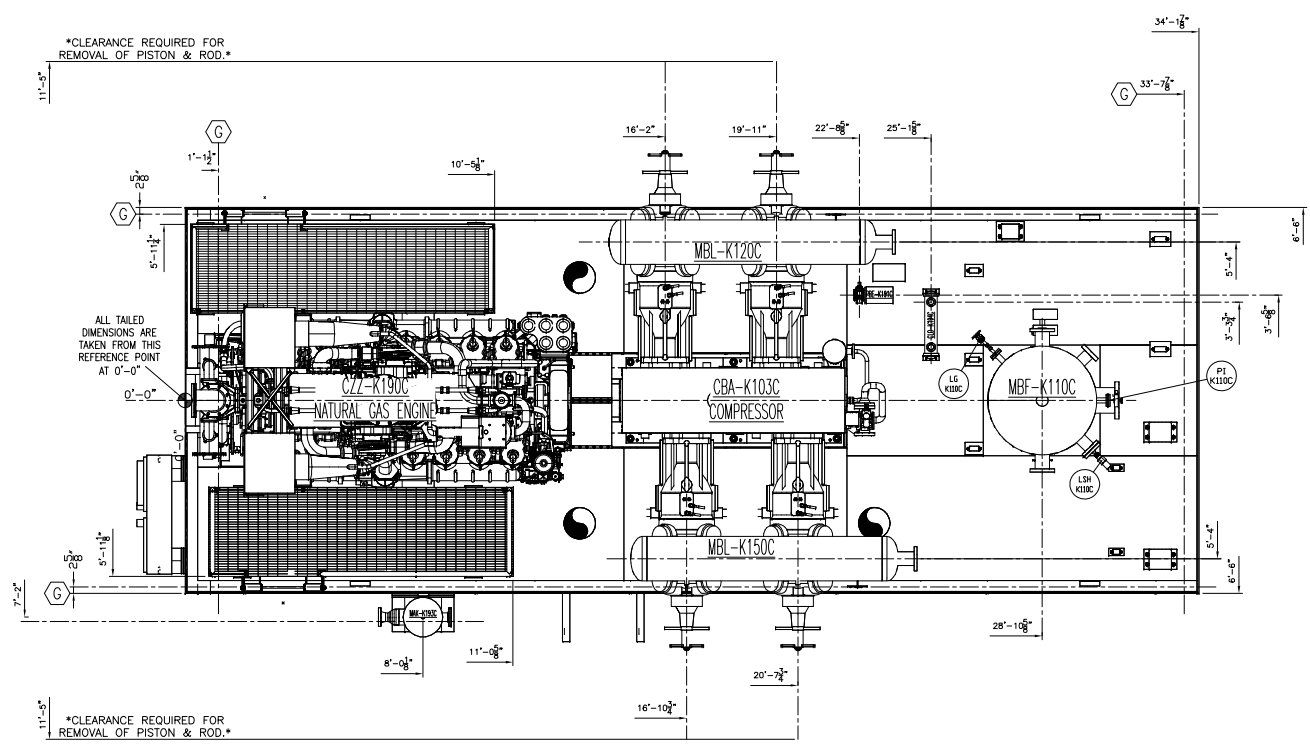
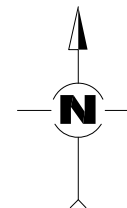
DATE	BY	CHKD BY	APPROV BY
6/13/17	SPK	SPK	SPK
7/17/17	SPK	SPK	SPK
8/21/17	SPK	SPK	SPK
8/21/17	SPK	SPK	SPK
3/25/18	SPK	SPK	SPK

DATE	BY	CHKD BY	APPROV BY
6/13/17	SPK	SPK	SPK
7/17/17	SPK	SPK	SPK
8/21/17	SPK	SPK	SPK
8/21/17	SPK	SPK	SPK
3/25/18	SPK	SPK	SPK

NEW MEXICO
STATE OF NEW MEXICO
COUNTY OF SERRANO
CUSTOMER

DATE: 6/13/17
BY: SPK
CHKD BY: SPK
APPROV BY: SPK

SCALE: 3/4"=1'-0"



PLAN VIEW
SCALE: 1/2"=1'-0"

REV. NO.	DESCRIPTION

NO.	DATE	BY	CHK'D	APP'D	DESCRIPTION
0	6/13/17	SM	SM	SM	ISSUED FOR CONSTRUCTION
1	7/17/17	SM	SM	SM	REVISED AS NOTED
2	8/21/17	SM	SM	SM	REVISED AS NOTED
3	8/21/17	SM	SM	SM	REVISED AS NOTED
4	3/25/18	SM	SM	SM	AS BUILT

PIPING LAYOUT PLAN FOR GOVERNMENT LAYOUT NAME: <u> </u> TITLE: <u> </u> DATE: <u> </u>	SHEET NO. <u> </u> OF <u> </u>
--	---

CERTIFIED PROJECT MANAGER
NAME: _____ DATE: _____

O.P. CODE

CONNECTION SCHEDULE

- | | | | | |
|---|---|---|---|---|
| A 1ST STAGE INLET TO SCRUBBER
8" 600# RF | F INSTRUMENT AIR SUPPLY
1" 3000# NPT | K ENGINE JACKET WATER OUTLET
8" 150# RF | P ENGINE LUBE OIL SUPPLY
1" 3000# NPT | U TANK COOLER OUTLET
2 1/2" 150# RF |
| B 1ST STAGE OUTLET TO COOLER
6" 600# RF | G SKID CONTAINMENT DRAIN CONNECTION
2" 2000# NPT (TYP. 4) | L ENGINE JACKET WATER INLET
8" 150# RF | Q COMP LUBE OIL SUPPLY
1" 3000# NPT | |
| C 1ST STAGE SCRUBBER LIQUID OUTLET
1" 300# RF | H STARTER EXHAUST (TO ATMOS)
3" 150# RF | M EXHAUST
14" 150# RF | R ENGINE OIL DRAIN
2" 150# RF | |
| D RECYCLE FROM COOLER DISCHARGE
4" 600# RF | I STARTER SUPPLY
1 1/2" 150# RF | N FUEL GAS SUPPLY
2" 150# RF | S COMP OIL DRAIN
2" 3000# NPT | |
| E PSV VENT CONNECTION
4" 150# RF | J DRIP POT VENT
1" SCH 40 NPT | O FG SCRUBBER LIQUIDS
1" 3000# NPT | T TANK COOLER INLET
2 1/2" 150# RF | |

NEW MEXICO
GOVERNMENT
CUSTOMER