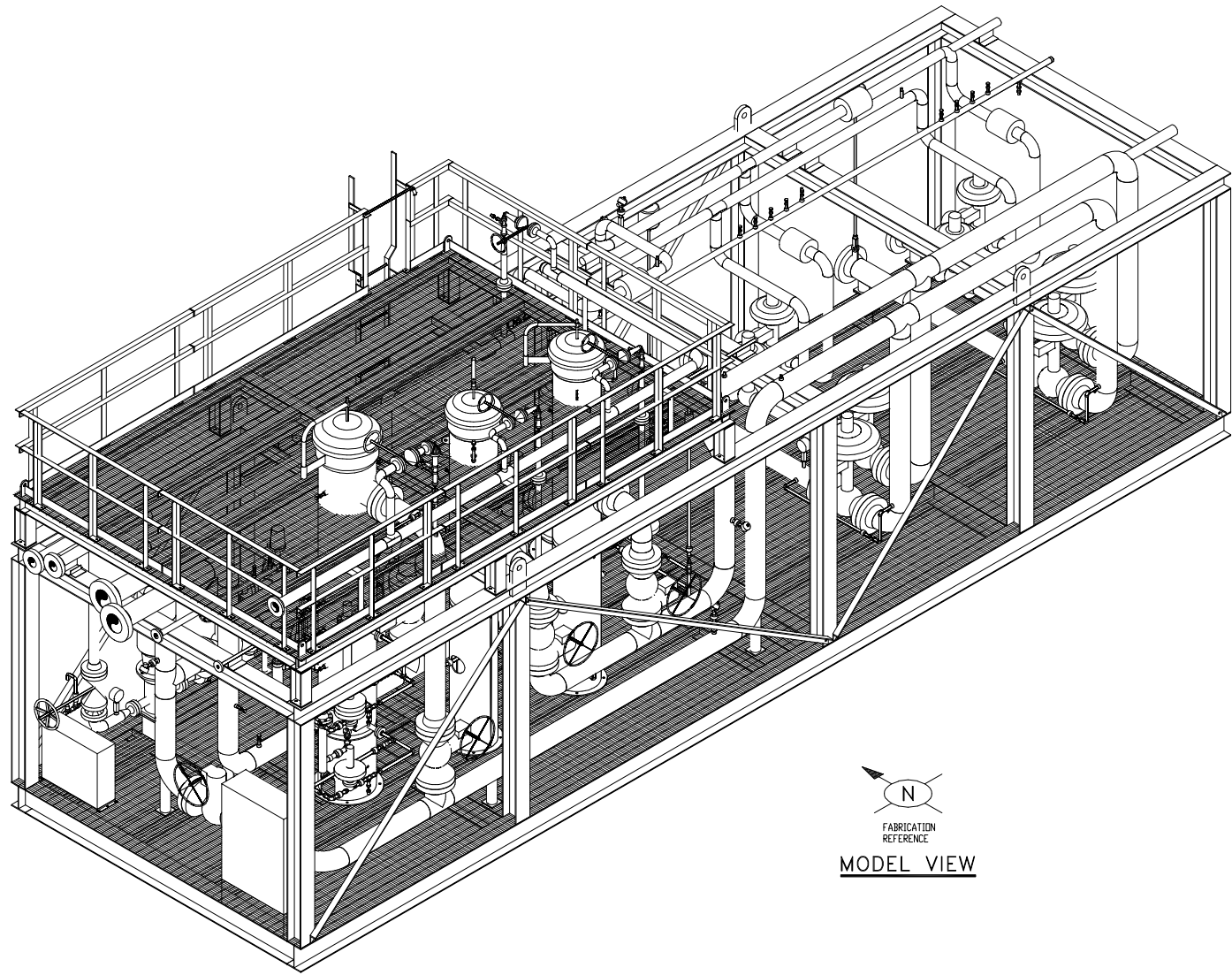


INLET FILTER/DEHY. SKID #1

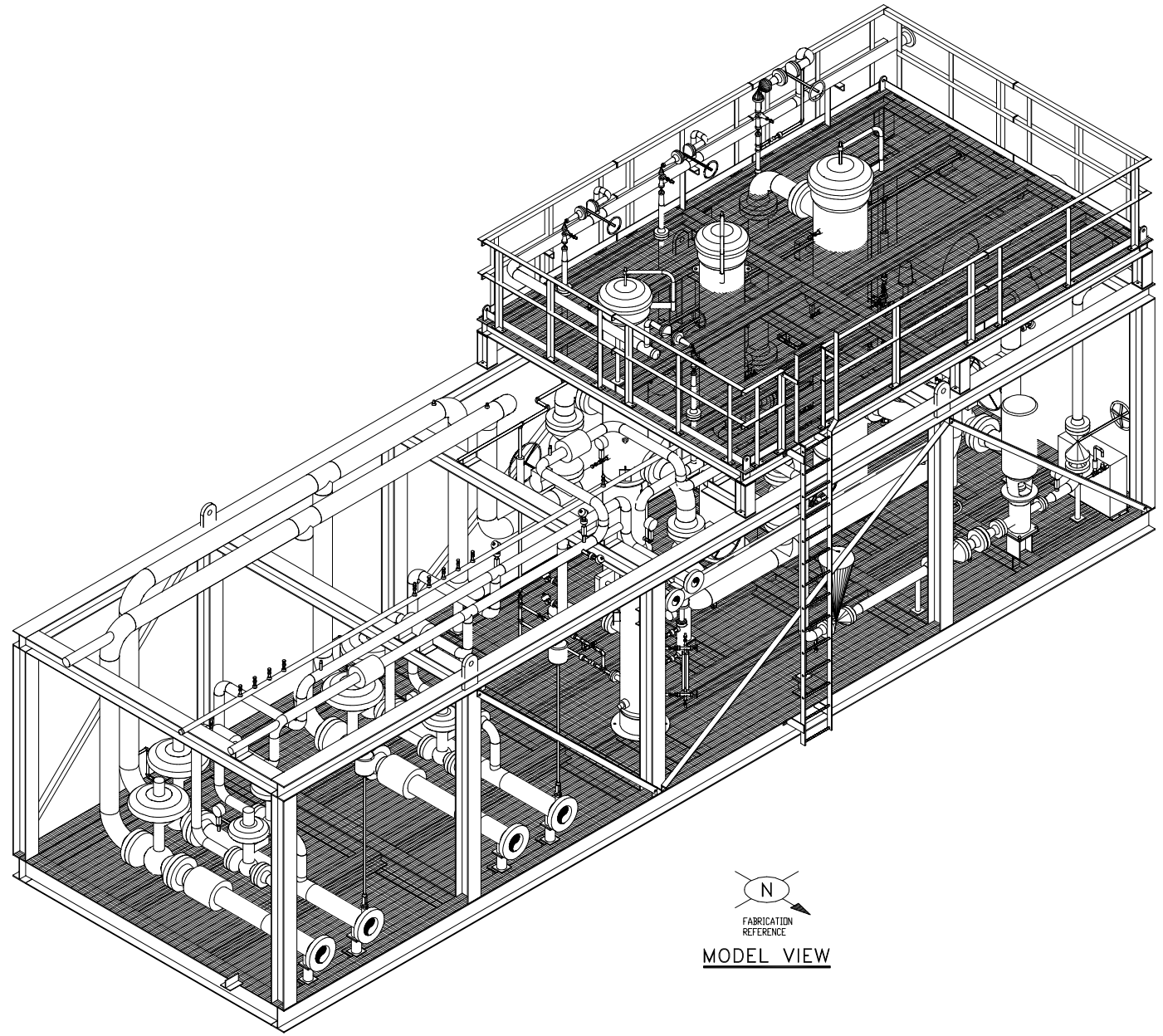
APPROX. SHIPPING WT:
 SKID SHIPPING WT. = 64,596 #
 SKID TOTAL WT. = 80,890 #

APPROX. SHIPPING DIMENSIONS:
 SKID = 46'-8"L. x 14'-8"W. x 13'-6"H.

SHIP LOOSE ITEMS:
 MISC. STRUC. = 5300 #
 F-441 = 5200 #
 F-445 = 3300 #
 F-446 = 3300 #
 HANDRAILS = 1320 #
 PLATFORMS = #
 LADDER = 222 #



N
 FABRICATION
 REFERENCE
MODEL VIEW



N
 FABRICATION
 REFERENCE
MODEL VIEW

J-447
 12/16/16
 IFC

UOP RUSSELL STANDARD
 STANDARD 60MM CRYO PLANT
 PIPING ISOMETRIC VIEWS
 INLET FILTER/DEHYDRATION SKID #1

UOP RUSSELL
 7050 S. York, Suite 210
 Tulsa, Oklahoma 74136
 Phone: 918-481-5882
 Fax: 918-481-7927

OK P.E.# 4327
 NY COM# 032745-00
 TX P.E.# F-751

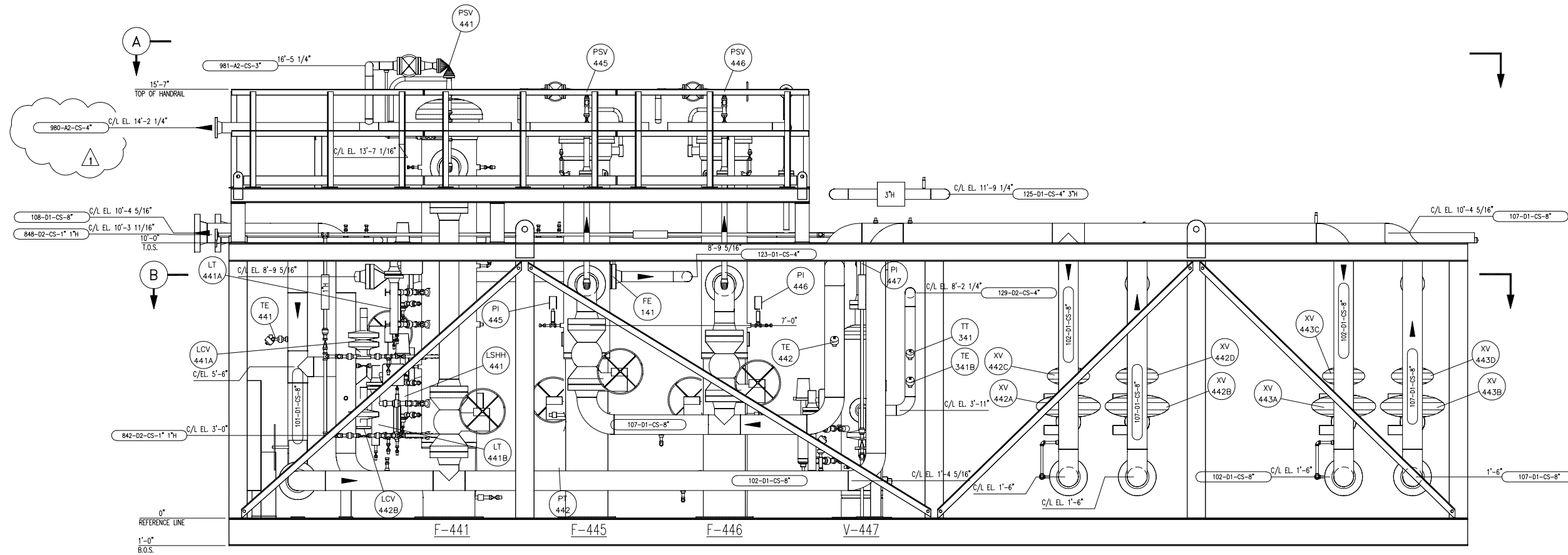
REV.	DATE	BY	APP'D	DATE	DESCRIPTION
0	05-31-11	PLC			ISSUED FOR CONSTRUCTION.
	06-20-11	LH			

REVISIONS

SCALE: NOTED

DRAWING NO: SC6-401A

CONFIDENTIALITY STATEMENT
 THIS DRAWING CONTAINS CERTAIN PROPRIETARY INFORMATION THAT IS THE PROPERTY OF UOP RUSSELL, LLC. THIS DRAWING IS PROVIDED FOR THE SOLE PURPOSE OF MAINTAINING AND/OR OPERATING THE PLANT AND/OR RELATED EQUIPMENT DESCRIBED HEREIN. THE INFORMATION SHALL NOT BE USED FOR ANY OTHER PURPOSES WITHOUT THE WRITTEN PERMISSION OF UOP RUSSELL, LLC. ANY REPRODUCTION OR USE OF THIS DRAWING FOR OTHER THAN OPERATING AND/OR MAINTAINING THE PLANT AND/OR RELATED EQUIPMENT MANUFACTURED BY UOP RUSSELL, LLC WITHOUT THE WRITTEN PERMISSION OF UOP RUSSELL, LLC IS A VIOLATION OF COPYRIGHT AND IS SUBJECT TO CIVIL AND CRIMINAL PENALTIES.



ELEVATION C
SCALE 1/2" = 1'-0"

J-447
12/16/16
IFC

CONFIDENTIALITY STATEMENT
THIS DRAWING CONTAINS CERTAIN PROPRIETARY INFORMATION THAT IS THE PROPERTY OF UOP RUSSELL, LLC. THIS DRAWING IS PROVIDED FOR THE SOLE PURPOSE OF MAINTAINING AND/OR OPERATING THE PLANT AND/OR RELATED EQUIPMENT DESCRIBED HEREIN. THE INFORMATION SHALL NOT BE USED FOR ANY OTHER PURPOSES WITHOUT THE EXPRESS WRITTEN PERMISSION OF UOP RUSSELL, LLC. ANY REPRODUCTION OR USE OF THIS DRAWING FOR ANY OTHER PURPOSES OTHER THAN OPERATING AND/OR MAINTAINING THE PLANT AND/OR RELATED EQUIPMENT MANUFACTURED BY UOP RUSSELL, LLC WITHOUT THE EXPRESS WRITTEN PERMISSION OF UOP RUSSELL, LLC IS A VIOLATION OF UOP RUSSELL, LLC'S PATENT RIGHTS AND IS SUBJECT TO CIVIL AND CRIMINAL PENALTIES.

REV	DATE	BY	APP'D	DATE	DESCRIPTION
1	10/17/14	DV		10/17/14	REVISED TO CHANGE TAG
0	06-20-11	PLO	LH	06-20-11	ISSUE FOR CONSTRUCTION

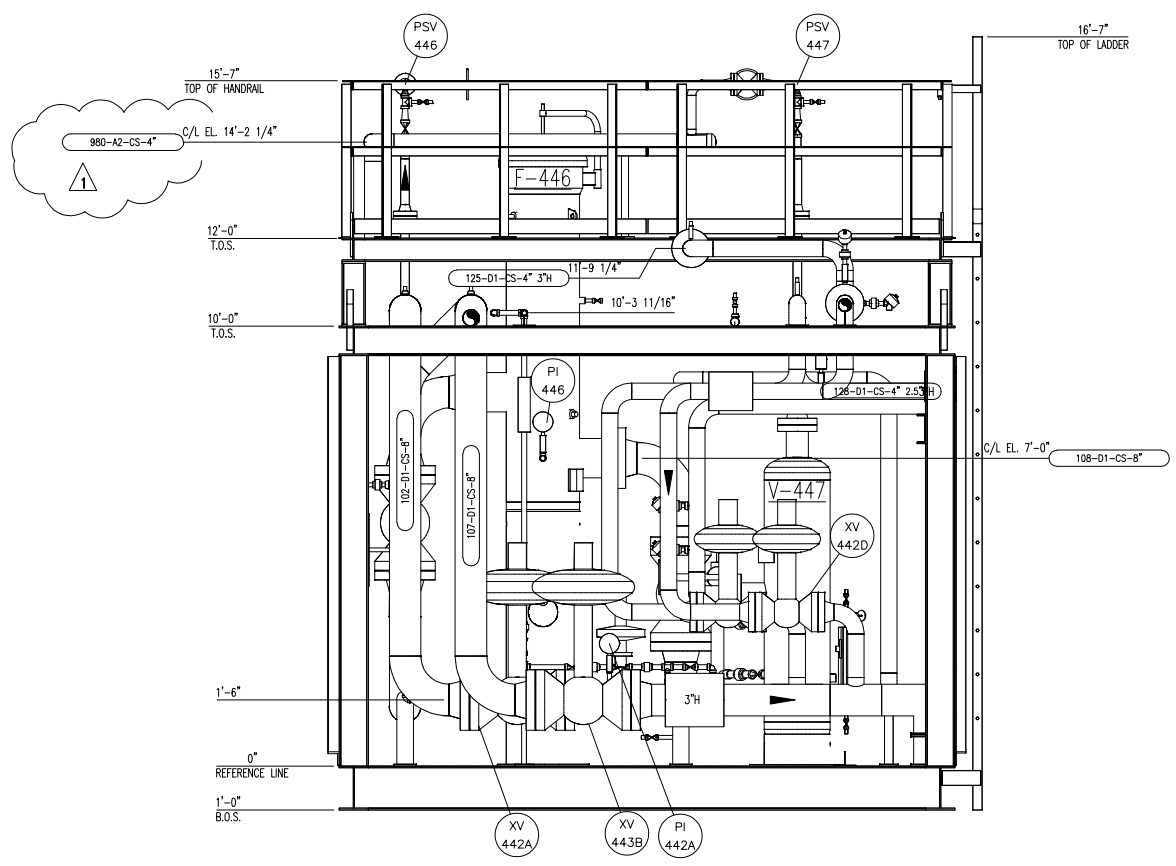
UOP Russell
7650 S. York, Suite 210
Tulsa, Oklahoma 74136
Phone: 918-481-5882
Fax: 918-481-7927

SCALE	DATE	BY	DATE	BY	DATE	BY
NOTED	05-31-11	PLO	06-20-11	DC	06-20-11	KLS

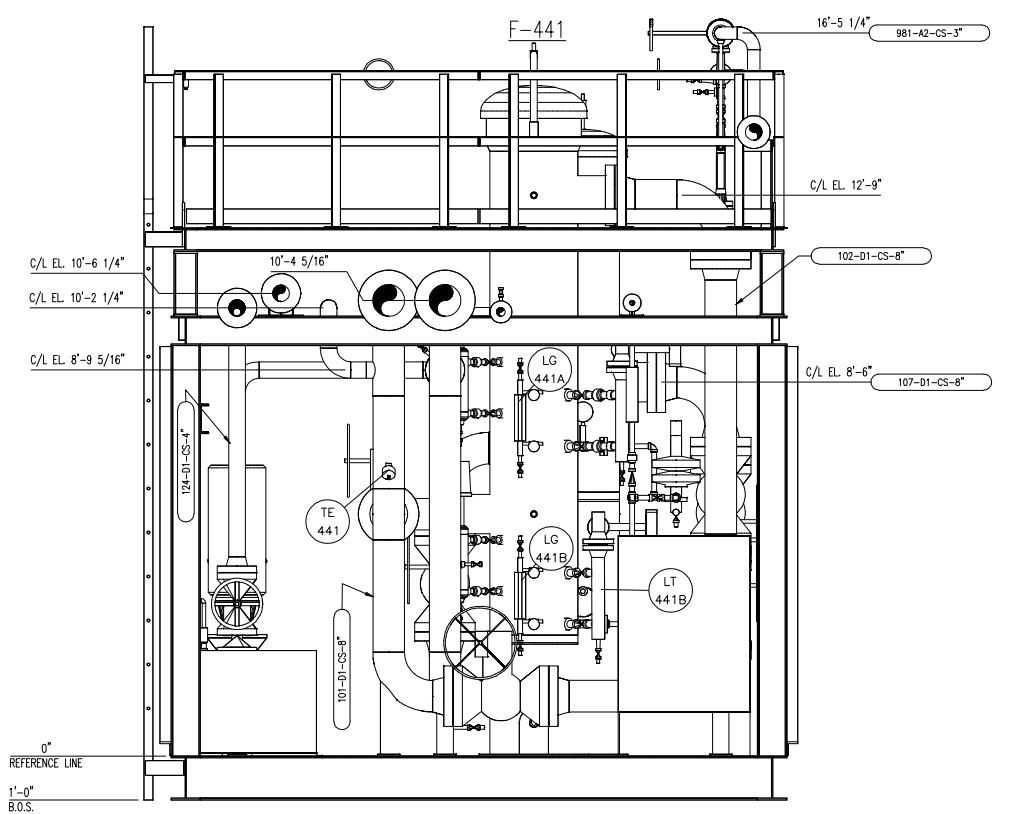
UOP RUSSELL STANDARD
STANDARD 60MM CRYO PLANT
PIPING ELEVATION VIEWS
INLET FILTER/DEHYDRATION SKID #1

OK P.E. # 4327
NY COM# 03745-00
TX P.E. # F-7531

1	SC6-401C	NOTED
---	----------	-------



END VIEW E
SCALE 1/2" = 1'-0"

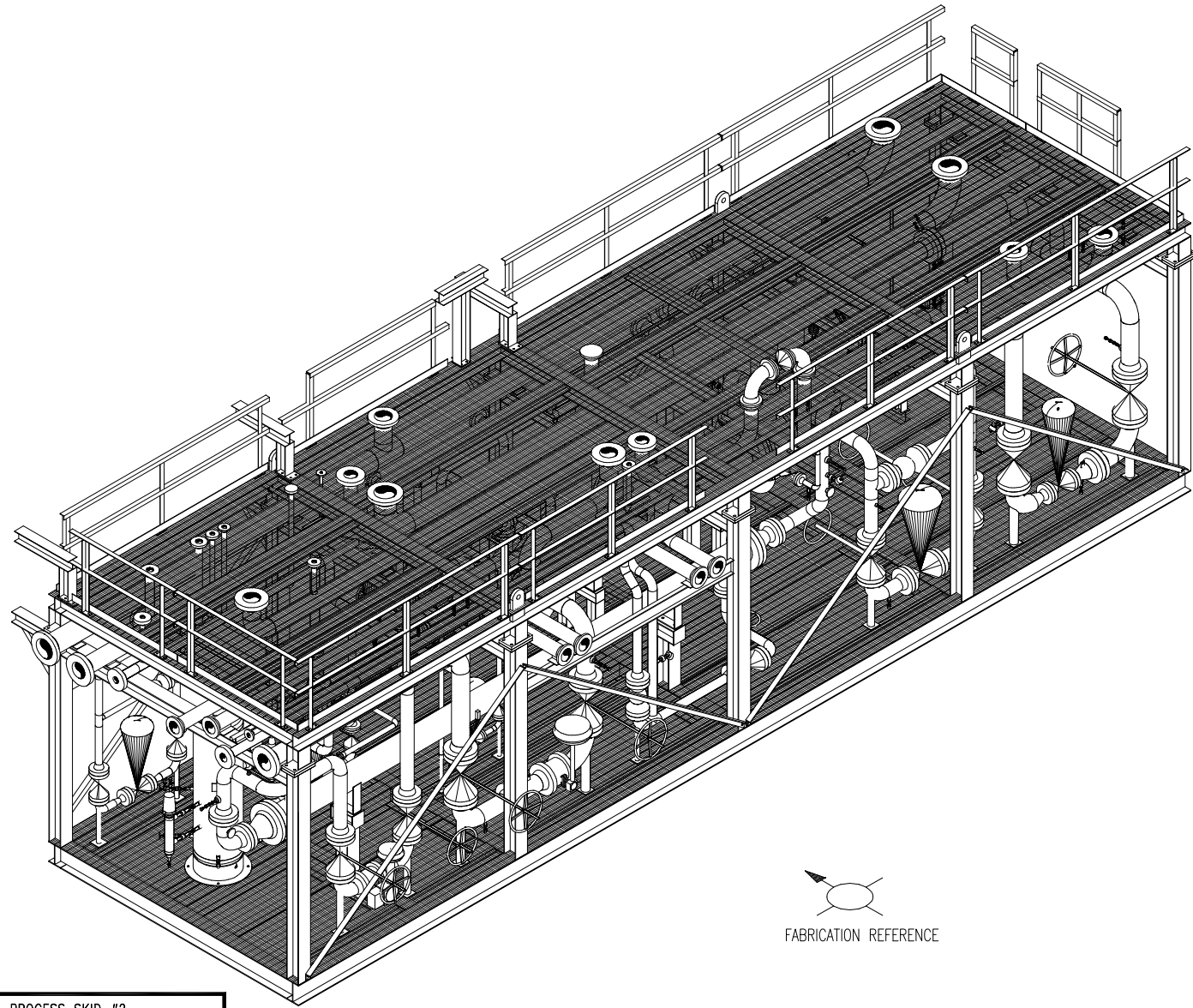


END VIEW F
SCALE 1/2" = 1'-0"

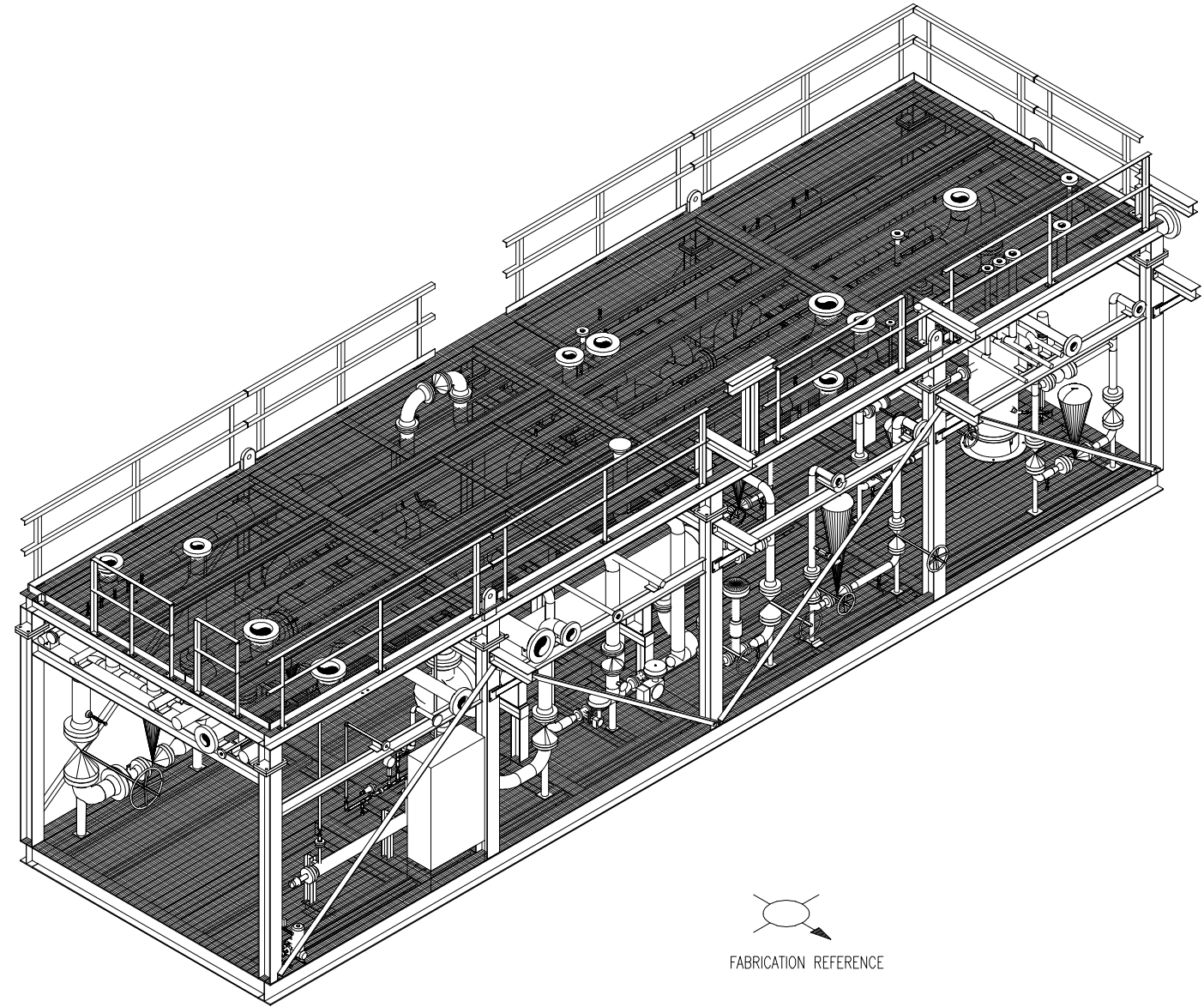
J-447
12/16/16
IFC

UOP RUSSELL STANDARD STANDARD 60MM CRYO PLANT PIPING ELEVATION VIEWS INLET FILTER/DEHYDRATION SKID #1		SCALE NOTED	DATE 05-31-11	BY P.L.O.	DATE 06-20-11	CHKD BY D.C.	DATE 06-20-11	DESIGNED BY K.L.S.	DATE 06-20-11
1	SC6-401E	NOTED	05-31-11	P.L.O.	06-20-11	D.C.	06-20-11	K.L.S.	06-20-11
UOP RUSSELL STANDARD TX P.E.# F-7531		REVISIONS	DESCRIPTION	DATE	APP'D	DATE	BY	DATE	APP'D
1	REVISED TO CHANGE TAG	10/17/14	BL	10/17/14					
0	ISSUED FOR CONSTRUCTION	06-20-11	LH	06-20-11					

CONFIDENTIALITY STATEMENT
THIS DRAWING CONTAINS CERTAIN PROPRIETARY INFORMATION THAT IS THE PROPERTY OF UOP RUSSELL, L.C.
THIS DRAWING IS PROVIDED FOR THE SOLE PURPOSE OF MAINTAINING AND/OR OPERATING THE PLANT AND/OR
RELATED EQUIPMENT DESCRIBED HEREIN. THE INFORMATION SHALL NOT BE USED FOR ANY OTHER PURPOSES
WITHOUT THE WRITTEN PERMISSION OF UOP RUSSELL, L.C. ANY REPRODUCTION OR TRANSMISSION OF
PART OF THIS DRAWING MAY BE REPRODUCED OR USED FOR THE PURPOSES OTHER THAN OPERATING AND/OR
MAINTAINING THE PLANT AND/OR RELATED EQUIPMENT MANUFACTURED BY UOP RUSSELL, L.C. WITHOUT THE
WRITTEN PERMISSION OF UOP RUSSELL, L.C. ANY REPRODUCTION OR TRANSMISSION OF THIS DRAWING
IS A VIOLATION OF COPYRIGHT AND IS SUBJECT TO CIVIL AND CRIMINAL PENALTIES.




FABRICATION REFERENCE




FABRICATION REFERENCE

PROCESS SKID #2

APPROX. SHIPPING WT:
 SKID SHIPPING WT. = 88,469 #
 SKID TOTAL WT. = 106,687 #

APPROX. SHIPPING DIMENSIONS:
 SKID = 52'-1" L. x 14'-6" W. x 13'-6" H.

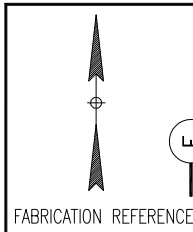
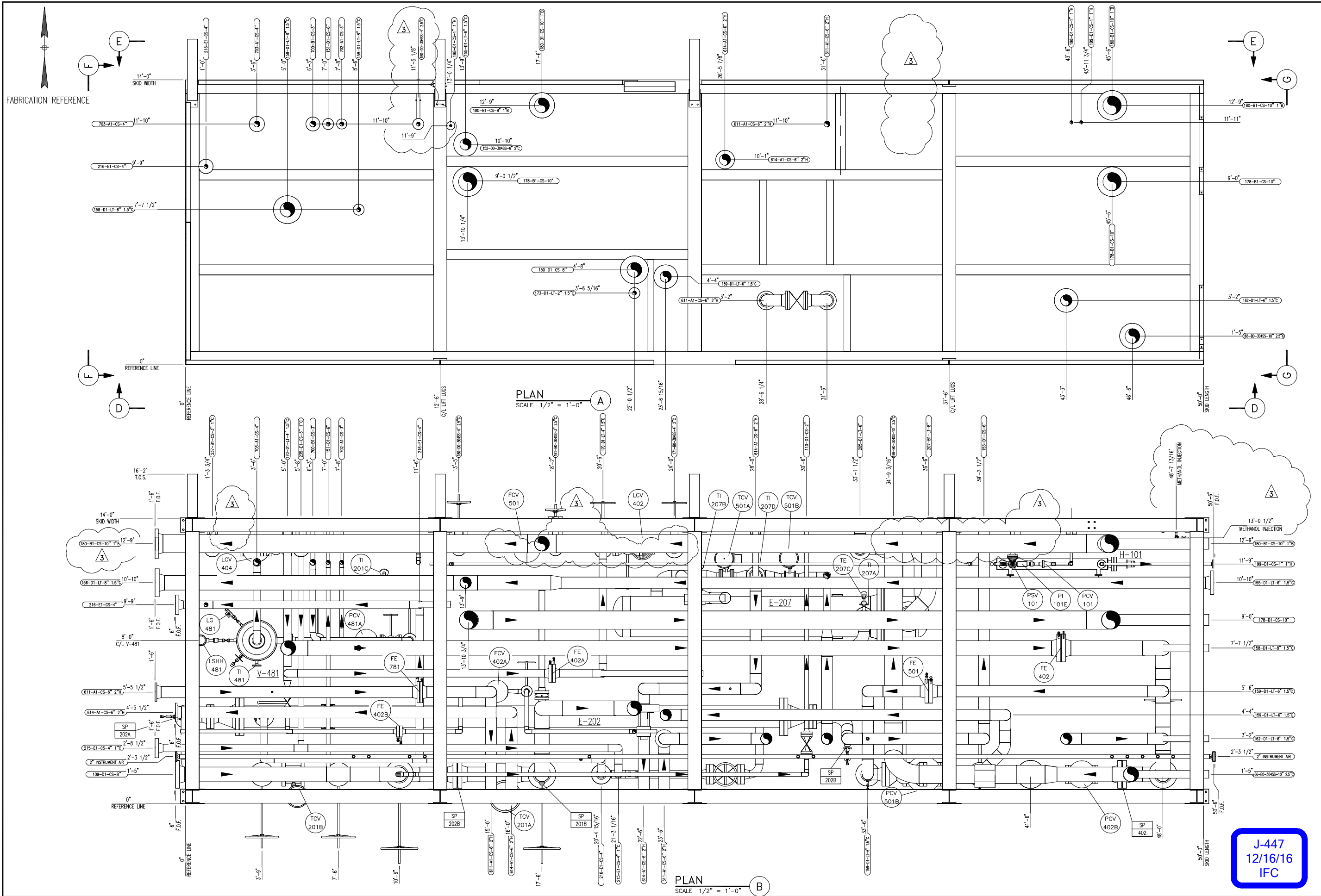
SHIP LOOSE ITEMS:

PLATFORM	=	1,146 #
HANDRAILS	=	1,843 #
LA	=	173 #
STAIRS	=	1,286 #
STAR PL	=	545 #
UPPER SKID	=	14,053 #
PIPE	=	318 #

J-447
12/16/16
IFC

UOP RUSSELL STANDARD STANDARD 60 MM CRTO PLANT ISOMETRIC VIEWS PROCESS SKID #2	OK P.E.# 4327	TX P.E.# F-7531	REVISIONS
SCALE: NONE	APPROVED BY: DC	DATE: 06/17/11	DESCRIPTION
DRAWING NO: SC6-402A	APPROVED BY: ROC	DATE: 06/06/11	1 REVISED FOR STANDARD UPDATE.
DATE: 06/17/11	DATE: 06/17/11	DATE: 06/17/11	0 ISSUE FOR CONSTRUCTION
DATE: 06/17/11	DATE: 06/17/11	DATE: 06/17/11	BY: [Signature]
DATE: 06/17/11	DATE: 06/17/11	DATE: 06/17/11	BY: [Signature]
DATE: 06/17/11	DATE: 06/17/11	DATE: 06/17/11	BY: [Signature]

CONFIDENTIALITY STATEMENT
 THIS DRAWING CONTAINS CERTAIN PROPRIETARY INFORMATION THAT IS THE PROPERTY OF UOP RUSSELL, LLC. THIS DRAWING IS PROVIDED FOR THE SOLE PURPOSE OF MANUFACTURING AND/OR OPERATING THE PLANT AND/OR RELATED EQUIPMENT DESCRIBED HEREIN. THE INFORMATION SHALL NOT BE USED FOR ANY OTHER PURPOSES AND PART OF THIS DRAWING MAY BE REPRODUCED OR USED FOR THE PURPOSES OTHER THAN OPERATING AND/OR MANUFACTURING THE PLANT AND/OR RELATED EQUIPMENT MANUFACTURED BY UOP RUSSELL, LLC WITHOUT THE WRITTEN PERMISSION OF UOP RUSSELL, LLC. UOP RUSSELL, LLC AND ITS AFFILIATED COMPANIES HOLD THE PATENT AND IS A TRADE SECRET AND IS SUBJECT TO CIVIL AND CRIMINAL PENALTIES.



PLAN
SCALE 1/2" = 1'-0"

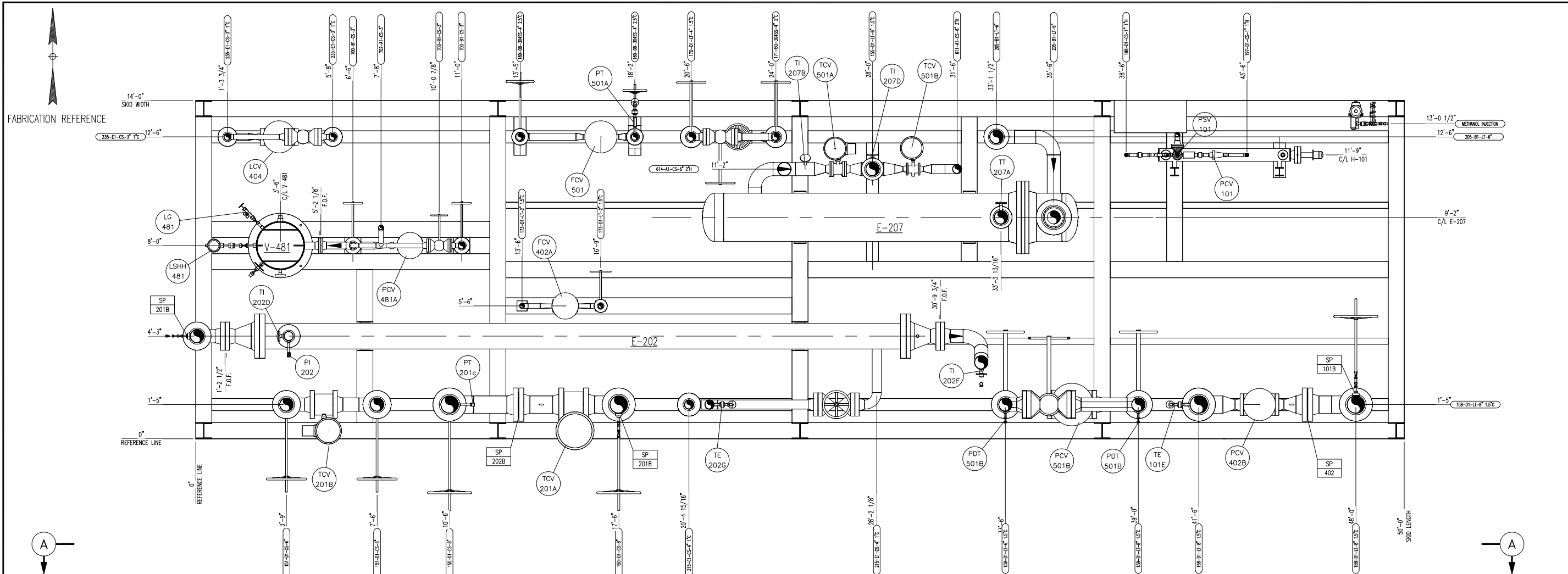
PLAN
SCALE 1/2" = 1'-0"

J-447
12/16/16
IFC

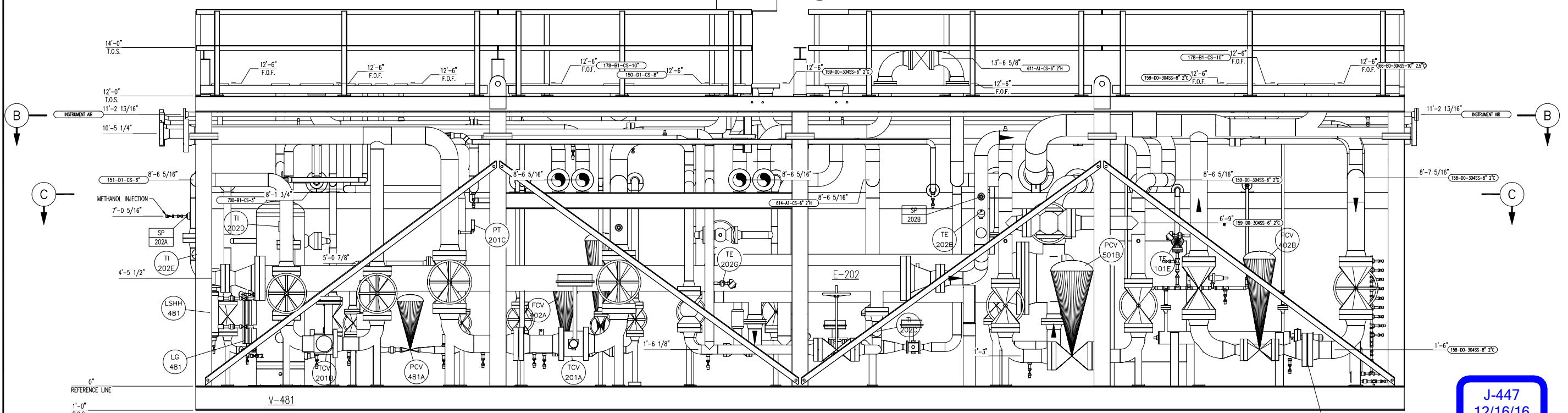
UOP RUSSELL STANDARD STANDARD 60 MM CRYO PLANT PIPING PLANS PROCESS SKID #		DATE	06/17/11
SCALE	1/2" = 1'-0"	DATE	06/17/11
NO.	SC6-402B	DATE	06/17/11
BY	DC	DATE	06/17/11
CHKD BY	KLS	DATE	06/17/11
APPR BY	DC	DATE	06/17/11
ROC		DATE	06/17/11
DATE	06/17/11	DATE	06/17/11
BY	APPD	DATE	06/17/11
DESCRIPTION	REVISIONS	DATE	DATE
1	REVISED TO ADD AND REMOVE DIMENSIONS & FIX ARROWS	10/17/14	BL
2	REVISED TO REMOVE FE-101	02/27/12	LH
3	REVISED FOR STANDARD UPDATE.	02/14/12	LH
0	ISSUE FOR CONSTRUCTION	06/17/11	LH

CONFIDENTIALITY STATEMENT
THIS DRAWING CONTAINS CERTAIN PROPRIETARY INFORMATION THAT IS THE PROPERTY OF UOP RUSSELL, LLC. THIS DRAWING IS PROVIDED FOR THE SOLE PURPOSE OF MAINTAINING AND/OR OPERATING THE PLANT AND/OR RELATED EQUIPMENT DESCRIBED HEREIN. THE INFORMATION SHALL NOT BE USED FOR ANY OTHER PURPOSES WITHOUT THE WRITTEN PERMISSION OF UOP RUSSELL, LLC. ANY REPRODUCTION OR USE OF THIS DRAWING FOR ANY OTHER PURPOSES WITHOUT THE WRITTEN PERMISSION OF UOP RUSSELL, LLC IS STRICTLY PROHIBITED. UOP RUSSELL, LLC ACCEPTS NO LIABILITY FOR ANY DAMAGE, LOSS, OR INJURY, INCLUDING REASONABLE ATTORNEY'S FEES, ARISING FROM THE USE OF THIS DRAWING. UOP RUSSELL, LLC IS A VOLUNTARY COPYRIGHT AND IS SUBJECT TO CIVIL AND CRIMINAL PENALTIES.

UOP RUSSELL
2650 S. York, Suite 210
Tulsa, Oklahoma 74134
Phone: 918-481-5082
Fax: 918-481-7827



PLAN
SCALE 1/2" = 1'-0"



ELEVATION
SCALE 1/2" = 1'-0"

J-447
12/16/16
IFC

CONFIDENTIALITY STATEMENT
THIS DRAWING CONTAINS CERTAIN PROPRIETARY INFORMATION THAT IS THE PROPERTY OF UOP RUSSELL, LLC. THIS DRAWING IS PROVIDED FOR THE SOLE PURPOSE OF MAINTAINING AND/OR OPERATING THE PLANT AND/OR RELATED EQUIPMENT DESCRIBED HEREIN. THE INFORMATION SHALL NOT BE USED FOR ANY OTHER PURPOSES WITHOUT THE WRITTEN PERMISSION OF UOP RUSSELL, LLC. ANY REPRODUCTION OR TRANSMISSION OF THIS DRAWING OR ANY PART OF THIS DRAWING OR ANY INFORMATION CONTAINED HEREIN FOR ANY PURPOSES OTHER THAN OPERATING AND/OR MAINTAINING THE PLANT AND/OR RELATED EQUIPMENT MANUFACTURED BY UOP RUSSELL, LLC WITHOUT THE WRITTEN PERMISSION OF UOP RUSSELL, LLC IS STRICTLY PROHIBITED AND IS SUBJECT TO CIVIL AND CRIMINAL PENALTIES.

REV.	DATE	BY	APP'D	DATE	DESCRIPTION	REVISIONS
1	06/17/11	LH		02/14/12	REVISED FOR STANDARD UPDATE.	
0	06/17/11	LH		06/17/11	ISSUE FOR CONSTRUCTION	

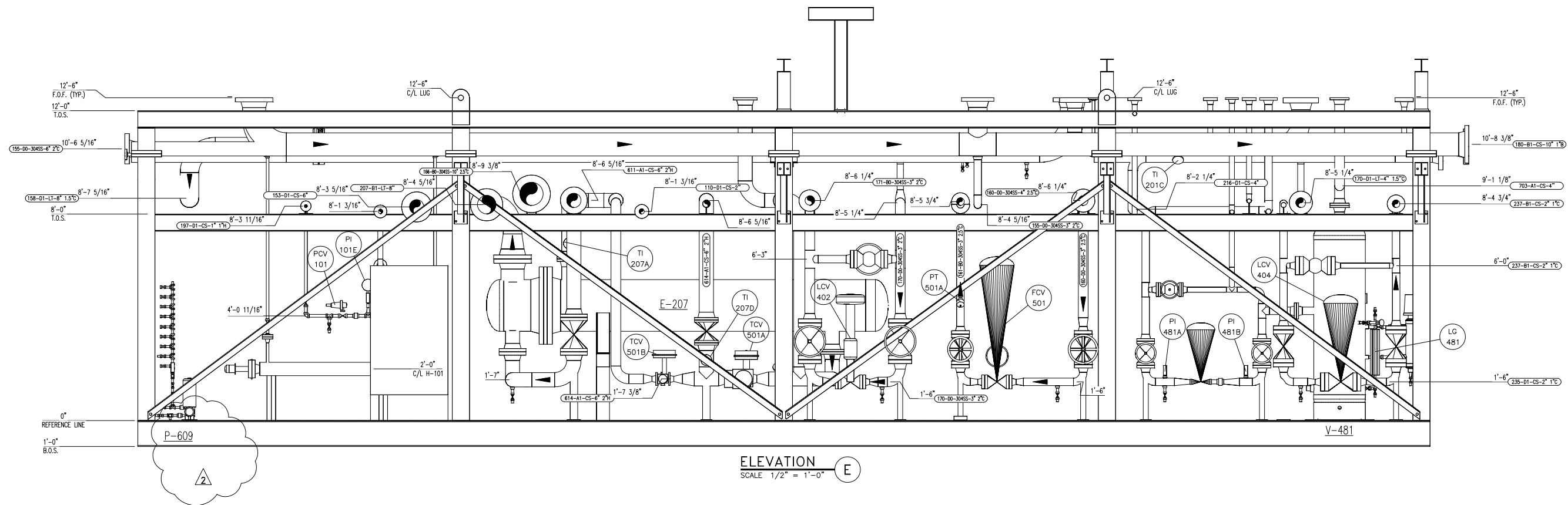
UOP RUSSELL STANDARD
STANDARD 60 MM CRYO PLANT
PIPING PLAN & ELEVATION
PROCESS SKID #2

SCALE 1/2" = 1'-0"

DRWING NO. SC6-402C

OK P.E. # 427

UOP Russell
7050 S. York, Suite 210
Tulsa, Oklahoma 74136
Phone: 918-481-5882
Fax: 918-481-7927



ELEVATION E
SCALE 1/2" = 1'-0"

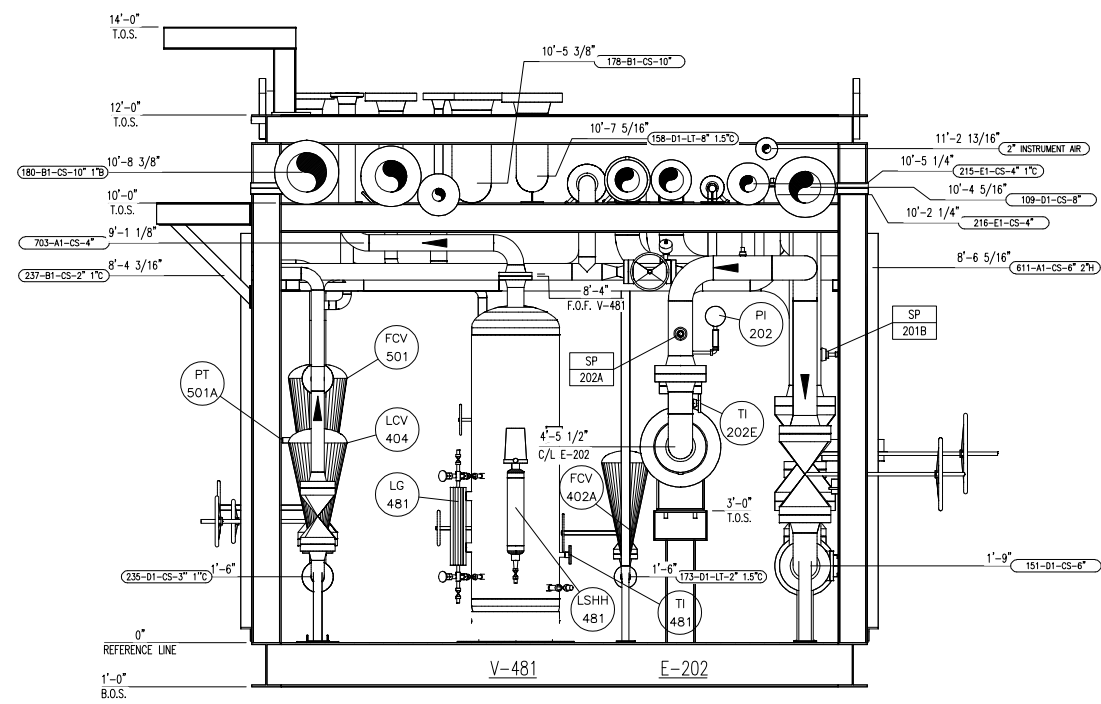
J-447
12/16/16
IFC

UOP RUSSELL STANDARD STANDARD 60 MM. CRTO PLANT PIPING ELEVATION PROCESS SKID #2		DATE	BY	DATE	BY	DATE	BY
SCALE	1/2" = 1'-0"	DATE	06/17/11	DATE	06/17/11	DATE	06/17/11
DRAWING NO.	SC6-402D	DATE	06/06/11	DATE	06/17/11	DATE	06/17/11
REV.	2	DESCRIPTION	REVISED TO ADD P-609 TAG	DATE	10/27/14	BY	APPD
		DESCRIPTION	1 REVISED FOR STANDARD UPDATE.	DATE	02/14/12	BY	APPD
		DESCRIPTION	0 ISSUE FOR CONSTRUCTION	DATE	06/17/11	BY	APPD
		DESCRIPTION	1 REVISED FOR STANDARD UPDATE.	DATE	02/14/12	BY	APPD
		DESCRIPTION	0 ISSUE FOR CONSTRUCTION	DATE	06/17/11	BY	APPD
		DESCRIPTION	2 REVISED TO ADD P-609 TAG	DATE	10/27/14	BY	APPD
		DESCRIPTION	1 REVISED FOR STANDARD UPDATE.	DATE	02/14/12	BY	APPD
		DESCRIPTION	0 ISSUE FOR CONSTRUCTION	DATE	06/17/11	BY	APPD

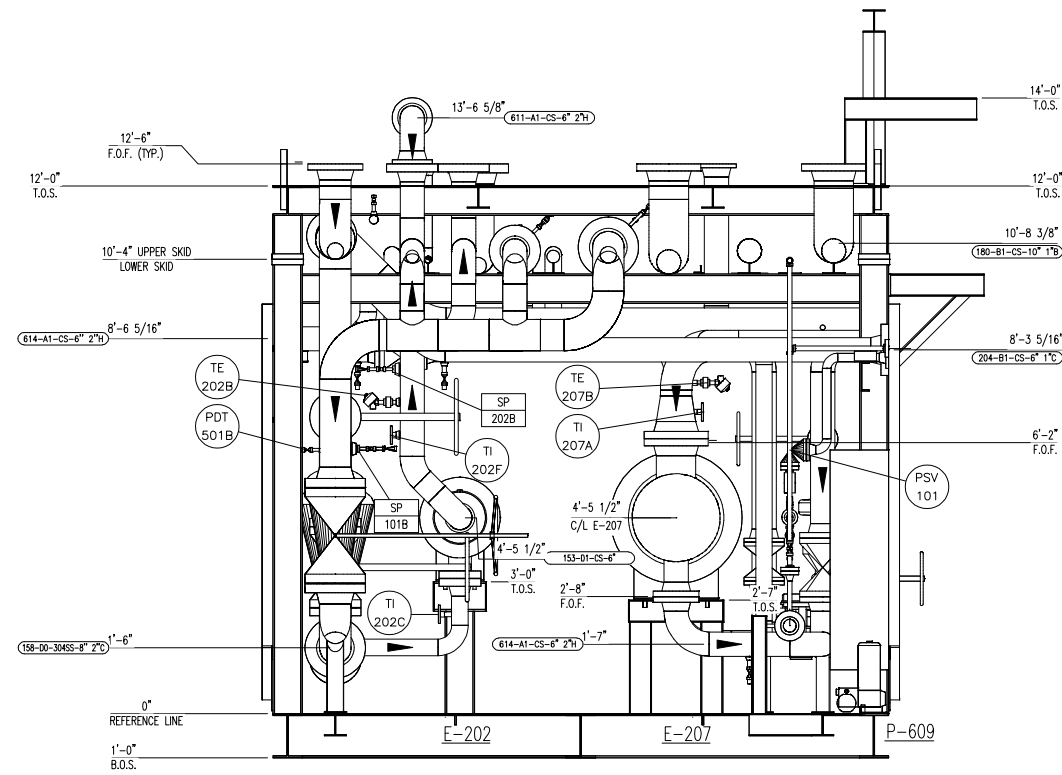
CONFIDENTIALITY STATEMENT
THIS DRAWING CONTAINS CERTAIN PROPRIETARY INFORMATION THAT IS THE PROPERTY OF UOP RUSSELL, L.L.C. THIS DRAWING IS PROVIDED FOR THE SOLE PURPOSE OF MANUFACTURING AND/OR OPERATING THE PLANT AND/OR RELATED EQUIPMENT DESCRIBED HEREIN. THE INFORMATION SHALL NOT BE USED FOR ANY OTHER PURPOSES WITHOUT THE WRITTEN PERMISSION OF UOP RUSSELL, L.L.C. ANY REPRODUCTION OR TRANSMISSION OF THIS DRAWING WITHOUT THE WRITTEN PERMISSION OF UOP RUSSELL, L.L.C. IS A VIOLATION OF COPYRIGHT AND IS SUBJECT TO CIVIL AND CRIMINAL PENALTIES.

UOP Russell
7650 S. York, Suite 210
Tulsa, Oklahoma 74136
Phone: 918-481-5882
Fax: 918-481-7827

OK P.E. # 4327
TX P.E. # F-753
NY COM# 03745-00



ELEVATION F
SCALE 1/2" = 1'-0"



ELEVATION G
SCALE 1/2" = 1'-0"

CONFIDENTIALITY STATEMENT
THIS DRAWING CONTAINS CERTAIN PROPRIETARY INFORMATION THAT IS THE PROPERTY OF UOP RUSSELL, LLC. THIS DRAWING IS PROVIDED FOR THE SOLE PURPOSE OF MAINTAINING AND/OR OPERATING THE PLANT AND/OR RELATED EQUIPMENT DESCRIBED HEREIN. THE INFORMATION SHALL NOT BE USED FOR ANY OTHER PURPOSES WITHOUT THE EXPRESS WRITTEN PERMISSION OF UOP RUSSELL, LLC. ANY REPRODUCTION OR PART OF THIS DRAWING MAY BE REPRODUCED OR USED FOR THE PURPOSES OTHER THAN OPERATING AND/OR MAINTAINING THE PLANT AND/OR RELATED EQUIPMENT MANUFACTURED BY UOP RUSSELL, LLC WITHOUT THE WRITTEN PERMISSION OF UOP RUSSELL, LLC. UOP RUSSELL, LLC IS A TRADEMARK OF UOP RUSSELL, LLC. UOP RUSSELL, LLC IS A TRADEMARK OF UOP RUSSELL, LLC. UOP RUSSELL, LLC IS A TRADEMARK OF UOP RUSSELL, LLC. UOP RUSSELL, LLC IS A TRADEMARK OF UOP RUSSELL, LLC.

REV	DATE	BY	APP'D	DESCRIPTION
2	10/27/14	BL		REVISED TO ADD P-609 TAG
1	02/14/12	LH		REVISED FOR STANDARD UPDATE.
0	06/17/11	LH		ISSUE FOR CONSTRUCTION

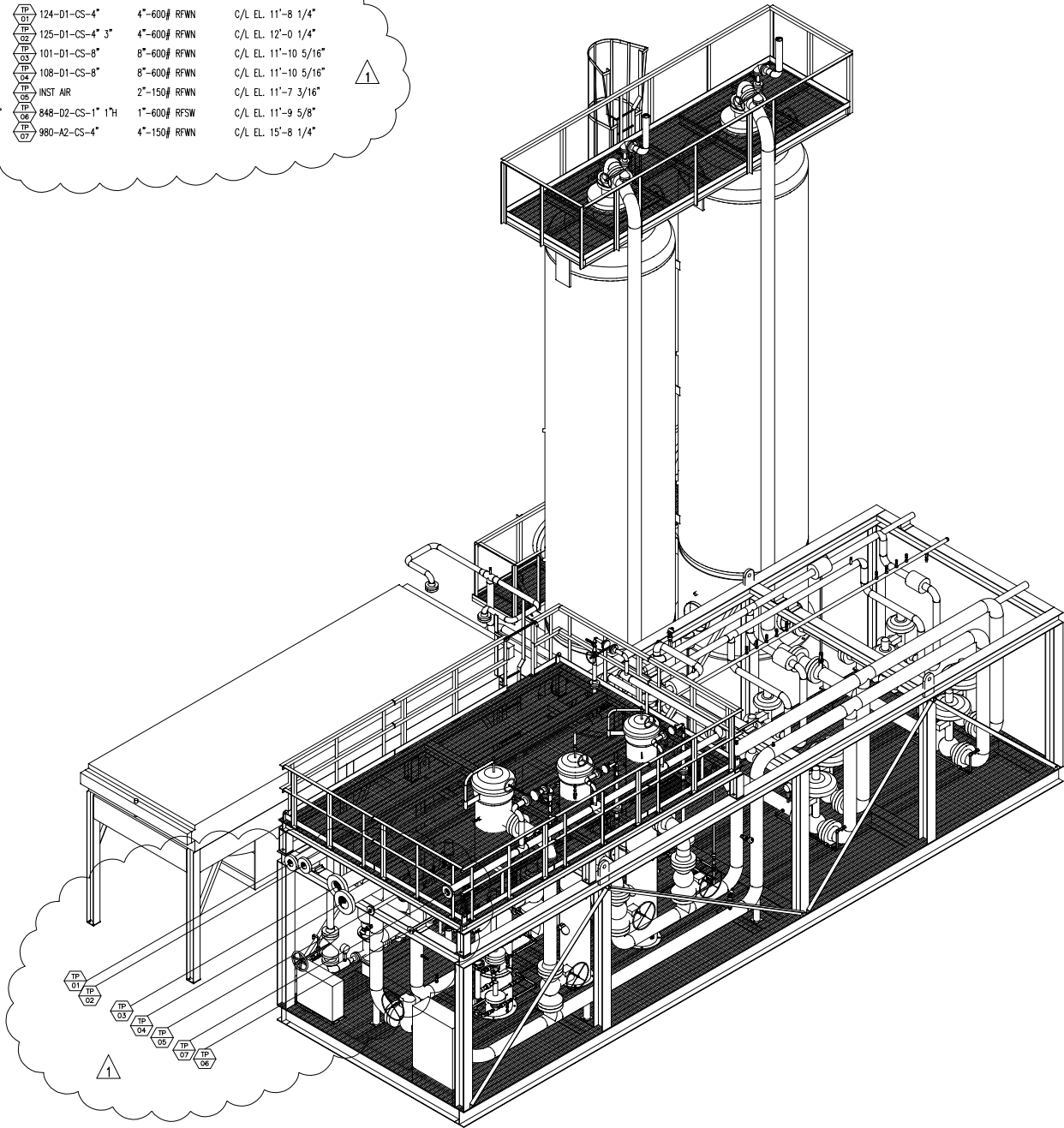
UOP RUSSELL
7050 S. York, Suite 210
Tulsa, Oklahoma 74136
Phone: 918-481-5882
Fax: 918-481-7827

SCALE	DATE	BY	CHK'D BY	DATE
1/2" = 1'-0"	06/07/11	DC	KLS	06/17/11
1/2" = 1'-0"	06/07/11	DC	KLS	06/17/11
1/2" = 1'-0"	06/07/11	DC	KLS	06/17/11

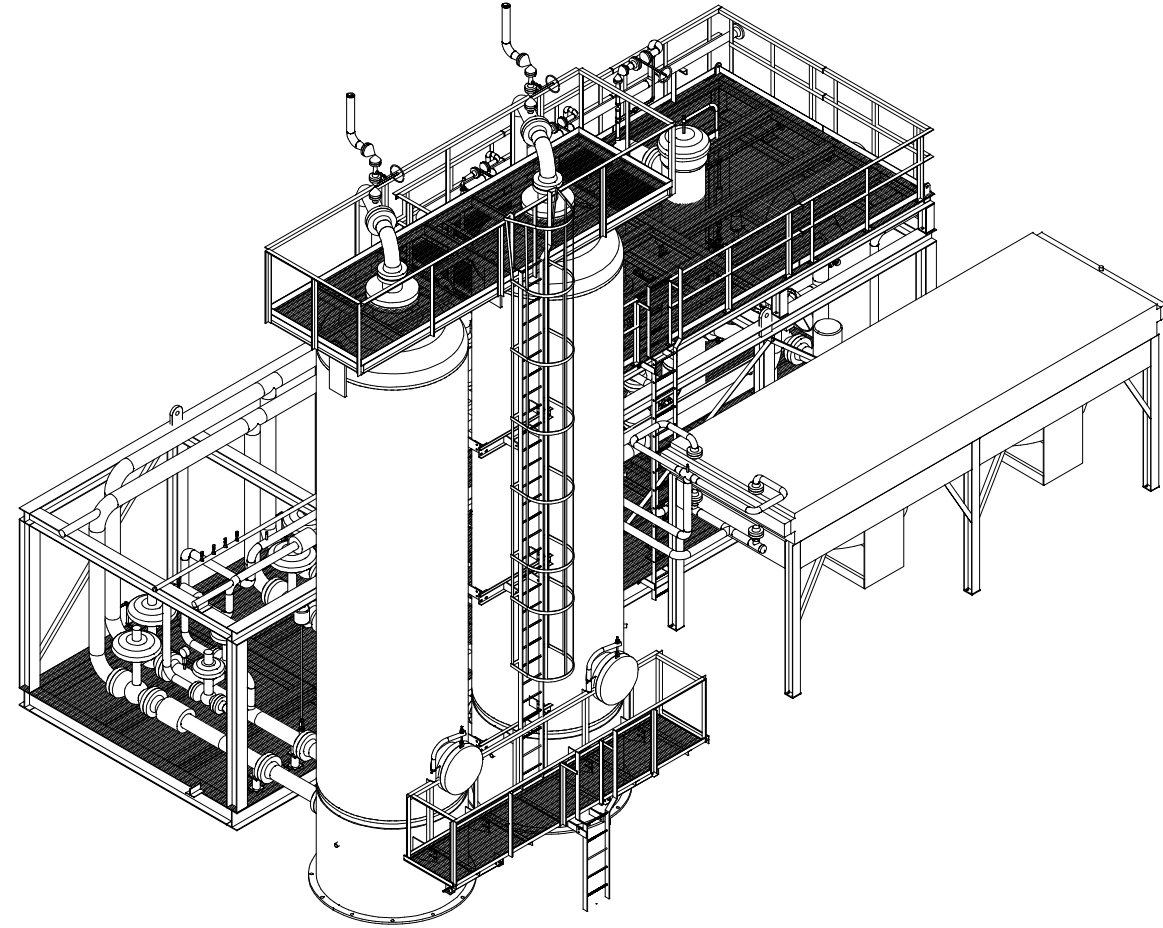
UOP RUSSELL STANDARD
STANDARD 60 MM CRTO PLANT
PIPING ELEVATIONS
PROCESS SKID #2

J-447
12/16/16
IFC

LINE NUMBER	CONNECTION TYPE	C/L ELEVATION
124-01-CS-4"	4"-600# RFWN	C/L EL. 11'-8 1/4"
125-01-CS-4" 3"	4"-600# RFWN	C/L EL. 12'-0 1/4"
101-01-CS-8"	8"-600# RFWN	C/L EL. 11'-10 5/16"
108-01-CS-8"	8"-600# RFWN	C/L EL. 11'-10 5/16"
INST AIR	2"-150# RFWN	C/L EL. 11'-7 3/16"
848-02-CS-1" 1H	1"-600# RFSW	C/L EL. 11'-9 5/8"
990-A2-CS-4"	4"-150# RFWN	C/L EL. 15'-8 1/4"



ISOMETRIC VIEW
SCALE: NONE



ISOMETRIC VIEW
SCALE: NONE

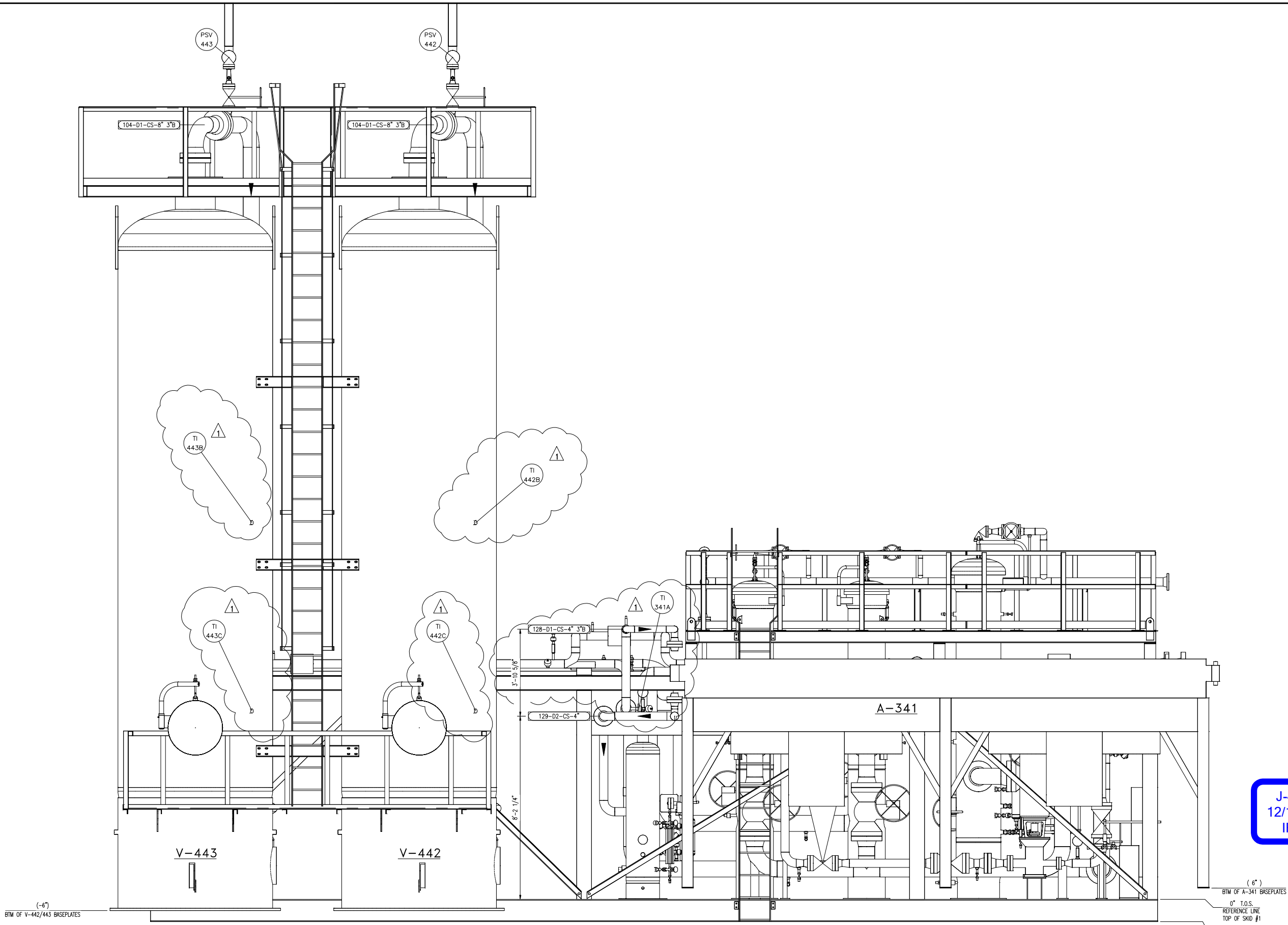
J-447
12/16/16
IFC

CONFIDENTIALITY STATEMENT
THIS DRAWING CONTAINS CERTAIN PROPRIETARY INFORMATION THAT IS THE PROPERTY OF UOP RUSSELL, LLC. THIS DRAWING IS PROVIDED FOR THE SOLE PURPOSE OF MAINTAINING AND/OR OPERATING THE PLANT AND/OR RELATED EQUIPMENT DESCRIBED HEREIN. THE INFORMATION SHALL NOT BE USED FOR ANY OTHER PURPOSES AND SHALL BE KEPT CONFIDENTIAL. ANY REPRODUCTION OR USE OF THIS DRAWING FOR ANY OTHER PURPOSES WITHOUT THE WRITTEN PERMISSION OF UOP RUSSELL, LLC IS A VIOLATION OF UOP RUSSELL, LLC'S INTELLECTUAL PROPERTY RIGHTS AND IS SUBJECT TO CIVIL AND CRIMINAL PENALTIES.

REV	DATE	BY	APP'D	DATE	DESCRIPTION	REVISIONS
1	10/27/14	DV	LH	10/27/14	REVISED TO ADD TIE POINTS	
0	08/18/11	AD	LH	08/18/11	ISSUED FOR CONSTRUCTION	

UOP Russell
7650 S. York, Suite 210
Tulsa, Oklahoma 74136
Phone: 918-481-5882
Fax: 918-481-7827
TX P.E.# F-7531
OK P.E.# 4327

UOP RUSSELL STANDARD	DATE	08/18/11
STANDARD 60MM CRYO PLANT	DATE	08/18/11
ISOMETRIC VIEWS	DATE	08/18/11
INLET FILTER/DEHYDRATION AREA	DATE	08/18/11
SCALE: NONE	DATE	08/18/11
DRAWING NO: SC6-411A	DATE	08/18/11
1	DATE	08/18/11



ELEVATION "A-A"
SCALE : 1/2" = 1'-0"

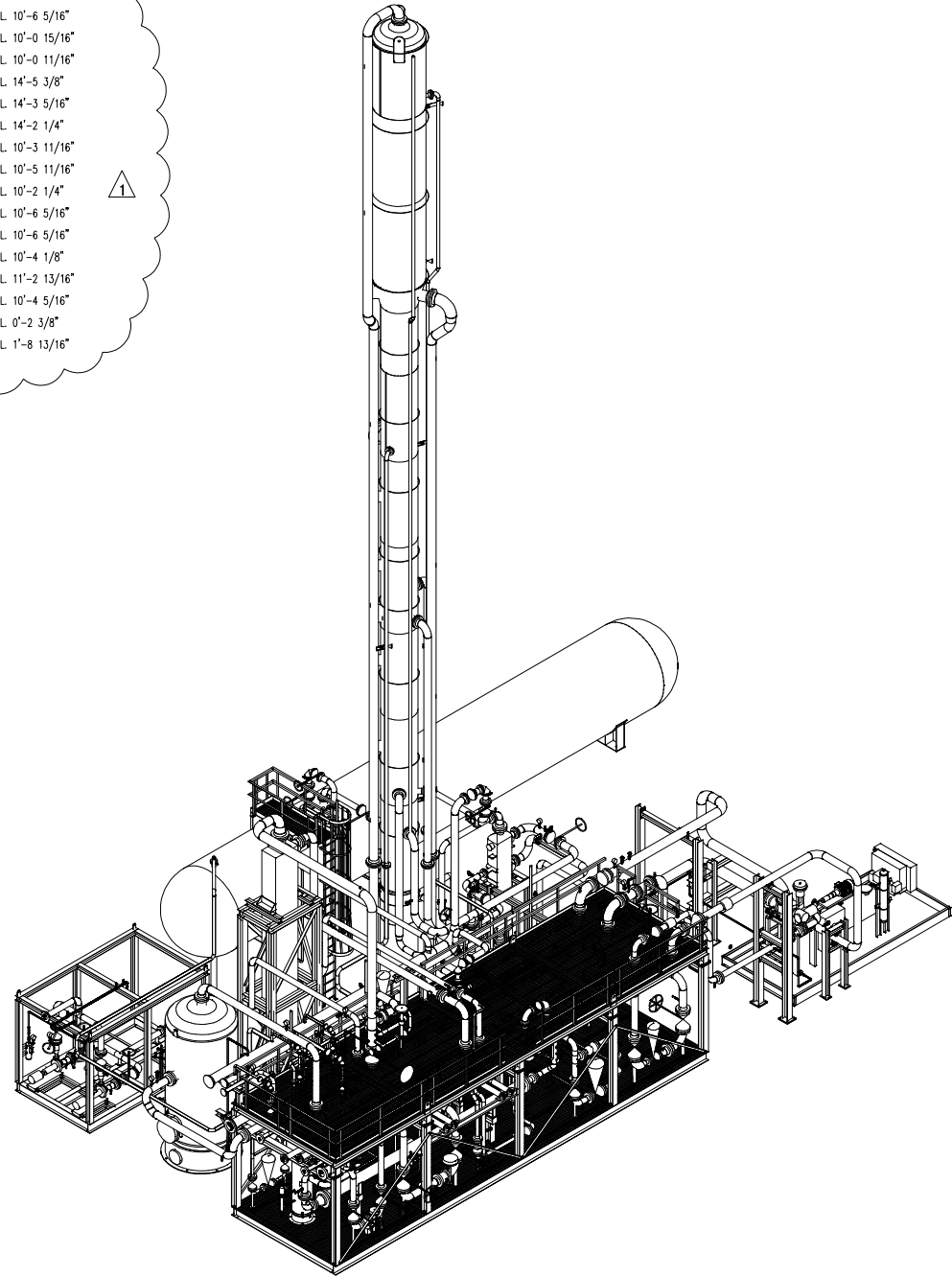
J-447
12/16/16
IFC

UOP RUSSELL STANDARD STANDARD 60MM CRYO PLANT ELEVATION VIEW INLET FILTER/DEHYDRATION AREA		DATE	BY	APP'D	DATE
SCALE	NONE	08/18/11	DC	08/18/11	LH
DRAWN BY	A. DELLARA	DATE	08/18/11	DATE	08/18/11
REV	1	SC6-411C	NONE		
UOP RUSSELL STANDARD TX P.E.# F-753		UOP RUSSELL			
7650 S. York, Suite 210 Tulsa, Oklahoma 74136		Phone: 918-481-5682 Fax: 918-481-7827			
OK P.E.# 4327		UOP RUSSELL			
NY COM# 032745-00		UOP RUSSELL			
THIS DRAWING IS PROVIDED FOR THE SOLE PURPOSE OF MAINTAINING AND/OR OPERATING THE PLANT AND/OR RELATED EQUIPMENT DESCRIBED HEREIN. THE INFORMATION SHALL NOT BE USED FOR ANY OTHER PURPOSES WITHOUT THE EXPRESS WRITTEN PERMISSION OF UOP RUSSELL, L.C.		THIS DRAWING IS THE PROPERTY OF UOP RUSSELL, L.C. AND IS NOT TO BE REPRODUCED OR TRANSMITTED IN ANY FORM OR BY ANY MEANS, ELECTRONIC OR MECHANICAL, INCLUDING PHOTOCOPYING, RECORDING, OR BY ANY INFORMATION STORAGE AND RETRIEVAL SYSTEM, WITHOUT THE EXPRESS WRITTEN PERMISSION OF UOP RUSSELL, L.C.			
PART OF THIS DRAWING MAY BE REPRODUCED OR USED FOR THE PURPOSES OTHER THAN OPERATING AND/OR MAINTAINING THE PLANT AND/OR RELATED EQUIPMENT MANUFACTURED BY UOP RUSSELL, L.C. WITHOUT THE EXPRESS WRITTEN PERMISSION OF UOP RUSSELL, L.C. SUCH REPRODUCTION OR USE IS STRICTLY PROHIBITED AND IS SUBJECT TO CIVIL AND CRIMINAL PENALTIES.		CONFIDENTIALITY STATEMENT			
REV	DESCRIPTION	DATE	BY	APP'D	DATE
1	REVISED TO ADD TAGS AND CHANGE PIPING	10/27/14	DV		10/27/14
0	ISSUED FOR CONSTRUCTION	08/18/11	AD		08/18/11
REVISIONS					

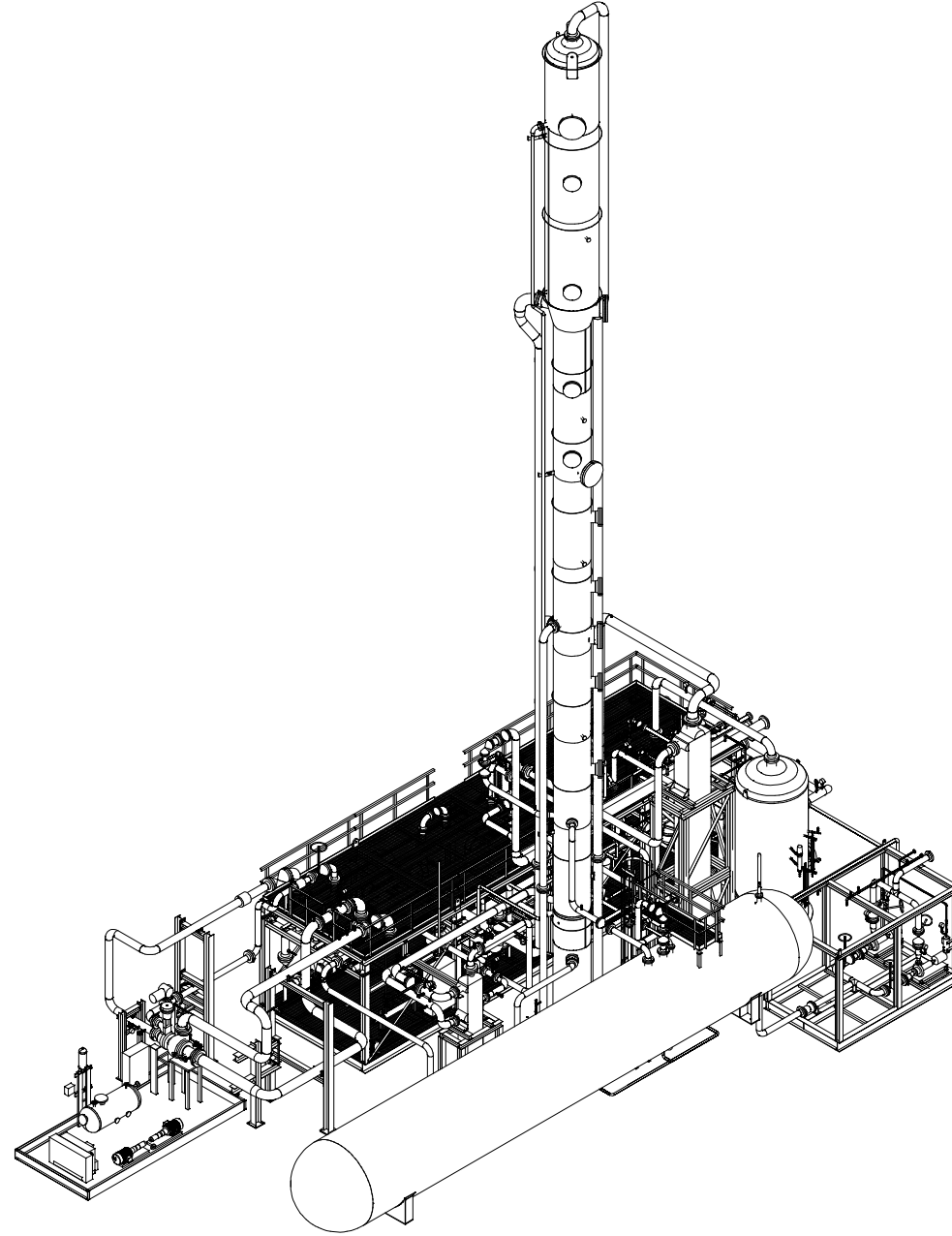
(-6)
BTM OF V-442/443 BASEPLATES

(6")
BTM OF A-341 BASEPLATES
0" T.O.S.
REFERENCE LINE
TOP OF SKID #1
(-1'-0")
BTM. OF SKID #1

LINE NUMBER	CONNECTION TYPE	C/L ELEVATION
21	214-B1-CS-6" 1" C	6"-300# RFWN C/L EL. 10'-6 5/16"
22	INST AIR	1.5"-150# RFWN C/L EL. 10'-0 15/16"
23	911-A2-CS-1"	1"-150# RFWN C/L EL. 10'-0 11/16"
24	901-A0-304SS-8"	10"-150# RFWN C/L EL. 14'-5 3/8"
25	907-A2-CS-6"	6"-150# RFWN C/L EL. 14'-3 5/16"
26	703-A1-CS-4"	4"-150# RFWN C/L EL. 14'-2 1/4"
27	196-D1-CS-1"	1"-150# RFWN C/L EL. 10'-3 11/16"
28	180-B1-CS-10" 1" B	10"-300# RFWN C/L EL. 10'-5 11/16"
29	216-E1-CS-4"	4"-900# RTJWN C/L EL. 10'-2 1/4"
30	611-A1-CS-6" 2" H	6"-150# RFWN C/L EL. 10'-6 5/16"
31	614-A1-CS-6" 2" H	6"-150# RFWN C/L EL. 10'-6 5/16"
32	215-E1-CS-4" 1" C	4"-900# RTJWN C/L EL. 10'-4 1/8"
33	INST AIR	2"-150# RFWN C/L EL. 11'-2 13/16"
34	109-D1-CS-8"	8"-600# RFWN C/L EL. 10'-4 5/16"
35	METHANOL SUPPLY	1/2"-FNPT C/L EL. 0'-2 3/8"
36	METHANOL RETURN	1/2"-FNPT C/L EL. 1'-8 13/16"



ISOMETRIC VIEW
SCALE: NONE



ISOMETRIC VIEW
SCALE: NONE

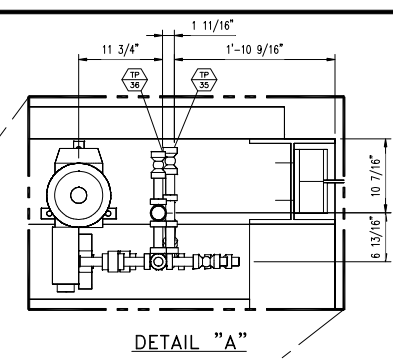
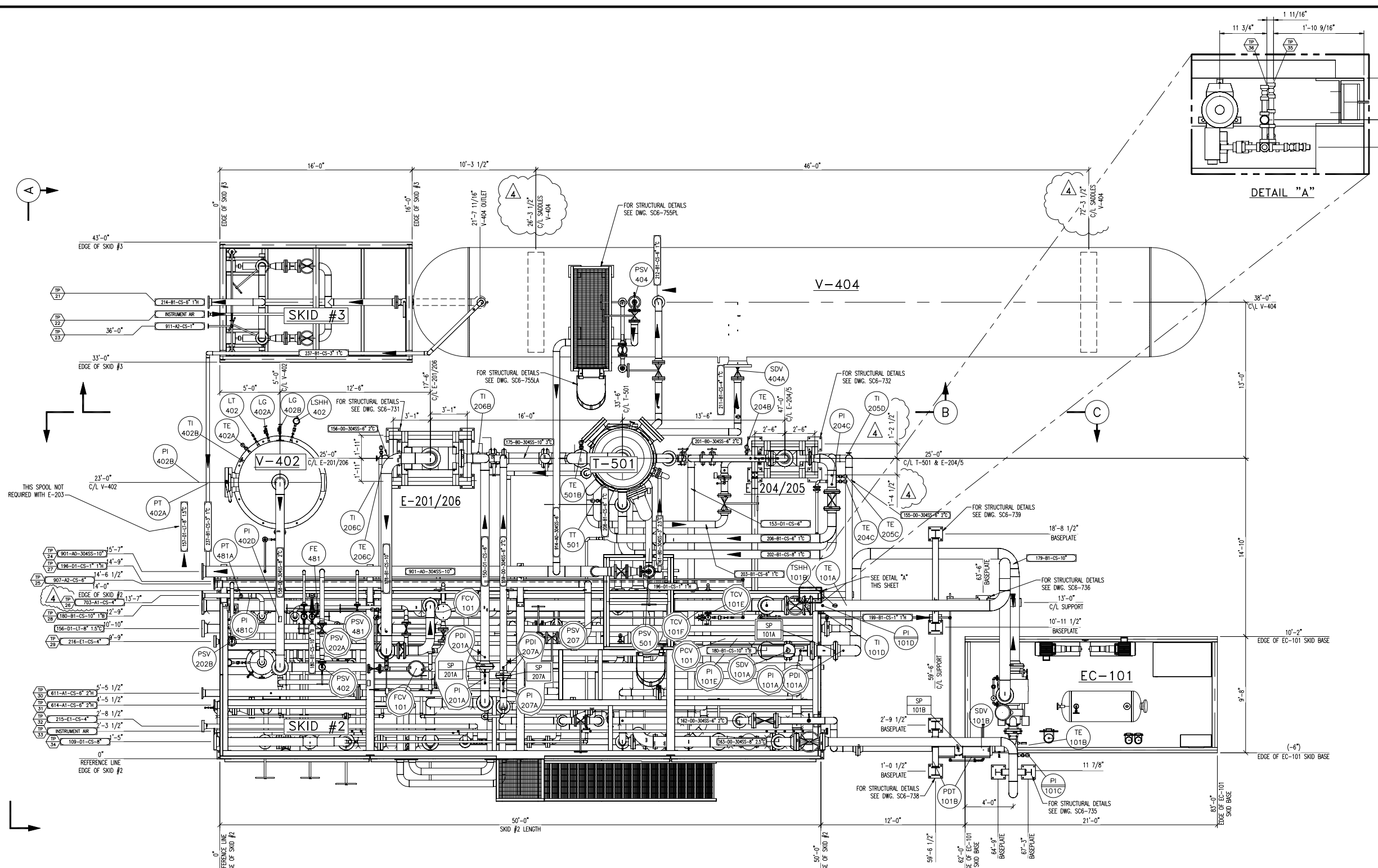
CONFIDENTIALITY STATEMENT
THIS DRAWING CONTAINS CERTAIN PROPRIETARY INFORMATION THAT IS THE PROPERTY OF UOP RUSSELL, LLC. THIS DRAWING IS PROVIDED FOR THE SOLE PURPOSE OF MANUFACTURING AND/OR OPERATING THE PLANT AND/OR RELATED EQUIPMENT DESCRIBED HEREIN. THE INFORMATION SHALL NOT BE USED FOR ANY OTHER PURPOSES WITHOUT THE WRITTEN PERMISSION OF UOP RUSSELL, LLC. ANY REPRODUCTION OR USE OF THIS DRAWING FOR ANY OTHER PURPOSES OTHER THAN OPERATING AND/OR MANUFACTURING THE PLANT AND/OR RELATED EQUIPMENT MANUFACTURED BY UOP RUSSELL, LLC WITHOUT THE WRITTEN PERMISSION OF UOP RUSSELL, LLC IS A VIOLATION OF COPYRIGHT AND IS SUBJECT TO CIVIL AND CRIMINAL PENALTIES.

REV	DATE	BY	APP'D	DATE	DESCRIPTION	REVISIONS
1	10/27/14	DV	BL	10/27/14	REVISED TO ADD THE POINTS	
0	08/18/11	AD	LH	08/18/11	ISSUED FOR CONSTRUCTION	

OK P.E.# 4327
NY CORP. 03/24/00
TX P.E.# F-7531
UOP Russell
7050 S. York, Suite 210
Dallas, Oklahoma 74136
Phone: 918-481-5882
Fax: 918-481-7827

UOP RUSSELL STANDARD	APPROV'D BY	DATE	DATE	DATE	DATE
STANDARD 60MM CRYO PLANT	DC	08/18/11	LH	08/18/11	
ISOMETRIC VIEWS	DC	08/18/11	LH	08/18/11	
PROCESS AREA	DC	08/18/11	LH	08/18/11	
SCALE: NONE	DC	08/18/11	LH	08/18/11	
DRAWING NO. SC6-412A	DC	08/18/11	LH	08/18/11	

J-447
12/16/16
IFC



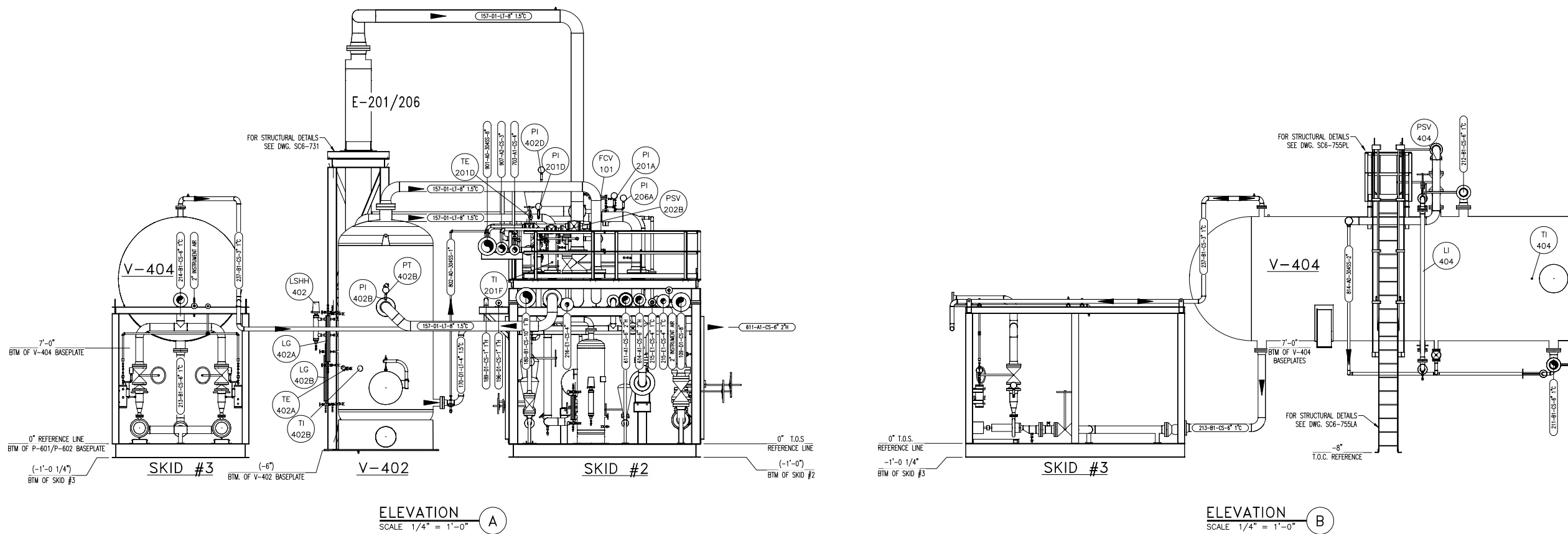
J-447
07/09/18
REV

CONFIDENTIALITY STATEMENT:
 THIS DRAWING CONTAINS PROPRIETARY INFORMATION THAT IS THE PROPERTY OF UOP RUSSELL, LLC. IT IS NOT TO BE REPRODUCED OR TRANSMITTED IN ANY FORM OR BY ANY MEANS, ELECTRONIC OR MECHANICAL, INCLUDING PHOTOCOPYING, RECORDING, OR BY ANY INFORMATION STORAGE AND RETRIEVAL SYSTEM, WITHOUT THE WRITTEN CONSENT OF UOP RUSSELL, LLC. ANY REPRODUCTION OR TRANSMISSION OF THIS DRAWING WITHOUT THE WRITTEN CONSENT OF UOP RUSSELL, LLC IS SUBJECT TO CIVIL AND CRIMINAL PENALTIES.

REV	DATE	BY	DATE	APP'D	DESCRIPTION
1	08/18/11	ALDELLARA	08/18/11		ISSUED FOR CONSTRUCTION
2	08/18/11				REVISED TO CLEAN UP AROUND EC-101
3	08/18/11				REVISED INSULATION IN LINE NOS.
4	08/29/17				REVISED TO ADD DIMENSION FOR TP-26
5	08/29/17				REVISED V-404 SADDLE DIMENSION AND ADJUSTED E-204/206

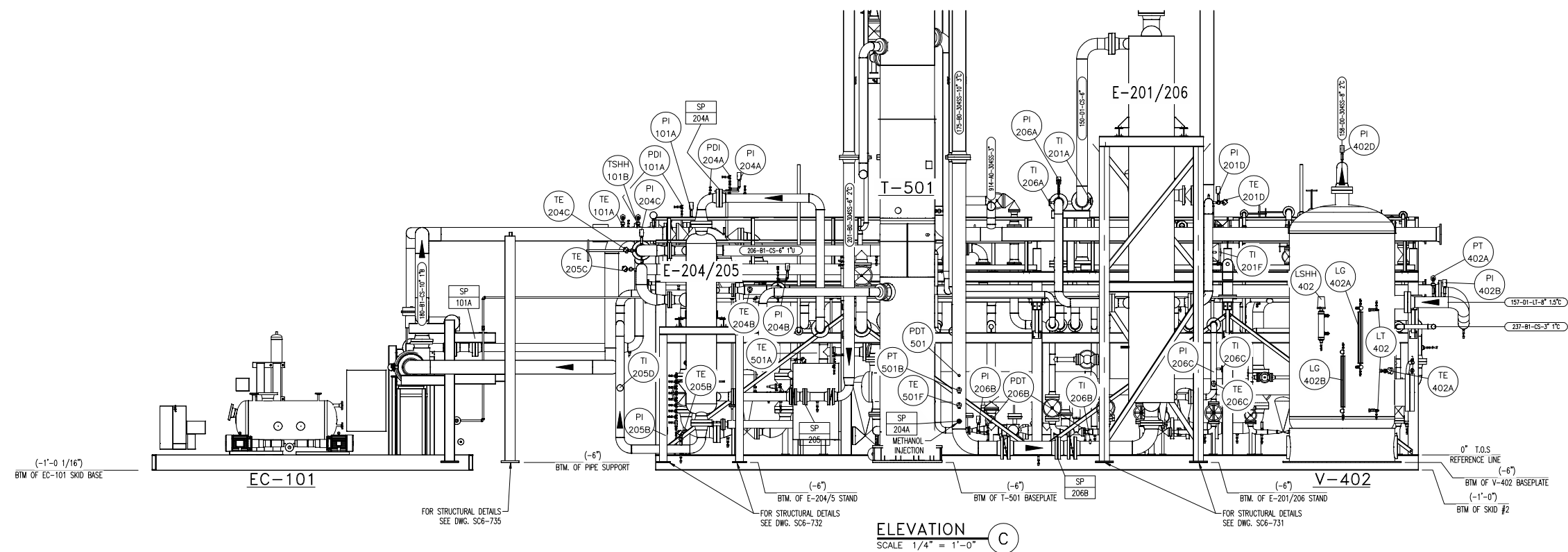
UOP Russell
 7000 S. York, Suite 210
 Denver, CO 80231
 Phone: 303.440.5000
 Fax: 303.440.5002

UOP RUSSELL STANDARD
 STANDARD 60MM CRYO PLANT
 PLAN VIEW
 PROCESS AREA
 DRAWN BY ALDELLARA
 DATE 08/18/11
 SCALE NONE
 SHEET NO. SC6-412B
 SHEET TOTAL 4
 FILE NAME: SC6-412.dwg
 Z:\400 - Drafting\001-PROCESS\446-CRYO\UOPRUS\446-400.dwg



ELEVATION A
SCALE 1/4" = 1'-0"

ELEVATION B
SCALE 1/4" = 1'-0"



ELEVATION C
SCALE 1/4" = 1'-0"

J-447
12/16/16
IFC

CONFIDENTIALITY STATEMENT
THIS DRAWING CONTAINS CERTAIN PROPRIETARY INFORMATION THAT IS THE PROPERTY OF UOP RUSSELL, LLC. THIS DRAWING IS PROVIDED FOR THE SOLE PURPOSE OF MANAGING AND/OR OPERATING THE PLANT AND/OR RELATED EQUIPMENT DESCRIBED HEREIN. THE INFORMATION SHALL NOT BE USED FOR ANY OTHER PURPOSES WITHOUT THE WRITTEN PERMISSION OF UOP RUSSELL, LLC. ANY REPRODUCTION OR USE OF THIS DRAWING FOR ANY OTHER PURPOSES OTHER THAN OPERATING AND/OR MAINTAINING THE PLANT AND/OR RELATED EQUIPMENT MANUFACTURED BY UOP RUSSELL, LLC WITHOUT THE WRITTEN PERMISSION OF UOP RUSSELL, LLC IS A VIOLATION OF COPYRIGHT AND IS SUBJECT TO CIVIL AND CRIMINAL PENALTIES.

REV.	DATE	APP'D	DATE	DESCRIPTION	REVISIONS
1	10/20/14	LH	10/20/14	REVISED FOR CLARITY	
0	08/18/11	AD	08/18/11	ISSUED FOR CONSTRUCTION	

UOP RUSSELL STANDARD
STANDARD 60MM CRYO PLANT
SECTIONS AND ELEVATIONS
PROCESS AREA

SCALE	DRAWN BY	CHECKED BY	DATE
1	SC6-412C	NONE	08/18/11
		DC	08/18/11
		LH	08/18/11

UOP RUSSELL
7050 S. York, Suite 210
Tulsa, Oklahoma 74136
Phone: 918-481-5882
Fax: 918-481-7927
TX P.E.# F-7531
OK P.E.# 4327