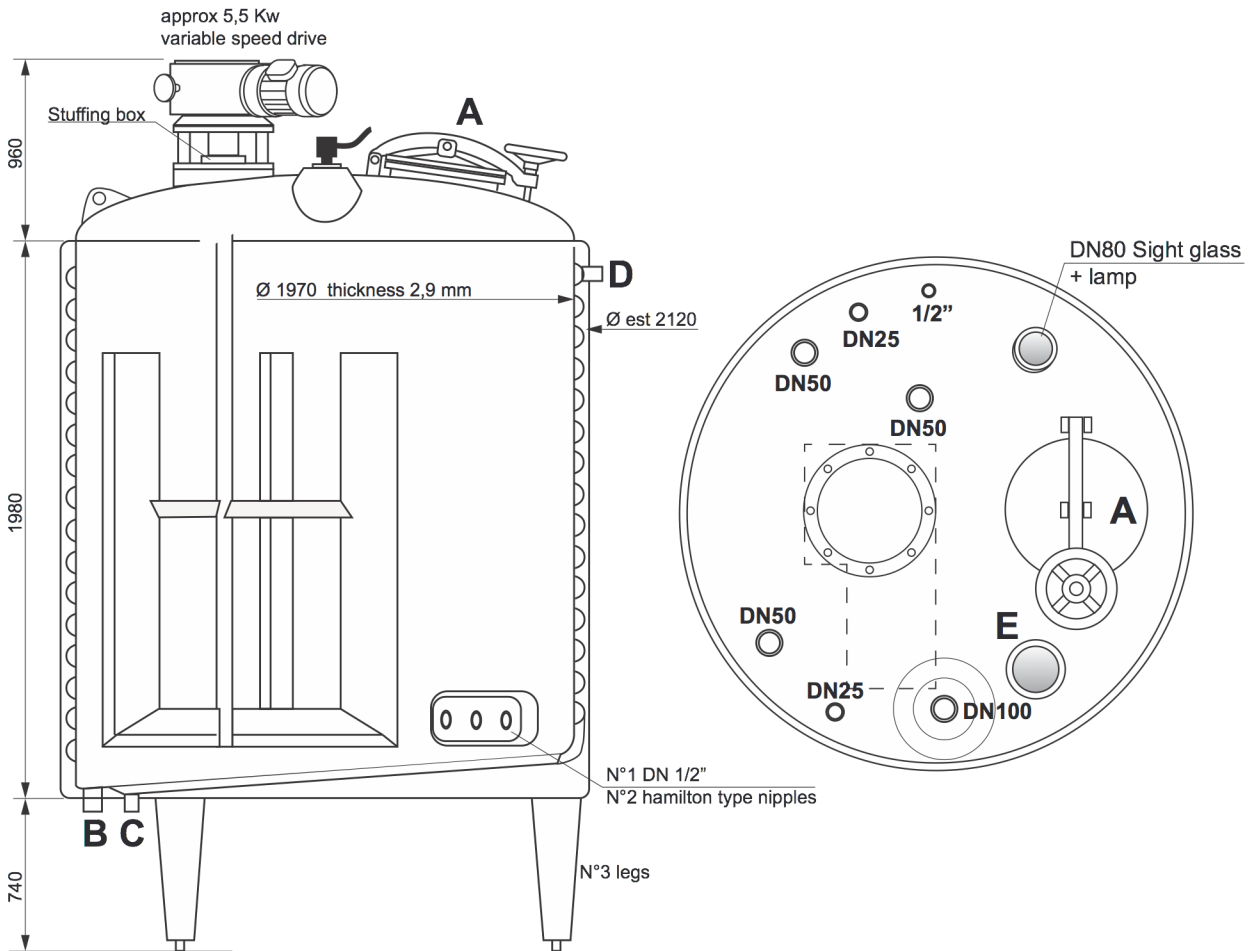


# COPRINOX

## AGITATED VESSEL

Code n° **RAJ 050 1386**

Location ref: 19 T2



<b>CAPACITY LITERS</b> <u>5.000</u>	<b>SHELL SIDE</b>	<b>JACKET/COIL SIDE</b>
Design Pressure KG/cm2	ATM	
Design Temperature °C		
Material	AISI 304	AISI 304
ANCC or ISPESL certification: <u>NOT</u>	<b>NOZZLE DIMENSIONS</b>	
Availability in stock n° <u>02</u> units	<b>Pos</b>	<b>Service</b>
<b>MANUFACTURER:</b> <u>MAGNABOSCO Italy</u>	<b>A</b>	Man hole
<input checked="" type="checkbox"/> USED	<b>B</b>	Product outlet
<input type="checkbox"/> USED RECONDITIONED	<b>C</b>	Heating medium in-out
<input type="checkbox"/> UNUSED	<b>D</b>	Heating medium in-out
<b>WEIGHT (approx) Kg</b> <u>1300</u>	<b>E</b>	Sight glass
	<b>NOTE</b> _____	