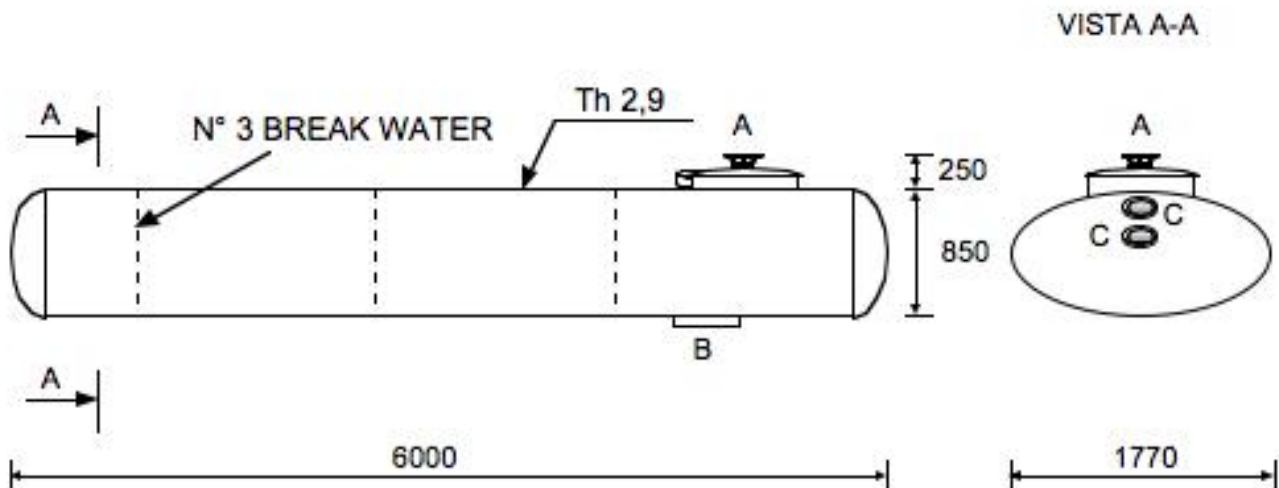


COPRINOX

VESSEL

Code n° VO 070 0626

Location ref: 90 F1

CAPACITY LITERS 7.000

SHELL SIDE

JACKET/COIL SIDE

Design Pressure KG/cm²
Design Temperature °C
Material

AISI 304

ANCC or ISPESL certification: NOT
Availability in stock n° 07 units

NOZZLE DIMENSIONS

MANUFACTURER CARENZI

Pos	Service	Size inch.
A	Man hole	16"
B	Product outlet	4"
C	Sight glass	2"
D		
E		

- USED
 USED RECONDITIONED
 UNUSED

NOTE VO.070.0622/0624/0625/0627/0628/1037WEIGHT (approx) Kg 900