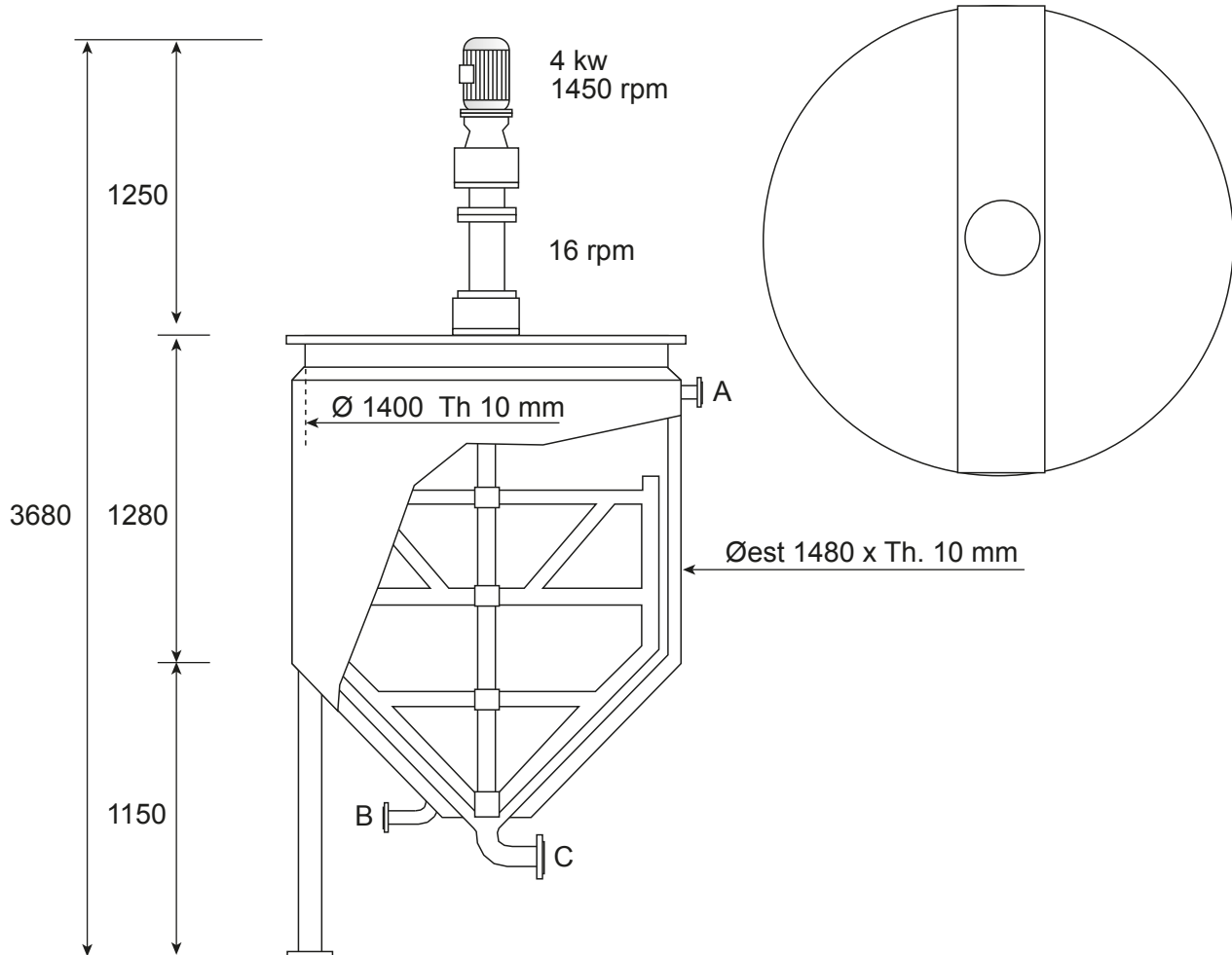


# COPRINOX

## AGITATED VESSEL

Code n° **RAJ 026 1150**

Location ref: 99 T2

CAPACITY LITERS **2.600**

SHELL SIDE

JACKET/COIL SIDE

Design Pressure KG/cm2  
Design Temperature °C  
MaterialATM  
+95  
AISI 3169,8  
+95  
AISI 304ANCC or ISPESL certification: **NOT**  
Availability in stock n° **1** units

## NOZZLE DIMENSIONS

Pos	Service	Size inch.
A	Heating medium outlet	2"
B	Heating medium inlet	2"
C	Product outlet	2"1/2
D		
E		

MANUFACTURER: **MILL Srl** USED  
 USED RECONDITIONED  
 UNUSED**NOTE** ALL PARTS POLISH MIRRORWEIGHT (approx) Kg **1600**