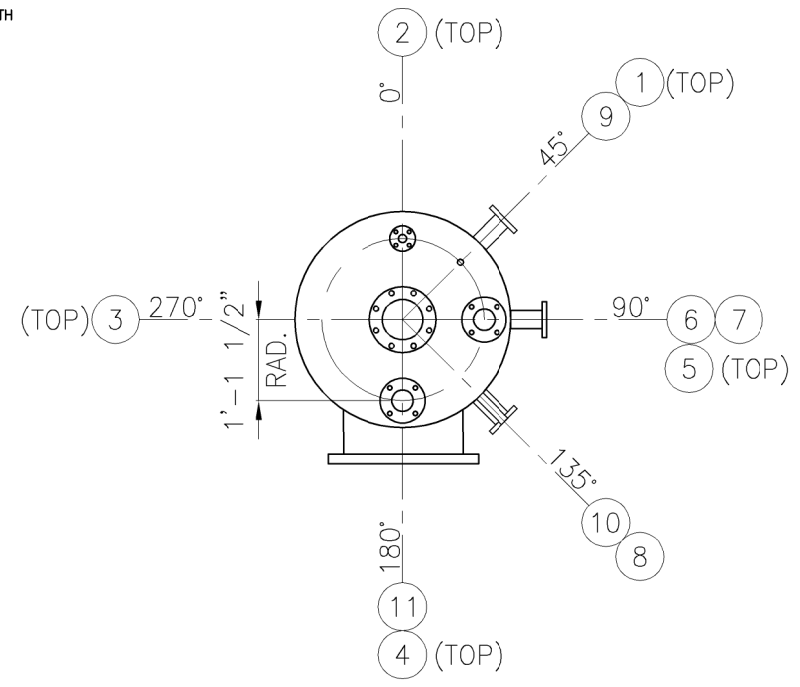


DESIGN DATA

DESIGN CODE	UL 142
MIN. DESIGN METAL TEMPERATURE	-40° C
DESIGN PRESSURE	Per UL 142 (<15 psig)
DESIGN VACUUM	-10" WG
DESIGN TEMPERATURE	75° F
TEST PRESSURE (HYDROSTATIC)	N/A
CORROSION ALLOWANCE	1/16"
RADIOGRAPHY	PER CODE
LIQUID PENETRANT EXAMINATION	NONE
POST WELD HEAT TREATMENT	PER CODE
STAMP	PER CODE
LINER (BONDED TO SUBSTRATE)	NONE
CAPACITY	250 GALLONS
RCOF & FLOOR	CONICAL (ROOF) FLOOR (FLAT)
EXTERIOR SURFACE PREP & PAINTING	SSPC-SP6 SUITABLE PRIMER

NOZZLE SCHEDULE

MARK	SIZE ϕ	DESCRIPTION	TYPE	RATING	Q ELEV.	COMMENT
1	1"	N ₂ PADDING MANIFOLD	CPLG	3000#	TOP	
2	1"	INSTRUMENT (LS)	RFSO	150#	TOP	
3	6"	EMERGENCY VENT	RFSO	150#	TOP	
4	3"	INSTRUMENT (PSV)	RFSO	150#	TOP	
5	3"	INSTRUMENT (LT)	RFSO	150#	TOP	
6	2"	PRODUCT INLET	RFSO	150#	3'-6"	
7	2"	PRODUCT INLET	RFSO	150#	2'-6"	
8	1"	INSTRUMENT (TI)	CPLG	3000#	2'-0"	
9	2"	PRODUCT OUTLET	RFSO	150#	0'-6"	
10	2"	DRAIN	RFSO	150#	0'-6"	
11	18"	MANWAY	SEE NOTE 5		2'-6"	



MATERIALS & INSULATION

SHELL:	SA 240-TYP 316L
NOZZLE FLANGES:	SA-312-TYP 3166/ SA F182-TYP 316F
BOLTING:	SA193 B7
GASKETS:	SPIRAL WOUND PTFE FILLED W/INNER & OUTER RETAINING RINGS
RCOF & FLOOR:	SA F182-TYP 316L
SUPPORTS:	ASTM A36
INTERNALS:	SA F182-TYP 316L
HEAT JACKET:	N/A
INSULATION:	NONE
INSULATION CLADDING:	N/A

VESSEL CONTENTS

MATERIAL	METHANOL
PH	.
SPECIFIC GRAVITY	0.8
WEIGHT	1,600 LBS

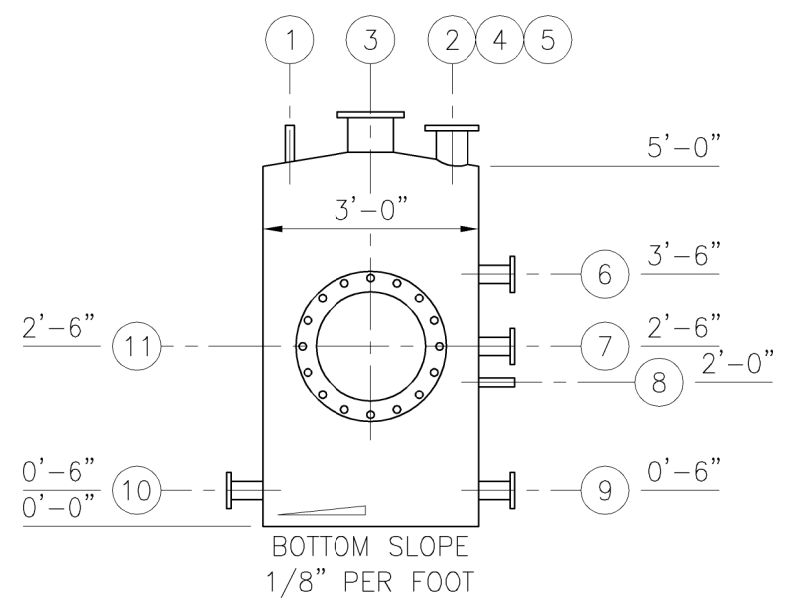
TANK IDENTIFICATION

PURCHASER:	GENERAL BIODIESEL SEATTLE LLC
INSTALLATION:	SEATTLE, WA
EQUIPMENT NUMBER:	T-610
EQUIPMENT DESCRIPTION:	METHANOL RECOVERY TANK

NOTES

1. NOZZLE PROJECTIONS ARE FROM TANK WALL.
2. ROOF IS SELF SUPPORTING.
3. ALL FLANGE BOLT HOLES TO STRADDLE CENTERLINES.
4. HAZARDOUS MATERIAL PLACARD TO BE PROVIDED PER NFPA 704, FLUID RATINGS TO BE PROVIDED BY OPERATION PERSONNEL.
5. MANWAY TO BE 18" DIA. BOLTED CLOSURE SUPPORTED ON DAVIT. GASKET TO BE PTFE.
6. INTERIOR OF TANK TO BE BLASTED PER SSPC-SP10 AND CLEANED OF ALL FOREIGN AND LOOSE MATERIAL.

ISSUED FOR CONSTRUCTION



No.	REFERENCE	NUMBER	No.	DATE	REVISION	DRN.	APPR.
			0	02/17/12	ISSUED FOR CONSTRUCTION	LA	BF

GENERAL BIODIESEL

E3ENERGYPARTNERS
CONSULTING ENGINEERS
Tel: (206) 462-3600 Seattle, WA 98104
Fax: (206) 462-3599 www.e3energypartners.com

DESIGNED BY:	BF	DATE:	06-08-10
CHECKED BY:	DP	DATE:	
APPROVED BY:	DP	DATE:	
PROJECT No.	10-001-02	DRAWN BY:	LA
SCALE:	3/8"=1'-0"	GRID:	

GENERAL BIODIESEL SEATTLE, LLC		
BIODIESEL MANUFACTURING FACILITY		
VESSEL DATA SHEET		
METHANOL RECOVERY TANK		
DWG NO.	SHT.	REV.
610001-MT-610	1 of 1	0