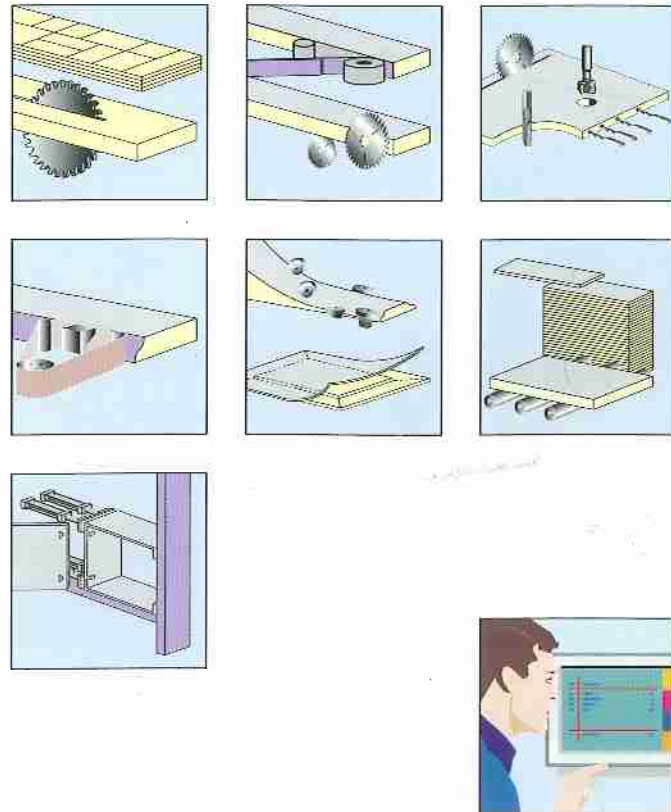
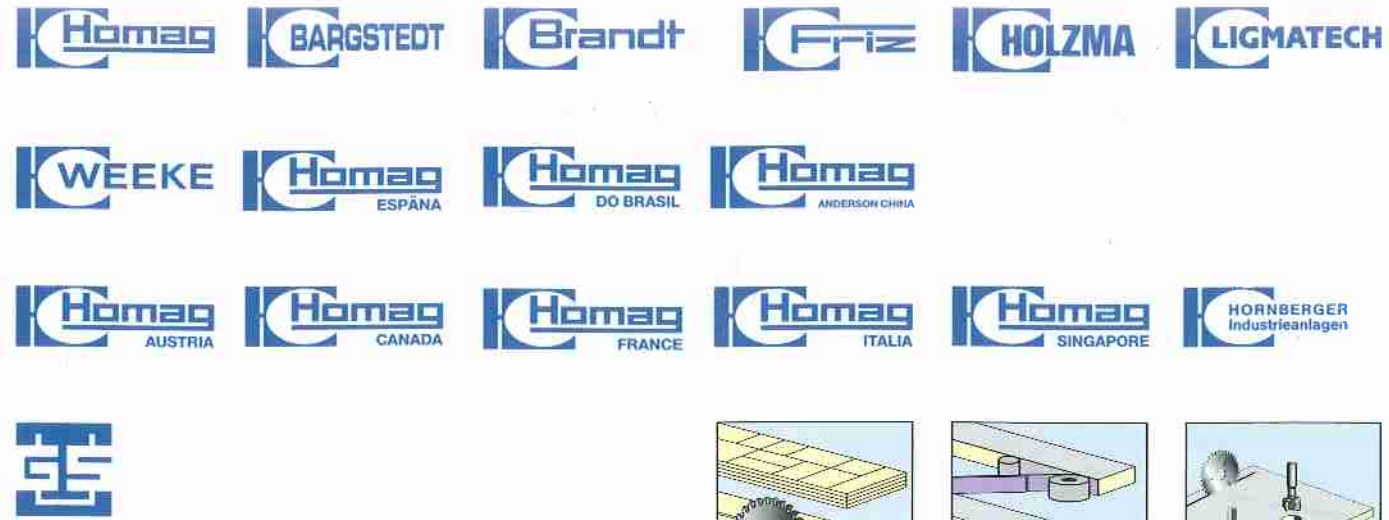


The Homag Group



Your sales partner



Homag Maschinenbau AG  
D-72296 Schopfloch  
Telefon (07443) 13-0  
Telefax (07443) 13300

WebOffice



## Edge Banding Machines Optimat KL 73 – KL 79

Precise banding of  
straight edges with and  
without joint trimming



# The Optimat KL 70 series: The standard range for every type of edging material



## Optimat: High Tech need not cost more

With the „Optimat“, the Homag Group is presenting a whole new machine generation for complete wood processing applications. All the models of the Optimat range feature the same leading-edge technology, the same legendary quality and reliability which are synonymous with the name Homag. But because the Optimats are series produced, they offer a decisive cost benefit to you, the user.



## One series to cope with any material type

The Optimat KL 79 series permits processing of all types of edging materials - for instance solid wood, coil and fixed length materials, melamine, PVC, ABS and veneered edges to name only some examples. For banding work, hot melt glues are usually used, while PU glues are applied for special requirements.






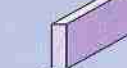

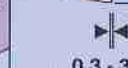


## Convincing technology on every level

The interior fittings trade and woodworking industry today are faced with a growing number of different materials. At the same time, increasing cost pressure necessitates extremely careful investment planning. A modern practical edge banding machine is expected to perform efficiently and flexibly for every type of edging material. The development of the new Optimat KL series aimed to address just this very demand - with impressive results:

A modular range of standard machines offering outstanding price and performance.

## As individual as it is universal: the Optimat modular concept

Two basic models are available: The edging Optimat and the jointing Optimat. These are supplemented by a comprehensive range of just those processing units you need to address your particular requirements.

Machine type	Edging material			Workpiece size
	Solid Wood	Fixed length material	Coil	
Edging Optimat KL 73... 79	A 3 			 *Workpiece thickness 22/60 min 55/100*
	A 20 			
Jointing edging Optimat KL 75... 79	A 3 			 min/max 12/60
	A 20 			

Sizes in mm



# With and without joint trimming: Two high-powered professionals for precision edging



## Features of the Optimat KL 70 series

The series comprises two basic models, the edging Optimat and the jointing Optimat. Each has its own permanent basic equipment and a free space for customer-specific options.

Two gluing unit types are available for both basic models: The A3 for edges up to 3 mm and the A20 for solid wood up to 20 mm.

The compact gluing unit A3 operates exclusively with coil material.

### The edging Optimat

is used for banding straight edges on ready-sized workpieces. The basic version comprises a gluing unit, edging magazine, pressure zone and snipping unit.

### The jointing Optimat

is designed for joint trimming, banding and finish processing. The joint trimming units for splinter-free processing are mounted upstream from the gluing unit.

### Free space for additional system benefits

The free space in the finish processing section offers scope for additional units, and can be fitted with any one of a wide range of customer-specific options - from rough trimming through belt sanding to buffing.

### The most important features of both basic models

- Compact construction
- Maintenance-friendly machine structure
- Environmentally compatible technology
- Operating convenience
- Modern, functional design
- Optimum cost-to-performance ratio

### Highlights to offer you a range of benefits

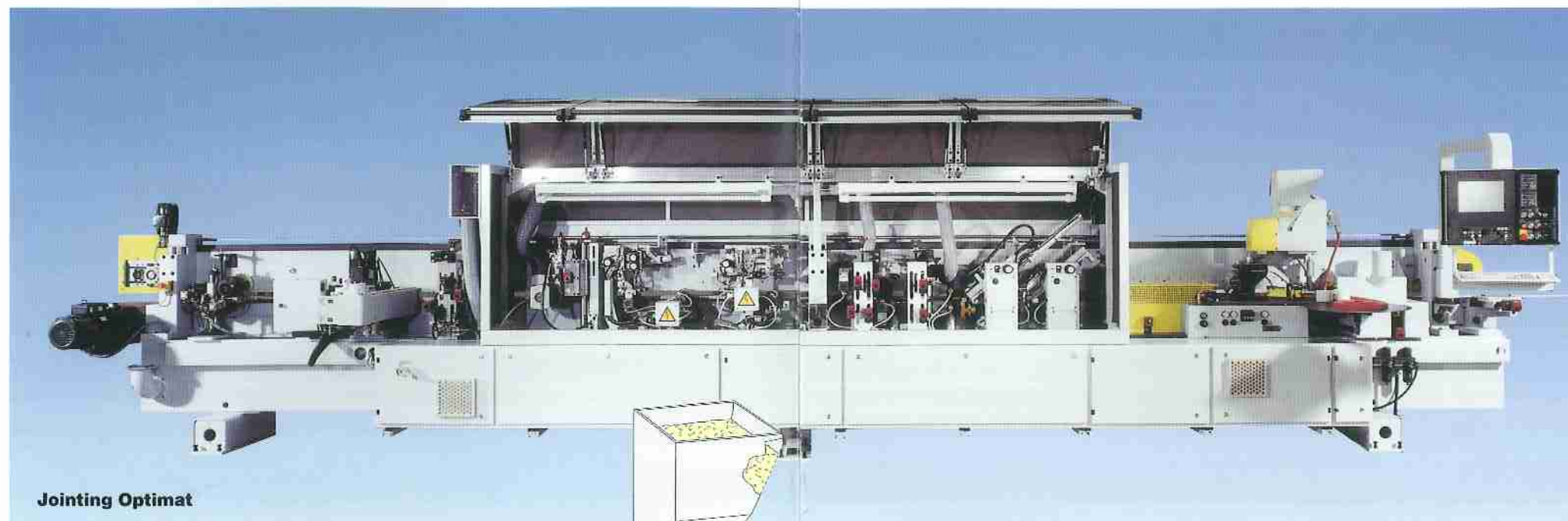
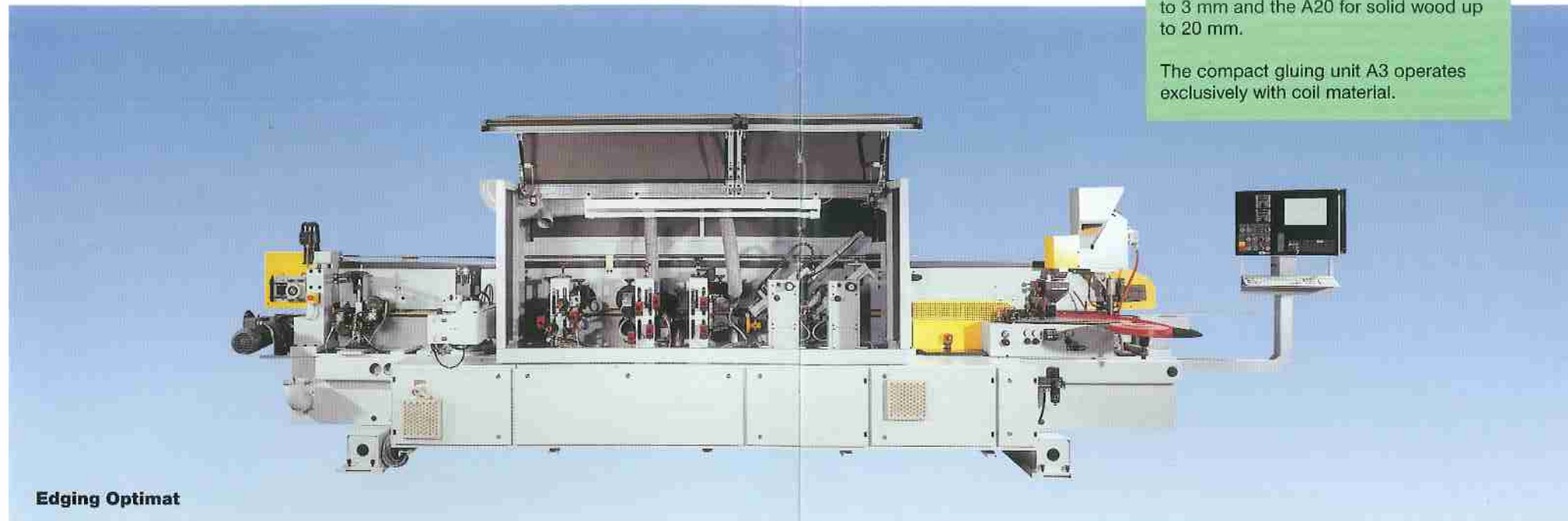
#### Optimum edge quality

Elimination of finish processing work, thin, hardly visible glue joint, optimum gluing quality using the quick melt system. Quick availability for service, a continuous supply of fresh glue, energy-saving operation.

#### Future-oriented technology

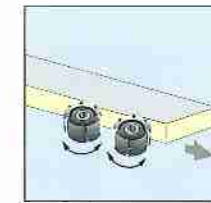
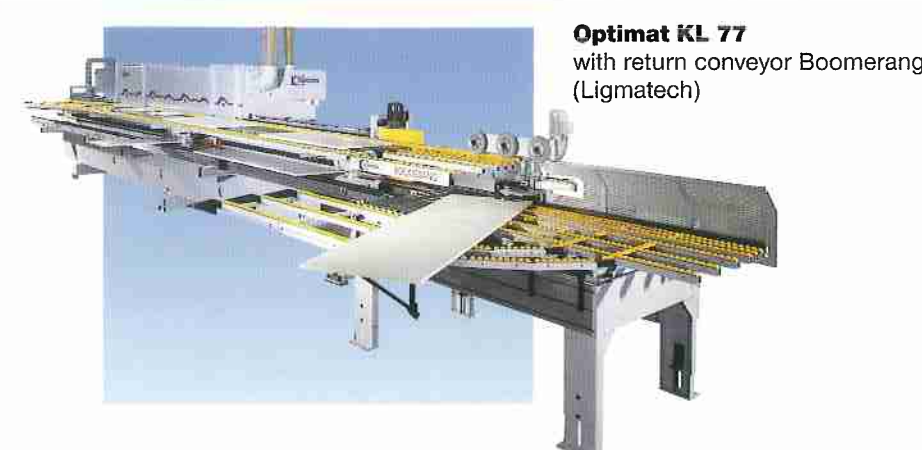
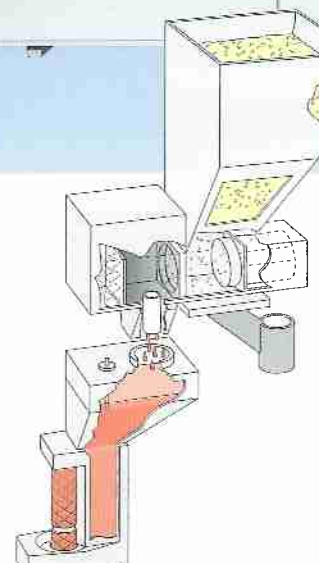
- PLC control without limit switches, low wear, trouble-free operation
- Frequency converter technology, low noise, maintenance-free, automatic safety braking action of processing motors
- Flexible clamping system for processing units (also simplifies later upgrading or conversion)
- Central waste and chip disposal, low energy requirement, environmental compatibility

**International after-sales support and servicing via remote diagnosis** helps save costs and increases machine uptime.

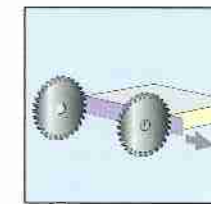


### Glue application

is performed using the quick melt unit: A shining example of Homag technology at its best. The glue tank lifts up in the event of a machine stop. The magazine is height adjustable to permit optimum edge control or glue roller run-on in case of a feed stop: We at Homag place particular emphasis on this type of detail. The optional gluing system PU 34 permits water and heat-resistant gluing on a polyurethane basis - for really unbeatable results.



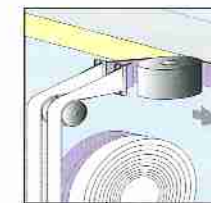
**The jointing edging Optimat** features a joint trimming unit upstream from the gluing unit. This is used for trimming and finishing work on the panel or for repairs - whether in longitudinal or transverse operation.



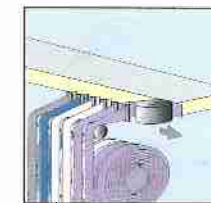
The basic machine equipment includes a **snipping unit** for flush end trimming of all overhanging edge material with adjustment from chamfer to straight cutting.

### Option:

Button-operated adjustment from chamfer to straight processing.

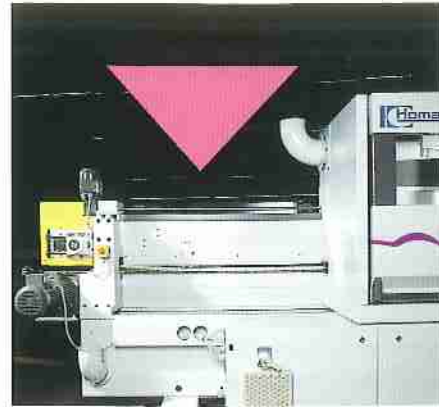


**As an optional extra:** 2 or 6-coil magazines are also available.





# The choice is yours: Free space for optional configuration



The KL 70 Optimats are typical through-feed machines with capability for complete processing of any workpiece. Complete in this context means without the need for any additional processing steps. To allow you maximum scope for choice, we are able to offer a wide range of units and optional extras - through to perfect finish processing.

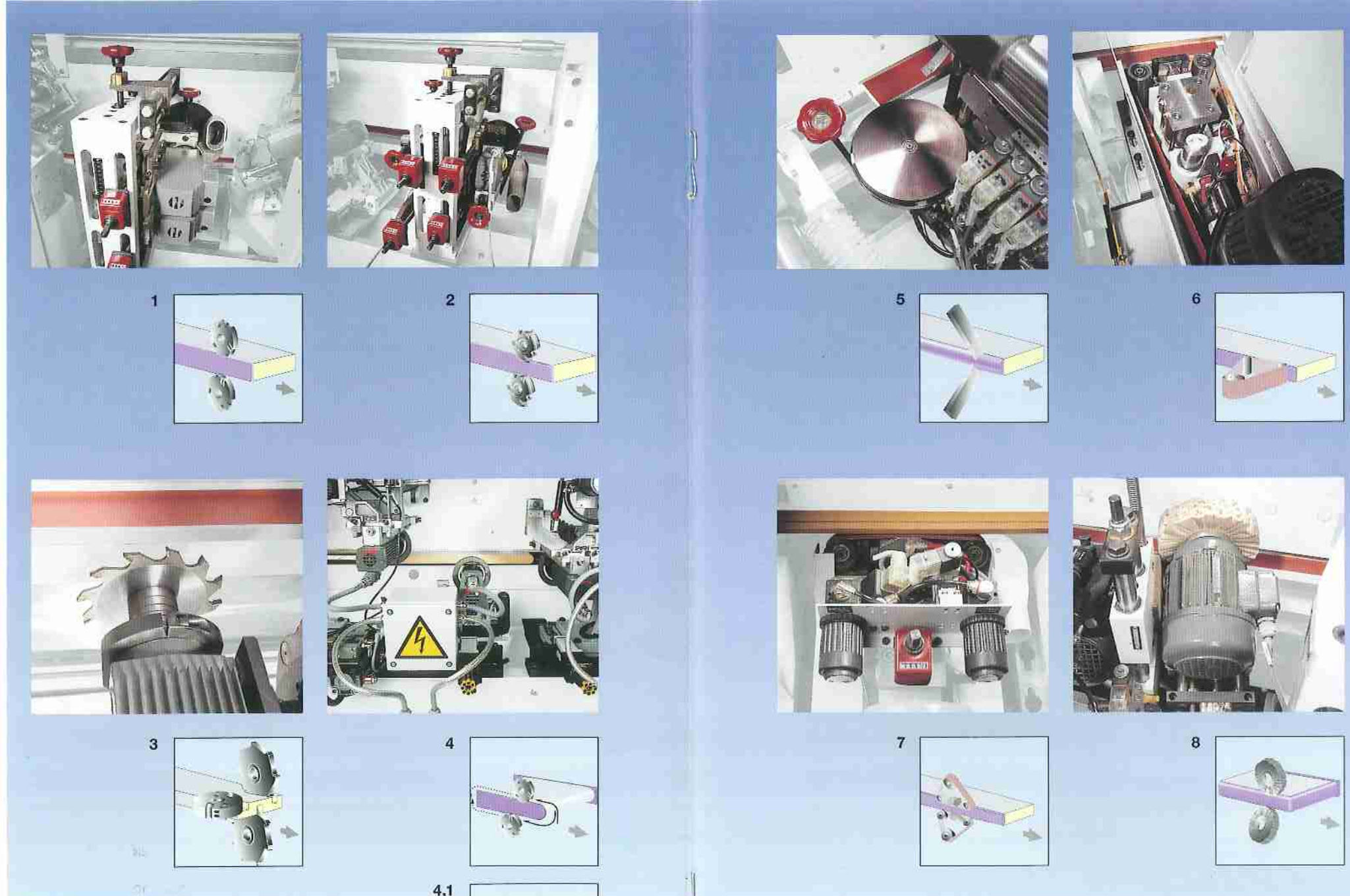
## Units for individual configuration

**1. Rough trimming unit**  
for rough trimming the upper and lower edge overhang.

**2. Trimming unit**  
for trimming chamfers or radii  
**Options:** Stepless trimming motor adjustment, electropneumatic adjustment of the trimming motor, trimming motor changing device.

**3. Universal trimming unit**  
for trimming rebates, grooves and profiles using a swivel-mounted 4 kW motor, intermediate support for electropneumatic intermittent control.  
**Options:** Tracing from above, lateral tracing.

**4. Profile trimming unit FK**  
for finish trimming of workpieces on all sides, also for transverse processing of postforming and softforming profiles. With automatic tool changer for different edge profiles, for example in the case of PVC or ABS edges.  
**Options:** Profile trimming exchange head and diamond tools for different edge profiles.



**4.1 Profile trimming unit FF 12**  
for finish trimming of workpieces on all sides, also for transverse processing of postformed and softformed profiles. Quick-action changer device for manual resetting to different edge profiles.  
**Options:** Changer device, reversible tipped tools for different edge profiles.

**5. Profile scraping device**  
for stripping chamfers and small radii above and below on PVC edges.  
**Options:** Pneumatic adjustment, chamfer cutter, profile cutter

**5.1. Multi-scraping device MN 10 above/below**  
for stripping chamfer and radii with multiple tool, max. 3 different profiles, electropneumatic adjustment. Set of profile cutters for max. 3 profiles.  
**Glue joint scraping device** for cleaning away glue residues.

**6. Belt sanding unit KS10**  
with oscillation for sanding straight veneer and solid wood edges.  
**Option:** Belt sanding unit adjustment

**7. Chamfer/radius sanding PS 40 top and bottom**  
for sanding chamfers and small radii on veneer and solid wood edges, including chamfer sanding pads  
**- Chamfer radius sanding PS 41 below**  
**- Chamfer radius sanding PS42 above**  
**Options:** Adjustment, steel profile sanding pad

**8. Buffing unit FS 40 top and bottom with oscillation**  
for imparting surface grip and polishing plastic edges

- Further options:**
- Electronic height adjustment, top pressure beam
  - Feed device
  - Stepless adjustment of the different processing units according to edge thickness
  - Edge heating
  - Preparation for electrical connection of finish processing units
  - Preparation for workpiece return feed system Boomerang



# Homatic: Fast, reliable control is now available to everyone

A modern machine control system has to offer more than just optimum reliability and economy. Today's user demands maximum operating simplicity and capacity for convenient programming. The new Homatic control generation is not only absolutely reliable but is also „child's play“ to operate.

## Homatic NC 16 or NC 21 – the choice is yours

The new Homatic class offers you two alternatives to choose from:

- Homatic NC 16 - a particularly low-cost standard control system which comes as a standard feature of the machine.
- Homatic NC 21 - control technology deluxe, making use of Windows technology for outstanding ease and convenience.



NC 16



NC 21

## Your bonus: added reliability

Homag control systems offer absolute operating reliability under even the toughest conditions. Even where dust and heat generation are at their most extreme, your Optimats will continue to produce optimum results.

## Programming – simplicity itself

The Homatic NC 16 comes with three basic programs as standard. These cover the majority of all occurring requirements. In addition, further processing programs can be entered simply and quickly in line with your individual needs. Once stored, the necessary data remains ready for future use at any time.

## Status information in plain language

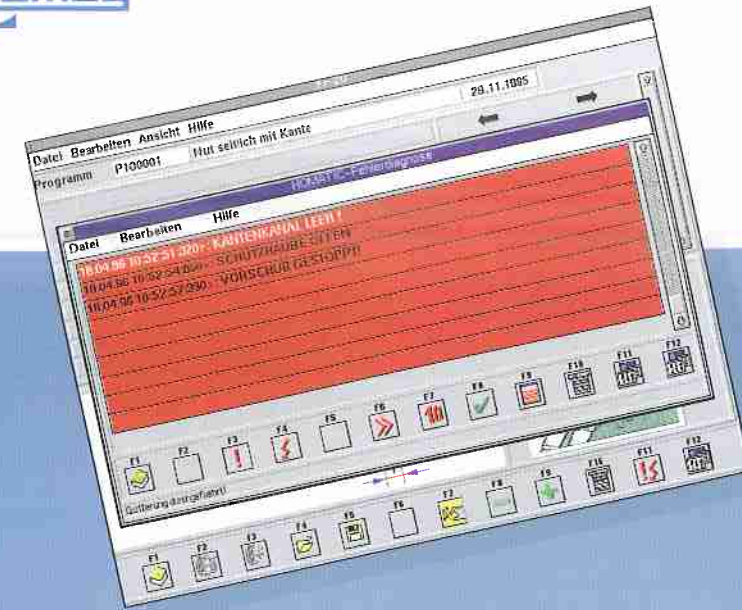
The machine display and operator guidance system allows you to „talk“ to your control system in plain terms right from the start. The control system will guide you step by step to your objective. Both the selection of programs and input of operating commands are indicated directly in the display.

## Convenient operation for the cabinet shop

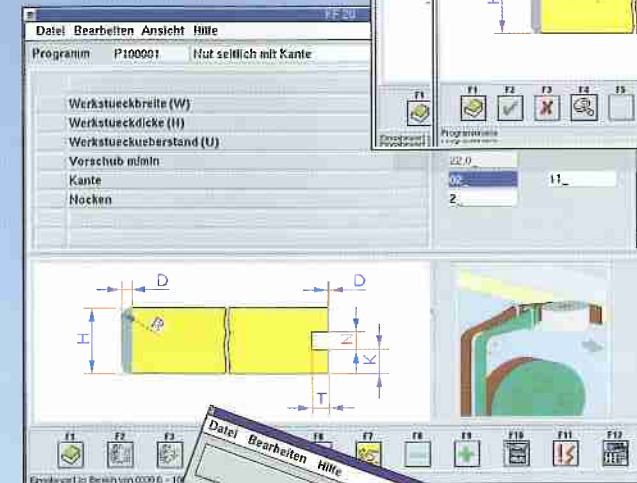
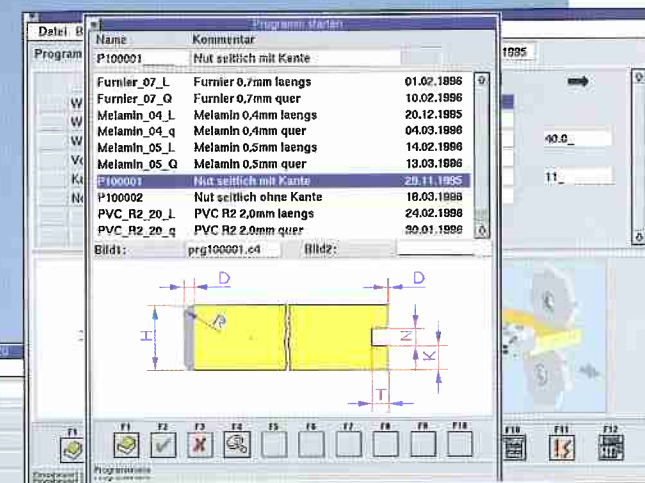
It has never been so easy to program and operate an edge banding machine. The latest Homatic control system NC 21 sets a new standard in terms of operating convenience. It was developed especially with the cabinet shop in mind. Users can implement familiar procedures and methods used in the processing of workpieces directly as inputs in the control system. The NC21 is fitted with a flat colour monitor and dust-proof PC keyboard for input of

data. It is based on the internationally familiar Windows standard, so permitting skills familiar from the PC to be simply and easily applied.

For each input, the user is aided by graphic support which portrays the meaning of the relevant input fields. Each entered value is also subjected to an instantaneous feasibility check, so practically eliminating the possibility of faulty inputs.

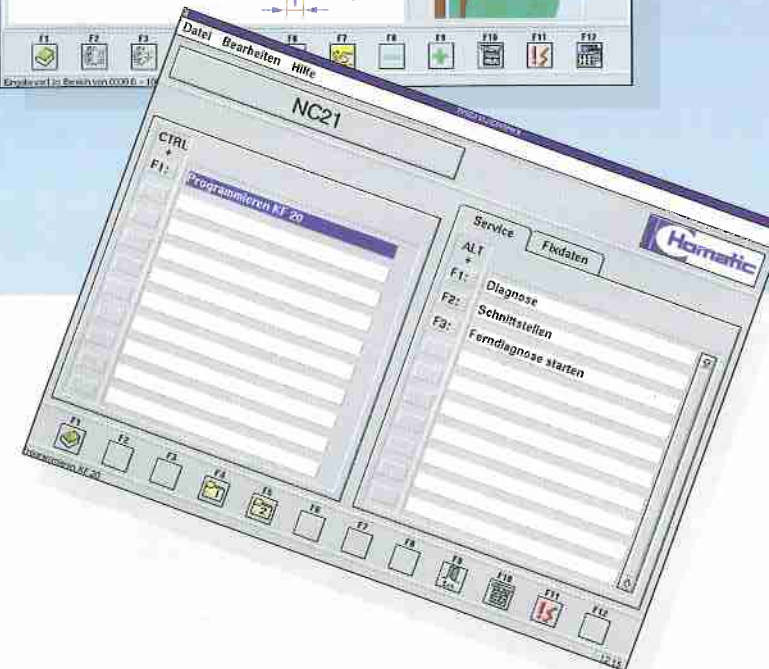


Frequently used settings can be simply stored in the form of processing programs on the control system's hard disk. Using the selection window, if required the necessary program can be selected - also with graphic support - and the relevant machine resettings performed.



## Remote diagnosis included

Direct error messages at the monitor (for example „Protective cover open“) permit fast response and reduced downtimes. And should a fault occur which you cannot deal with yourself, the Homag remote diagnosis service can help save a costly service call in almost all cases.





# It pays to be a Homag customer

## Remote diagnosis worldwide

All NC machines are fitted in the factory with a modem to allow remote diagnosis anywhere around the globe. A search for possible faults is performed from the Homag Service Centre. Once localized, errors can often be remedied immediately over the telephone line.

## Careful maintenance

Scheduled, correctly performed maintenance helps reduce costs and increase the productivity and service life of plant and machinery.

## Homag is everywhere

For you, the customer, a well-developed servicing, sales and dealer network means greater proximity, rapid response and improved customer support - around the world.

## Practically-oriented training

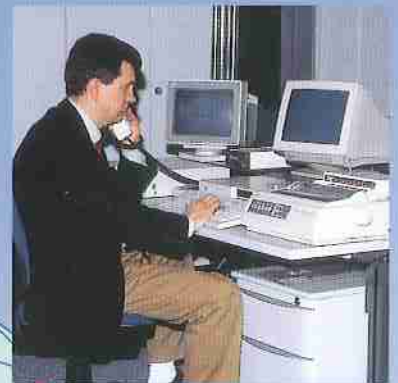
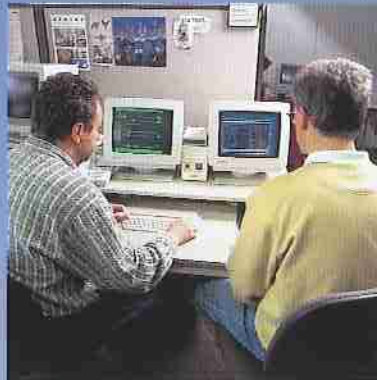
Although Homag products are designed for outstanding operating simplicity, thorough training does help cut down on commissioning times, reduces trial wastage, helps develop the skills of the operator and generally improves efficiency.

## Outstanding quality

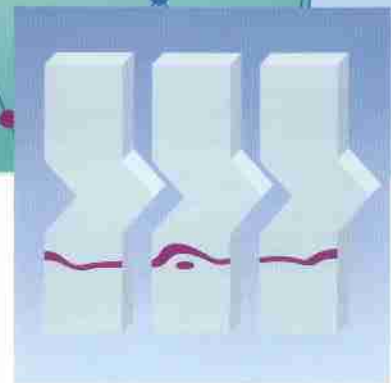
The Homag Group is certified to DIN EN ISO 9001 (TÜV CERT). At Homag, it is a matter of course for machines to comply with the CE standard. This provides you with the assurance of consistent, certified quality.

## Identical parts, simple handling

A large number of the parts, control elements and assemblies used in Homag Group plants and machines are identical. The wide-ranging benefits of this policy include simplified operation, lower costs, streamlining of spare parts management and also faster maintenance and servicing.



# DIN EN ISO 9001



# The Optimat KL series: Specifications

Machine type	KL 73				KL 74				KL 75				KL 76				KL 77				KL 78				KL 79			
Gluing unit	A3	A3/S2	A20	A20/S2	A3	A3/S2	A20	A20/S2	A3	A3/S2	A20	A20/S2	A3	A3/S2	A20	A20/S2	A3	A3/S2	A20	A20/S2	A3	A3/S2	A20	A20/S2	A3	A3/S2	A20	A20/S2
Free space in finish processing section mm	2180	1435	1380	635	2680	1935	1880	1135	3430	2545	2630	1745	4165	3420	3505	2620	4915	4170	4115	3370	5665	4920	4865	4080	6415	5670	5615	4870
Overall length mm	5630				6130				6880				7755				8615				9365				10115			
Overall weight, gross, appr., kg	3000				3500				3900				4400				4900				5700				6200			

## Machine dimensions

- Overall width - depending on magazine \_\_\_\_\_ min. \_\_\_\_\_ 2600 mm  
max. \_\_\_\_\_ 3600 mm
- Overall height noise protection cover \_\_\_\_\_ 1800/  
closed / open \_\_\_\_\_ 2050 mm
- Working height \_\_\_\_\_ 950 mm

## Working dimensions

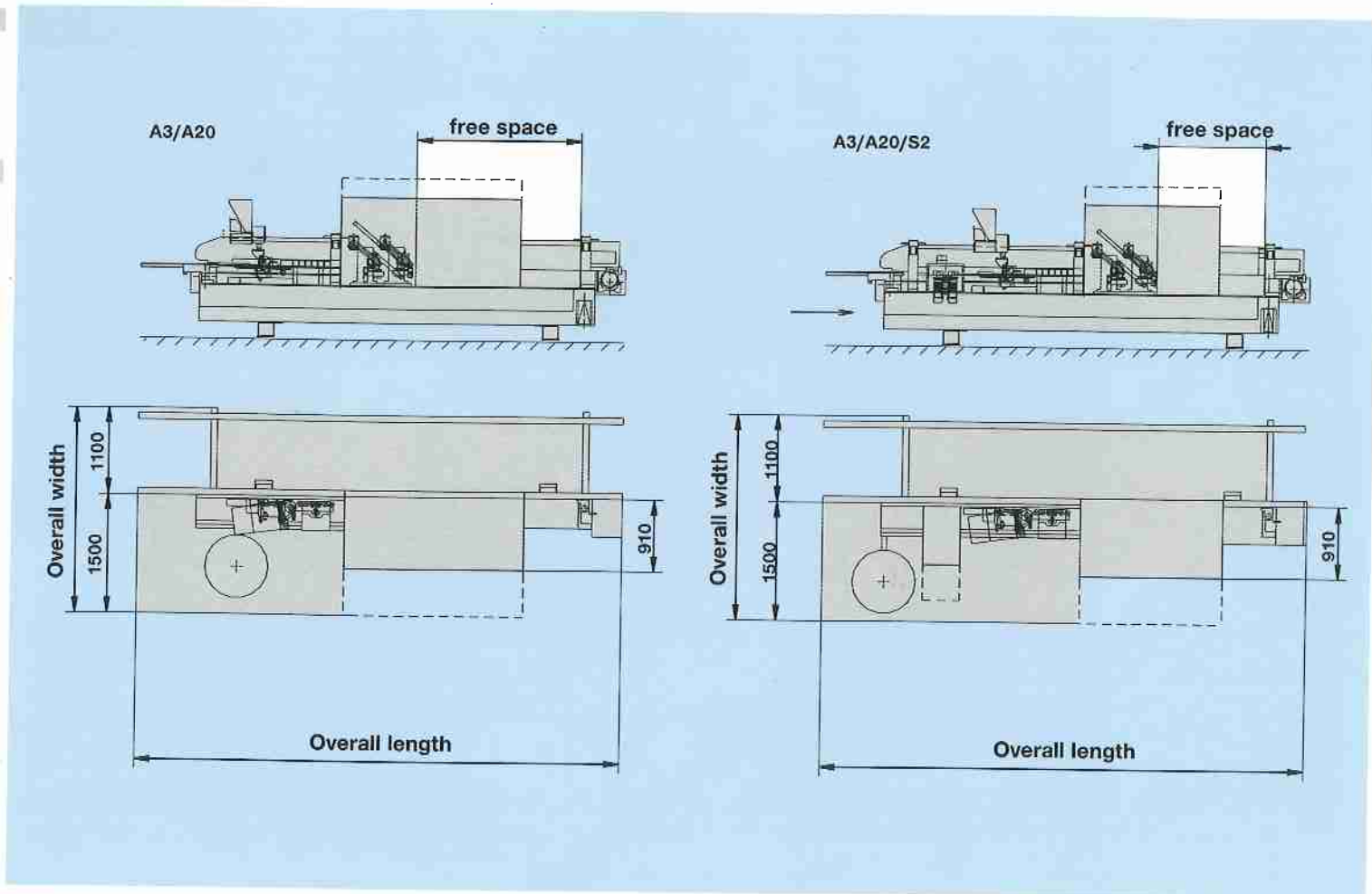
- Workpiece width min. \_\_\_\_\_ 55 mm  
with thickness 22 mm \_\_\_\_\_ 100 mm  
with thickness 60 mm \_\_\_\_\_ 100 mm
- Workpiece thickness \_\_\_\_\_ min. \_\_\_\_\_ 12 mm  
max. \_\_\_\_\_ 60 mm
- Workpiece overhang fixed \_\_\_\_\_ 30 mm
- Edge width \_\_\_\_\_ min. \_\_\_\_\_ 16 mm  
max. \_\_\_\_\_ 65 mm
- Edge thickness fixed length material/coils \_\_\_\_\_ min. \_\_\_\_\_ 0,3 mm  
A 3 \_\_\_\_\_ max. \_\_\_\_\_ 3 mm  
A 20 \_\_\_\_\_ max. \_\_\_\_\_ 20 mm
- Edge length  
A 3/A 20 coil \_\_\_\_\_ min. \_\_\_\_\_ 150  
A 20 fixed length material \_\_\_\_\_ min. \_\_\_\_\_ 200

## Connected loads

- Operating voltage \_\_\_\_\_ 400 V
- Control voltage \_\_\_\_\_ 24 V
- Frequency \_\_\_\_\_ 50/60 Hz
- Static frequency converter \_\_\_\_\_ mounted
- Switch cabinet \_\_\_\_\_ mounted
- Total connected electrical load \_\_\_\_\_ see installation diagram
- Overall extraction output (m<sup>3</sup>/h) with 28 m/sec compressed air consumption \_\_\_\_\_
- Compressed air connection \_\_\_\_\_ 8 bar  
R1/2" female thread  
supply pipe 1"

## Miscellaneous

- Feed \_\_\_\_\_ 18-24 m/min  
infinitely adjustable
- Customary voltage adaption via transformer \_\_\_\_\_ Option



Certain details of the provided specifications and photos may deviate from the supplied product. We reserve the right to make changes in the interest of progress.