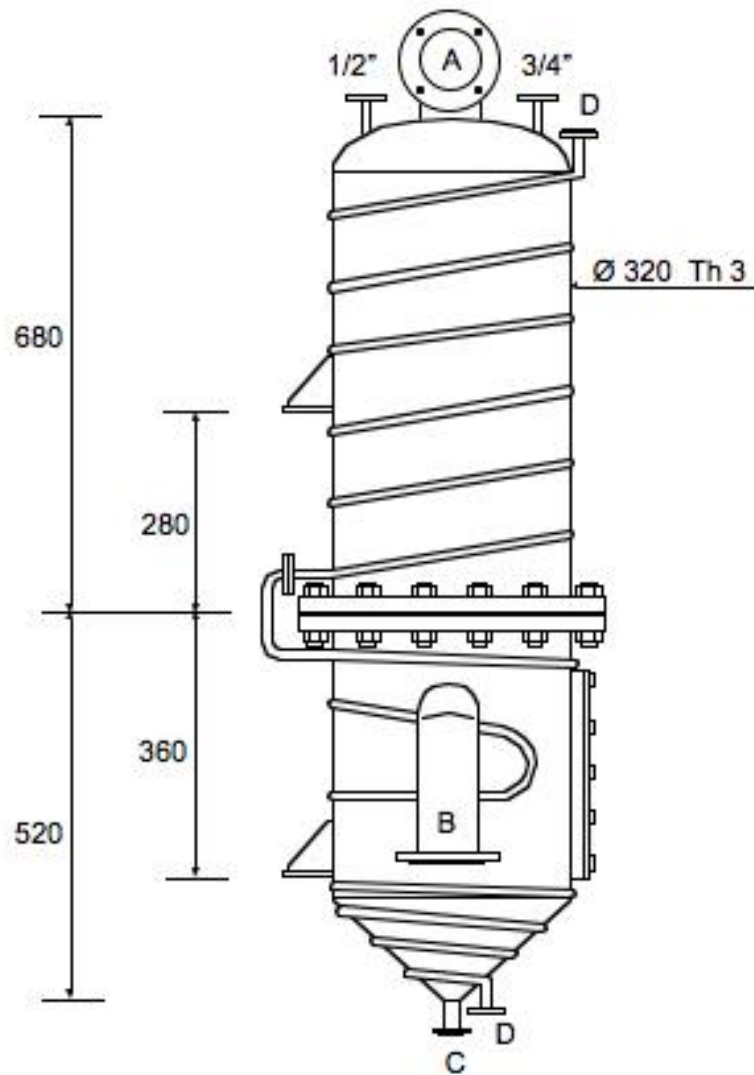


# COPRINOX

## VESSEL

Code n° VVS 001 0907

Location ref: C5

CAPACITY LITERS 100

SHELL SIDE

JACKET/COIL SIDE

Design Pressure KG/cm<sup>2</sup>  
Design Temperature °C  
Material

AISI 316

Carbon Steel

ANCC or ISPESL certification: NOT  
Availability in stock n° 01 units

## NOZZLE DIMENSIONS

Pos	Service	Size inch.
A	Product inlet	3"
B		3"
C	Product outlet	1"
D	Heating medium in-out	1/2"
E		

MANUFACTURER \_\_\_\_\_

- USED  
 USED RECONDITIONED  
 UNUSED

NOTE \_\_\_\_\_

WEIGHT (approx) Kg \_\_\_\_\_