



HSM 904 model series



Technical data

Engine:

- IVECO
- NEF 6 cyl. Common Rail Turbo / EuroMot TIER3
- Engine output: 175 kW (238 DIN horsepower)
- Max. rpm: 2200 rpm
- Max. torque: Depending on engine output: 1020 Nm at 1500 rpm
- Engine capacity: 6.7 litres

Transmission:

- 904H: HSM High Speed Drive (71 series)
- 904ZF: ZF 6WG-190 load switching converter transmission
6 forward gears, 3 reverse gears

Axles:

- Planetary axles, 100% selectable differential locks

Brake:

- 2-circuit brake, disk brake running in an oil bath
- Spring-loaded parking brake

Steering:

- Articulated steering, 44° steering angle

Diesel tank:

- 904H: 145 litres 904ZF: 180 litres

Hydraulics:

- Load sensing
- Pump output:

Flow rate:	290 litres/min at 1600 rpm
Pressure:	up to 350 bar
Option:	Flow rate: 232 litres/min at 1600 rpm
	Pressure: up to 350 bar
- Tank:

904H	904ZF:
145 litres	145 litres
- Hydraulic fluid: Saturated, synthetic ester
Panolin HLP SYNTH with Kleenoil
Microfiltration water hazard class 1
- Control block: Rexroth M4-12
- Crane control: CMC digital electronics with individually adjustable speeds and ramp times

Cab:

- Tilted cab, with hydraulic bearing, soundproofed
- ROPS, FOPS, OPS tested safety cab
- Swivel seat device, air-suspended comfort seat
- Hot water heating

Electrics / Instruments:

- CMC digital electronics with adjustable parameters
- 5 driving programs, multifunction display
- 24 V, 90 A alternator, two maintenance-free dry-cell batteries

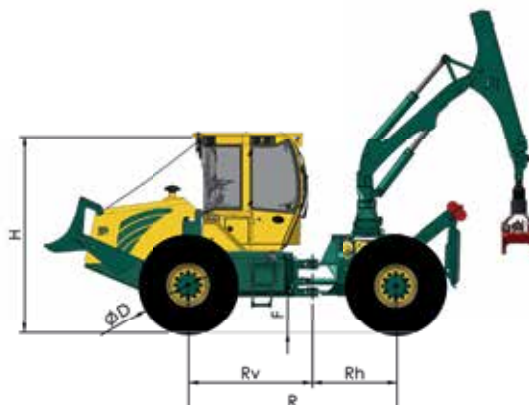
Standard equipment:

- 12 LED work lamps
- 24 V - 12 V voltage transformer, radio with CD player, fire extinguisher, first-aid kit, warning triangle, tool set

Special accessories:

- Tiltable front polder shield, front loader (Hauer), trailer hitch, Outer hydraulic connection, remote control for cable winch, wireless driving, heating/air-conditioning, auxiliary heating, Xenon work lamps, sun blinds, seat damping pad
- Additional accessories on request

904



Winches:

- Standard: Adler HY 20 (2 x 100 kN) double-drum winch
Max. cable take-up of 14 mm, 100 m
- Optional: Adler HY 24-SG (2 x 120 kN) double-drum winch
Max. cable take-up of 14 mm, 130 m
Adler HY 32-SG (2 x 160 kN) double-drum winch
Max. cable take-up of 16 mm, 100 m

Weight:

- 12500 kg (standard)
- Weight distribution: Front axle: 60%
Rear axle: 40%

Forwarder:

- Standard: Epsilon M80 R59
(Max. range 5.9 m, 95 kNm gross lifting moment)
- Cranes up to a lifting moment of 170 kNm and range of up to 10.4 m available (see separate crane list)

Tyres:

		23.1x26 series	28L-26	600/65-34	710/55-34	750/65-34	24.5-32	30.5-32
904H	D	1632	1644	1644	1650	1850	1831	1857
	B*	2360	2610	2360	2600	2680	2430	2730
	H	3165	3180	3180	3185	3280	3265	3270
	F	595	610	610	615	710	695	700
	Rv	1995	1995	1995	1995	1995	1995	1995
	Rh	1525	1525	1525	1525	1525	1525	1525
	R	3520	3520	3520	3520	3520	3520	3520

904ZF	H	3230	3245	3245	3250	3345	3335	3340
	F	465	480	480	485	580	570	575
	Rv	2050	2050	2050	2050	2050	2050	2050
	R	3575	3575	3575	3575	3575	3575	3575

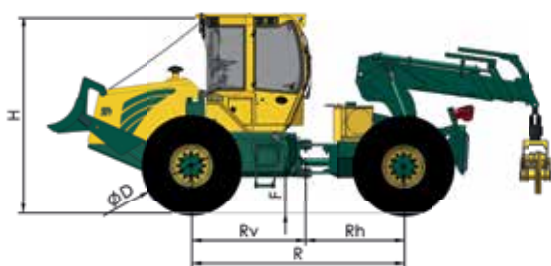
Standard equipment:

- Fixed front polder shield, 1600 mm wide
- Straight shield as sprag brake

Special equipment:

- Hydraulically height-adjustable roller block
- Clamping workbench on height-adjustable roller block
- Straight shield with sprag brake
- "Skidder France" version pulley
- Straight shield, rounded version
- Engine bonnet protection and brush guard made from tubing
- Torsion lock with 2 hydraulic cylinders
- Additional accessories on request

904Z



Winches:

- Standard: Adler EHY 10 (1 x 100 kN) single-drum winch
Max. cable take-up of 14 mm, 80 m
- Optional: Adler HY 20 (2 x 100 kN) double-drum winch
Max. cable take-up of 14 mm, 100 m
Adler HY 24-SG (2 x 120 kN) double-drum winch
Max. cable take-up of 14 mm, 130 m
Adler HY 32-SG (2 x 160 kN) double-drum winch
Max. cable take-up of 16 mm, 100 m

Weight:

- 12800 kg (standard)
Weight distribution: Front axle: 60%
Rear axle: 40%

Forwarder:

- Standard: Simple telescope: 3.2 m range
Gross lifting moment: 240 kNm
Swivel range: 155°
Pivoting moment: 50 kNm
Gripper cross-section: 1.2 m² (optional 0.9 m²)
- Optional: Double telescope: 4.7 m range
Articulated arm with simple telescope: 5.6 m range
Articulated arm with double telescope: 7.1 m range

Tyres:

	23.1x26 series	28L-26	600/65-34	710/55-34	750/65-34	24.5-32	30.5-32	
904H	D	1632	1644	1644	1650	1850	1831	1857
	B*	2360	2610	2360	2600	2680	2430	2730
	H	3165	3180	3180	3185	3280	3265	3270
	F	595	610	610	615	710	695	700
	Rv	1835	1835	1835	1835	1835	1835	1835
	Rh	1595	1595	1595	1595	1595	1595	1595
	R	3430	3430	3430	3430	3430	3430	3430
	904ZF	H	3230	3245	3245	3250	3345	3335
F		465	480	480	485	580	570	575
Rv		1890	1890	1890	1890	1890	1890	1890
R		3485	3485	3485	3485	3485	3485	3485

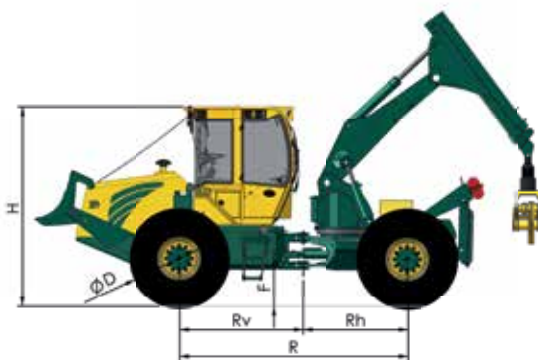
Standard equipment:

- Fixed front polder shield, 1600 mm wide
- Fixed straight shield plate with lowerable hydraulic forwarding pulleys
- Torsion lock with 2 hydraulic cylinders

Special equipment:

- Lowerable hydraulic straight shield plate
- "Skidder France" version pulley
- Engine bonnet protection and brush guard made from tubing
- Additional accessories on request

904ZL



Winches:

- Standard: Adler EHY 10 (1 x 100 kN) single-drum winch
Max. cable take-up of 14 mm, 80 m
- Optional: Adler HY 20 (2 x 100 kN) double-drum winch
Max. cable take-up of 14 mm, 100 m
Adler HY 24-SG (2 x 120 kN) double-drum winch
Max. cable take-up of 14 mm, 130 m
Adler HY 32-SG (2 x 160 kN) double-drum winch
Max. cable take-up of 16 mm, 100 m

Weight:

- 14000 kg (standard)
Weight distribution: Front axle: 60%
Rear axle: 40%

Forwarder:

- Standard: Articulated arm with simple telescope: 5.6 m range
Gross lifting moment: 270 kNm
Swivel range: 210°
Pivoting moment: 80 kNm
Gripper cross-section: 1.2 m² (opt. 0.9 m²)
- Optional: Articulated arm with double telescope: 7.1 m range

Tyres:

	23.1x26 series	28L-26	600/65-34	710/55-34	750/65-34	24.5-32	30.5-32	
904H	D	1632	1644	1644	1650	1850	1831	1857
	B*	2360	2610	2360	2600	2680	2430	2730
	H	3165	3180	3180	3185	3280	3265	3270
	F	595	610	610	615	710	695	700
	Rv	1995	1995	1995	1995	1995	1995	1995
	Rh	1693	1693	1693	1693	1693	1693	1693
	R	3688	3688	3688	3688	3688	3688	3688
	904ZF	H	3230	3245	3245	3250	3345	3335
F		465	480	480	485	580	570	575
Rv		2050	2050	2050	2050	2050	2050	2050
R		3743	3743	3743	3743	3743	3743	3743

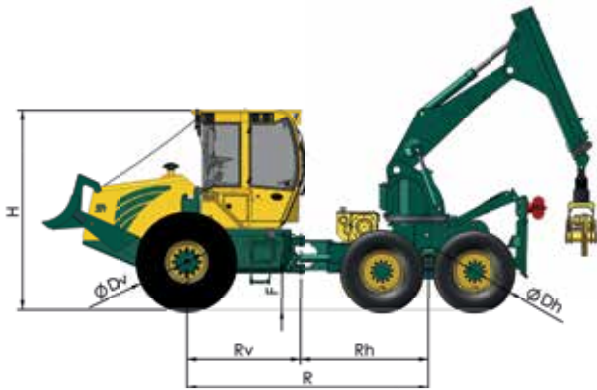
Standard equipment:

- Fixed front polder shield, 1600 mm wide
- Straight shield as sprag brake
- Torsion lock with 2 hydraulic cylinders

Special equipment:

- Hydraulically height-adjustable roller block
- Clamping workbench on height-adjustable roller block
- Straight shield with sprag brake
- "Skidder France" version pulley
- Straight shield, rounded version
- Engine bonnet protection and brush guard made from tubing
- Additional accessories on request

904Z 6WD



Winches:

- Standard: Adler HY 20 (2 x 100 kN) double-drum winch
Max. cable take-up of 14 mm, 100 m
- Optional: Adler HY 24-SG (2 x 120 kN) double-drum winch
Max. cable take-up of 14 mm, 130 m
Adler HY 32-SG (2 x 160 kN) double-drum winch
Max. cable take-up of 16 mm, 100 m

Weight:

- 16800 kg (standard)
- Weight distribution: Front axle: 50%
Rear axle: 50%

Forwarder:

- Articulated arm with double telescope: 7.1 m range
Gross lifting moment: 260 kNm
Swivel range: 255°
Pivoting moment: 80 kNm
Gripper cross-section: 1.2 m²

Tyres:

		23.1x26 (standard)	28L-26	600/65-34	710/55-34	750/65-34	24.5-32	30.5-32
904H	D	1632	1644	1644	1650	1850	1831	1857
	B*	2360	2610	2360	2600	2680	2430	2730
	H	3165	3180	3180	3185	3280	3265	3270
	F	595	610	610	615	710	695	700
	Rv	1835	1835	1835	1835	1835	1835	1835
	Rh	2070	2070	2070	2070	2070	2070	2070
	R	3905	3905	3905	3905	3905	3905	3905
904ZF	H	3230	3245	3245	3250	3345	3335	3340
	F	465	480	480	485	580	570	575
	Rv	1890	1890	1890	1890	1890	1890	1890
	R	3960	3960	3960	3960	3960	3960	3960

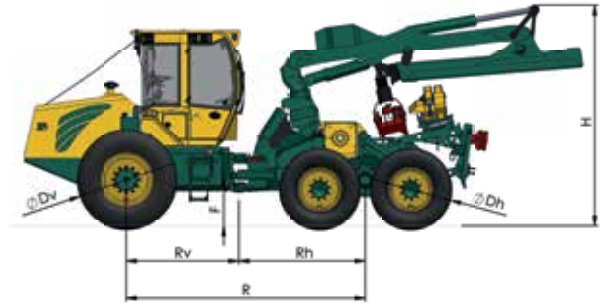
Standard equipment:

- Fixed front polder shield, 1600 mm wide
- Straight shield as sprag brake
- Torsion lock with 2 hydraulic cylinders

Special equipment:

- Hydraulically height-adjustable roller block
- Straight shield with sprag brake
- "Skidder France" version pulley
- Straight shield, rounded version
- Engine bonnet protection and brush guard made from tubing
- Additional accessories on request

904 6WD



Winches:

- Standard: Adler HY 20 (2 x 100 kN) double-drum winch
Max. cable take-up of 14 mm, 100 m
- Optional: Adler HY 24-SG (2 x 120 kN) double-drum winch
Max. cable take-up of 14 mm, 130 m
Adler HY 32-SG (2 x 160 kN) double-drum winch
Max. cable take-up of 16 mm, 100 m

Weight:

- 16,500 kg (standard)
- Weight distribution: Front axle: 50%
Rear axle: 50%

Forwarder:

- Standard: Tilttable Epsilon X150 R80
(Max. range 8 m, 170 kNm gross lifting moment)
- Optional: Tilttable Epsilon X150 R104
(Max. range 10.4 m, 170 kNm gross lifting moment)

Tyres:

		23.1x26 (standard)	28L-26	600/65-34	710/55-34	750/65-34	24.5-32	30.5-32
904H	D	1632	1644	1644	1650	1850	1831	1857
	B*	2360	2610	2360	2600	2680	2430	2730
	H	3165	3180	3180	3185	3280	3265	3270
	F	595	610	610	615	710	695	700
	Rv	1835	1835	1835	1835	1835	1835	1835
	Rh	2070	2070	2070	2070	2070	2070	2070
	R	3905	3905	3905	3905	3905	3905	3905
904ZF	H	3230	3245	3245	3250	3345	3335	3340
	F	465	480	480	485	580	570	575
	Rv	1890	1890	1890	1890	1890	1890	1890
	R	3960	3960	3960	3960	3960	3960	3960

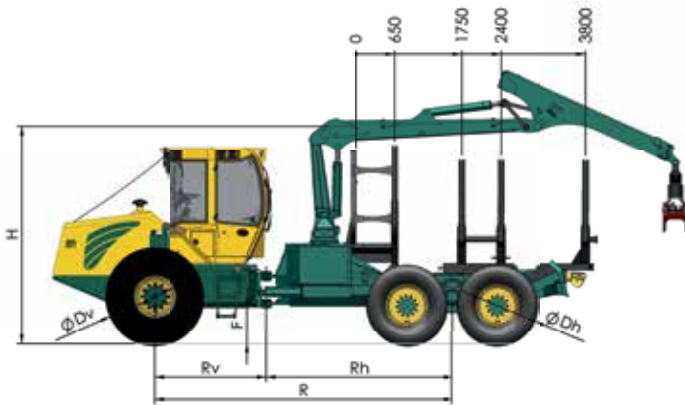
Standard equipment:

- Fixed front polder shield, 1600 mm wide
- Straight shield as sprag brake
- Torsion lock with 2 hydraulic cylinders

Special equipment:

- Hydraulically height-adjustable roller block
- Clamping workbench on height-adjustable roller block
- "Skidder France" version pulley
- Engine bonnet protection and brush guard made from tubing
- Additional accessories on request

904F Kombi short



Winches:

- Standard: Adler HY 20 (2 x 100 kN) double-drum winch
Max. cable take-up of 14 mm, 100 m
- Optional: Adler HY 24-SG (2 x 120 kN) double-drum winch
Max. cable take-up of 14 mm, 130 m
Adler HY 32-SG (2 x 160 kN) double-drum winch
Max. cable take-up of 16 mm, 100 m

Weight:

- 16,200 kg (standard)

Payload:

- 11 t

Forwarder:

- See crane list

Tyres:

		23.1x26 (standard) 710/45-26.5	28L-26 800/40-26.5	600/65-34 600/55-26.5	710/55-34 710/45-26.5	750/65-34 750/55-26.5	24.5-32 750/50-26.5	30.5-32 750/55-26.5
904H	Dv	1632	1644	1644	1650	1850	1831	1857
	Dh	1340	1340	1340	1340	1485	1465	1485
	B*	2600	2780	2380	2600	2680	2680	2730
	H	3595	3595	3595	3595	3655	3655	3655
	F	595	595	595	595	655	655	655
	Rv	1835	1835	1835	1835	1835	1835	1835
	Rh	3079	3079	3079	3079	3079	3079	3079
	R	4914	4914	4914	4914	4914	4914	4914
904ZF	H	3595	3595	3595	3595	3655	3655	3655
	F	465	465	465	465	525	525	525
	Rv	1890	1890	1890	1890	1890	1890	1890
	R	4969	4969	4969	4969	4969	4969	4969

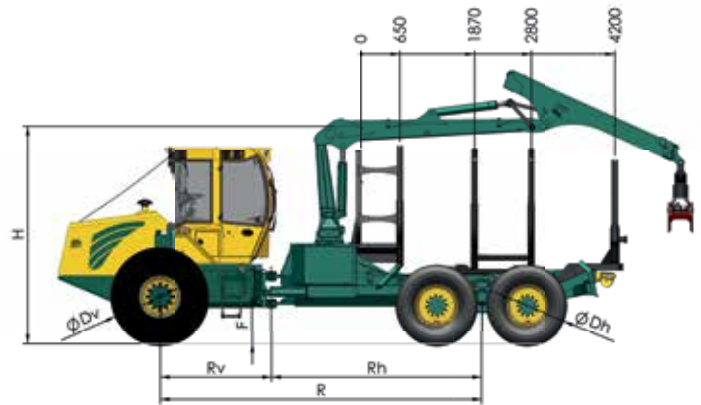
Standard equipment:

- Headboard grid and first stanchion removable
- Last stanchion can be removed and adjusted to 2.4 m, 3.2 m and 3.8 m
- Height-adjustable roller block
- Torsion lock with hydraulic cylinder

Special equipment:

- Front polder shield
- Straight shield
- Clamping workbench with quick-change plate
- Twin stanchions as 2nd and 3rd stanchion on quick-change plate
- Rotating stanchion
- Additional accessories on request

904F Kombi long



Winches:

- Standard: Adler HY 20 (2 x 100 kN) double-drum winch
Max. cable take-up of 14 mm, 100 m
- Optional: Adler HY 24-SG (2 x 120 kN) double-drum winch
Max. cable take-up of 14 mm, 130 m
Adler HY 32-SG (2 x 160 kN) double-drum winch
Max. cable take-up of 16 mm, 100 m

Weight:

- 16,400 kg (standard)

Payload:

- 11 t

Forwarder:

- See crane list

Tyres:

		23.1x26 series 710/45-26.5	28L-26 800/40-26.5	600/65-34 600/55-26.5	710/55-34 710/45-26.5	750/65-34 750/55-26.5	24.5-32 750/50-26.5	30.5-32 750/55-26.5
904H	Dv	1632	1644	1644	1650	1850	1831	1857
	Dh	1340	1340	1340	1340	1485	1465	1485
	B*	2600	2780	2380	2600	2680	2680	2730
	H	3595	3595	3595	3595	3655	3655	3655
	F	595	595	595	595	655	655	655
	Rv	1835	1835	1835	1835	1835	1835	1835
	Rh	1890	1890	1890	1890	1890	1890	1890
	R	5369	5369	5369	5369	5369	5369	5369
904ZF	H	3595	3595	3595	3595	3655	3655	3655
	F	465	465	465	465	525	525	525
	Rv	1890	1890	1890	1890	1890	1890	1890
	R	5439	5439	5439	5439	5439	5439	5439

Standard equipment:

- Headboard grid and first stanchion removable
- Last stanchion can be removed and adjusted to 2.8 m, 3.6 m and 4.2 m
- Height-adjustable roller block
- Torsion lock with hydraulic cylinder

Special equipment:

- Front polder shield
- Straight shield
- Clamping workbench with quick-change plate
- Twin stanchions as 2nd and 3rd stanchion on quick-change plate
- Rotating stanchion
- Additional accessories on request

The variable rear

HSM 904



Last stanchion variable in "short" position



Last stanchion variable in "centre" position



Last stanchion variable in "long" position



Quick-change twin stanchion for 2 x 2 or 2 x 2.5 m wood (not for 805F short version)



Height-adjustable pulleys Up to 2 m



Rope forwarding possible Without reconfiguring the stanchion



Log forwarding with quick-change clamping workbench



Rope forwarding possible without reconfiguring the clamping workbench

HSM Hohenloher Spezial-Maschinenbau GmbH & Co. KG

Technik die Freude macht.

X = available with surcharge O = standard equipment # = not available

	Crane type	Lifting moment	Range	Gripper type	904F
					Kombi
Mesera Loglift	F71 F72	99/75 kNm	7.2 m	FG43S	X
	F71 FT85	99/70 kNm	8.5 m	FG43S	X
	F71 FT100	99/66 kNm	10.0 m	FG43S	X
	F71 FT100i	99/66 kNm	10.0 m	FG43S	X
	F83 F72	106/82 kNm	7.2 m	FG43S	X
	F83 FT85	106/76 kNm	8.5 m	FG43S	X
	F83 FT100i	106/73 kNm	10.0 m	FG43S	X
	M 92 F80i	130/84 kNm	8.0 m	FG43S	X
	M 92 FT86i	130/84 kNm	8.6 m	FG43S	X
	M 92 FT100i	130/84 kNm	10.0 m	FG43S	X
	F111 F72	151/111 kNm	7.2 m	FG43S	X
	F111 F85	151/100 kNm	8.5 m	FG43S	X
	F111 FT85	151/100 kNm	8.5 m	FG43S	X
	F111 FT91	151/98 kNm	9.1 m	FG43S	X
	F111 FT100	151/101 kNm	10.0 m	FG43S	X
	M122 F85i	155/110 kNm	8.5 m	FG43S	X
	M122 F96i	155/ - kNm	9.6 m	FG43S	X
	M122 FT100i	155/ - kNm	10.0 m	FG43S	X
M142 F85i	178/132 kNm	8.5 m	FG43S	X	
M142 F96i	178/124 kNm	9.6 m	FG43S	X	
M142 FT100i	178/ - kNm	10.0 m	FG43S	X	
Epsilon	M70 F80	102/68 kNm	8.0 m	FG43S	O
	M70 F86	102/68 kNm	8.6 m	FG43S	X
	M70 F101	102/65 kNm	10.1 m	FG43S	X
	M80 F80	114/79 kNm	8.0 m	FG43S	X
	M80 F86	114/79 kNm	8.6 m	FG43S	X
	M80 F101	114/75 kNm	10.1 m	FG43S	X
	S100 F80	128/91 kNm	8.0 m	FG43S	X
	S100 F86	128/90 kNm	8.6 m	FG43S	X
	S100 F101	128/86 kNm	10.1 m	FG43S	X
	S110 F80	143/104 kNm	8.0 m	FG43S	X
	S110 F86	143/104 kNm	8.6 m	FG43S	X
	S110 F101	143/100 kNm	10.1 m	FG43S	X
	X120 F80	159/111 kNm	8.0 m	FG43S	X
	X120 F86	159/110 kNm	8.6 m	FG43S	X
X120 F102	159/107 kNm	10.2 m	FG43S	X	
X140 F80	173/123 kNm	8.0 m	FG43S	X	
X140 F86	173/122 kNm	8.6 m	FG43S	X	
X140 F102	173/119 kNm	10.2 m	FG43S	X	
Low crane pillar (height: 1730 mm)					

D-74635 Neu-Kupfer
Im Greut 10

Phone + 49 7944 / 9191-0

Fax + 49 7944 / 9191-77

E-mail: info@hsm-forest.com

www.hsm-forest.com

