

**WINKLER+
DÜNNEBIER** **WD**

141 G/GS



Rotary Envelope Machine





Rotary Envelope Machine

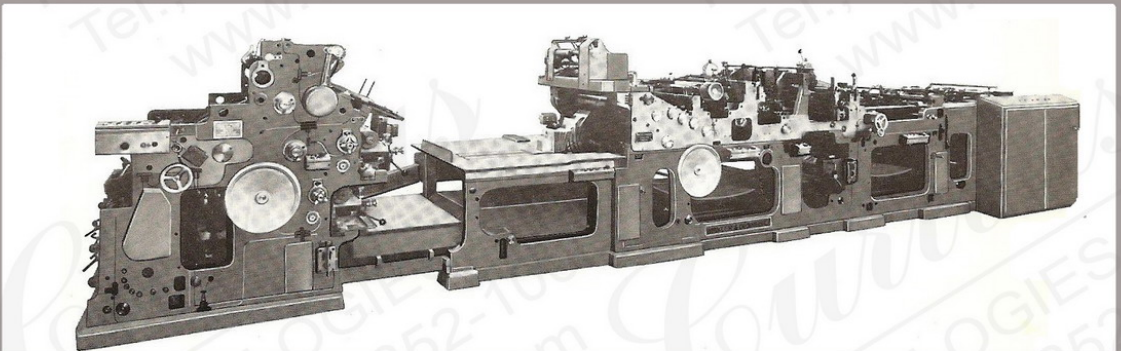
HELIOS 141 G/GS

The HELIOS 141 G is a rotary envelope making machine which is especially suitable for manufacturing large-sized envelopes. It can be equipped with one flexographic inside and two flexographic outside printing units.

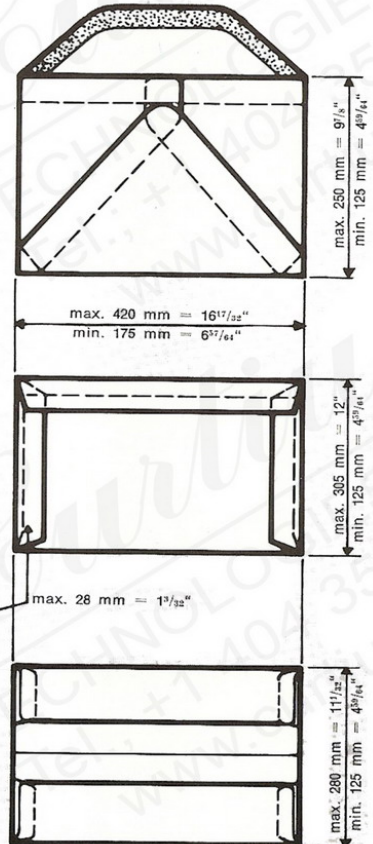
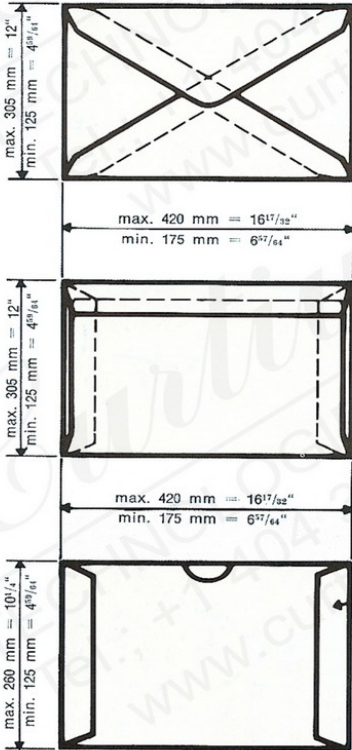
This machine has been designed for manufacturing diamond-shaped and wallet-shaped envelopes as well as money envelopes with safety fold (centre seam), double photo wallets and Constanzia envelopes with inner or outer side flaps.

On request, the machine can — immediately or subsequently — be completed by a window cutting and patching section to our Type 141 GS. By this additional equipment which operates with one-piece knives, it is possible to cut out several windows in one operation.

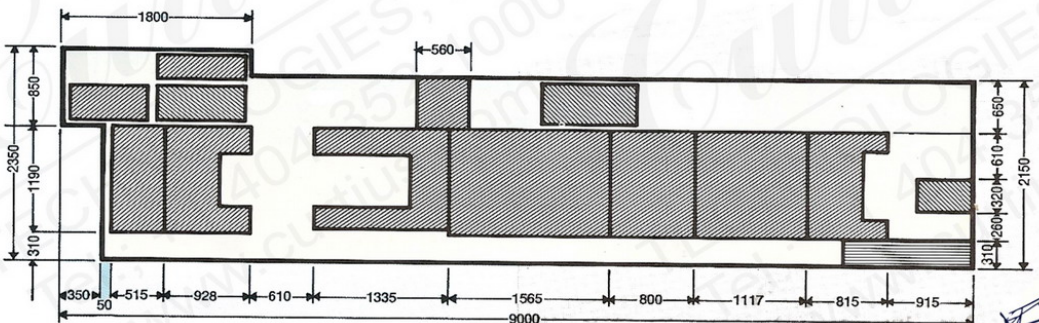
If required, the window patching section can be provided with a second glassine station, thereby permitting two glassine reels to be used of differing widths, lengths and colours for envelopes with several window apertures. Especially in case of large-sized envelopes, this second glassine section often shows up to a saving of 70 % in window material. The versatility of this machine has made it an indispensable element in a modern envelope manufacturing factory.

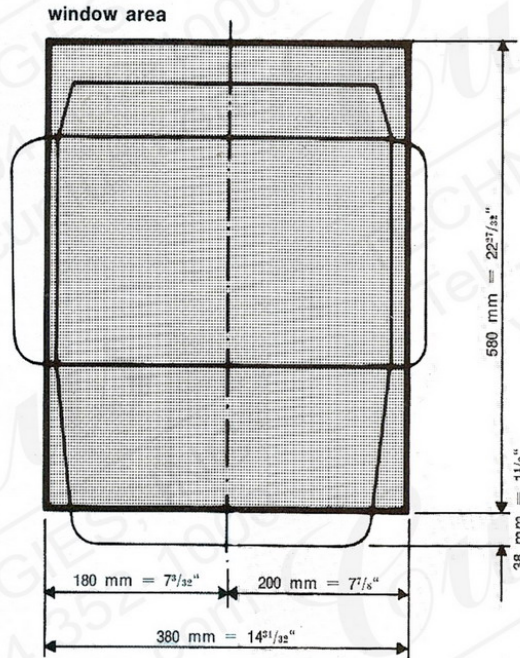


size ranges



Raumbedarf 141 G floor space required





max. 635 mm = 25"
min. 220 mm = 8.43/64"

max. 870 mm = 34.1/4"
min. 225 mm = 8.7/8"
max. 225 mm = 8.7/8"

max. 635 mm = 25"
min. 220 mm = 8.43/64"
max. 500 mm = 19.11/16"
min. 225 mm = 8.7/8"

1

2

490 mm = 19.9/32"
620 mm = 24.13/32"
250

56 kVA
30 kW

141 G = 14 800 kg
141 GS = 17 400 kg

envelope sizes

diamond shaped envelopes
overall blank length

width

side flap

Constanzia envelopes
(booklets)

overall blank length

width

inside printing unit (flexo)
outside printing units (flexo)
printing width — outside printing
inside printing

max. output envelopes per minute
power required:

motors abt.
electrical heating abt.
net weight abt.

Curtius

