



MIDI DRILL



900 mm 35,5 in	Max diameter
18 - 22 m 59 - 72 ft	Max depth
50 KW 67 HP	Diesel engine
35 KNm 25795 lbsft	Rotary head torque
10 ton 22040 lbs	Weight

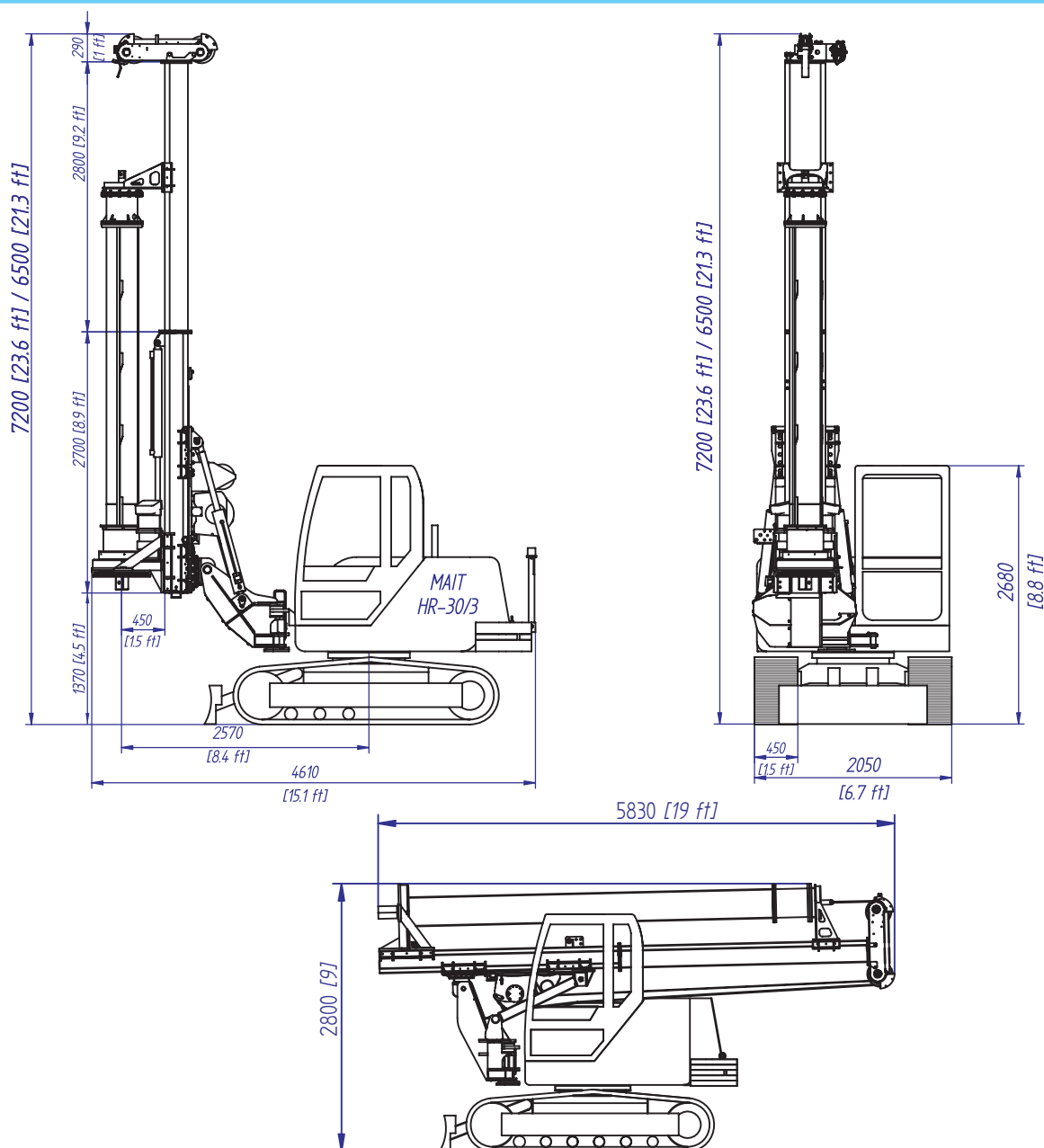


A big manufacturer of drilling rigs like MAIT has finally tackled the issue of mini-drills. After 50 years of experience, built by producing drill rigs for any kind of drilling. Thus, a new line of small drill rigs is borne, for jobs in narrow spaces and with limited heights.

TECHNICAL DATA

MIDI DRILL

Diesel engine	50 KW - 2300 rpm
Hydraulic system	2 PUMPS 167 + 60 l/min - 44,09 + 15,85 gal/min
Hydraulic tank	70 l - 18,48 gal
Fuel tank	100 l - 26,40 gal
Main winch	2500 daN - 5625 lbs
Service winch	1000 daN - 2250 lbs
Length max	4300 mm - 169,29 in
Crawler	Length 2875 mm - 113,19 in Shoe 450 mm - 17,72 in



01/2006. Tutti i dati tecnici sono indicativi. MAIT si riserva il diritto di modificarli opportunamente. All technical data indicated are to be considered as approximate. MAIT reserves the right to modify them opportunely.

