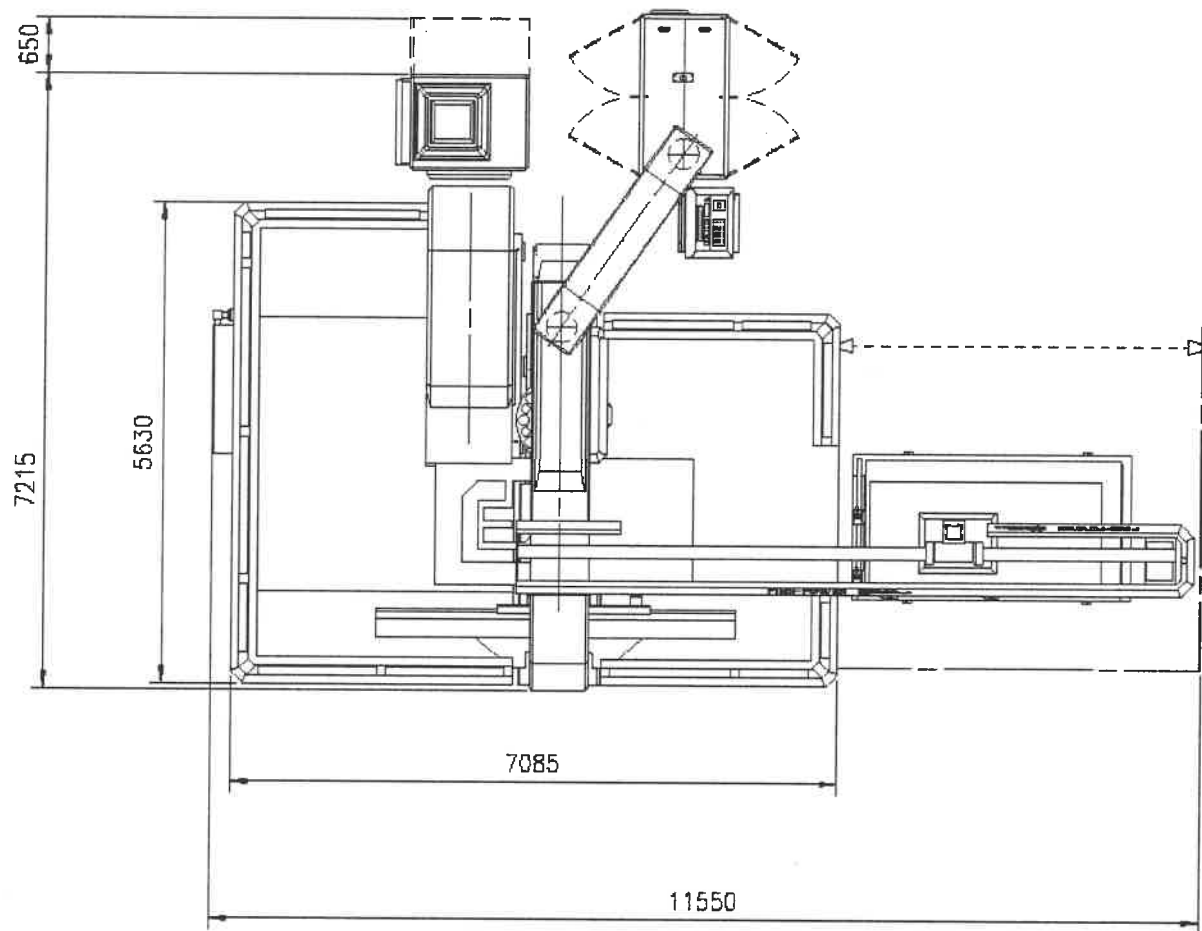


10.2. Dimension: TRS6



11. Foundation drawing

