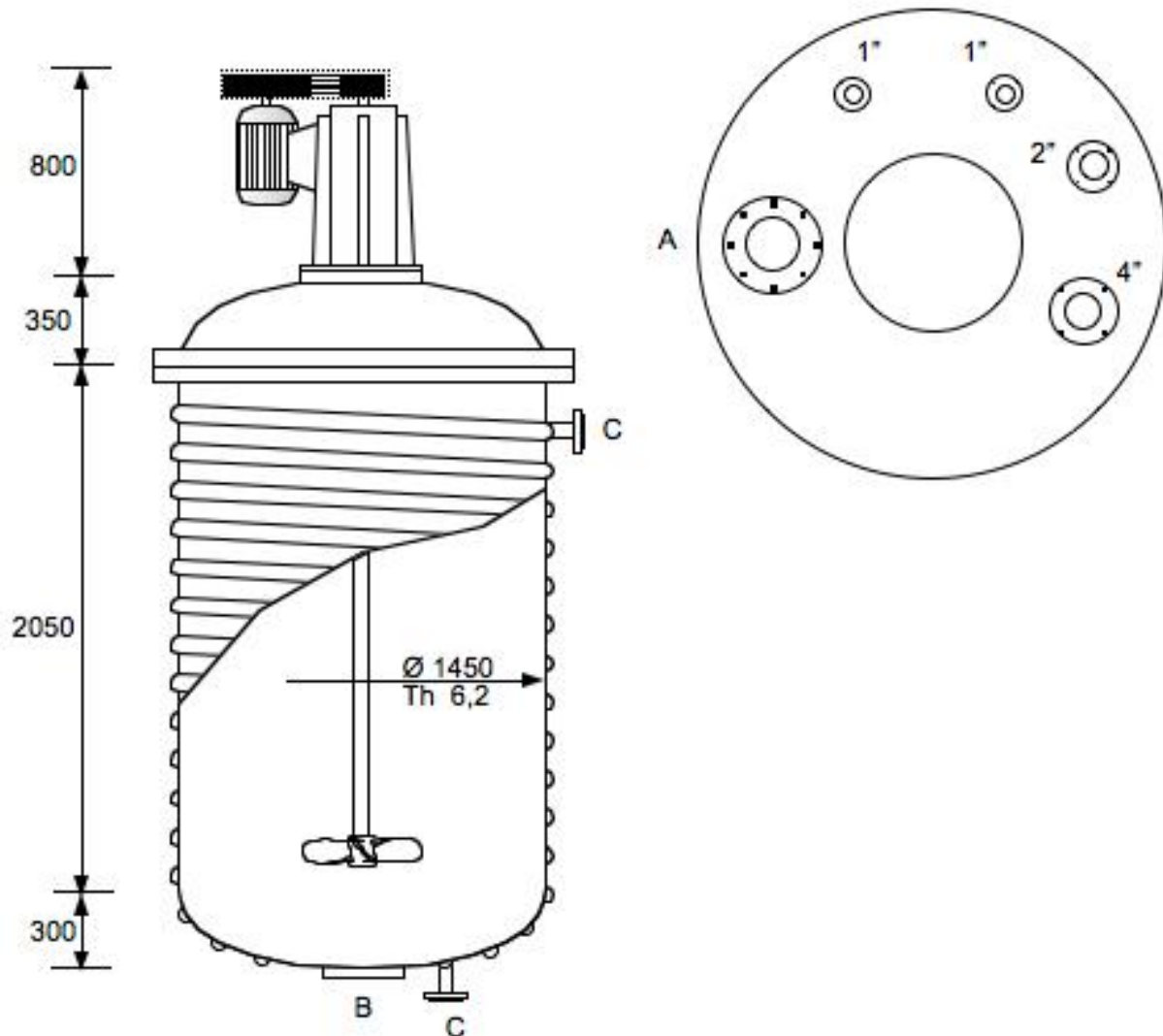


# COPRINOX

## AGITATED VESSEL

Code n° **RAS 035 0901**

Location ref: 96 A3



<b>CAPACITY LITERS</b> <u>3.500</u>	<b>SHELL SIDE</b>	<b>JACKET/COIL SIDE</b>	
Design Pressure KG/cm <sup>2</sup>	3	5	
Design Temperature °C	150	200	
Material	AISI 304	Carbon Steel	
ANCC or ISPESL certification: <u>NOT</u>	<b>NOZZLE DIMENSIONS</b>		
Availability in stock n° <u>01</u> units	<b>Pos</b>	<b>Service</b>	<b>Size inch.</b>
<b>MANUFACTURER:</b> _____	A	Vapours outlet	6"
<input checked="" type="checkbox"/> USED	B	Product outlet	3"
<input type="checkbox"/> USED RECONDITIONED	C	Heating medium in-out	1"1/4
<input type="checkbox"/> UNUSED	D		
<b>WEIGHT (approx) Kg</b> _____	E		
	<b>NOTE</b>	AMMACCATURA SUL BOCCELLO DI FONDO	