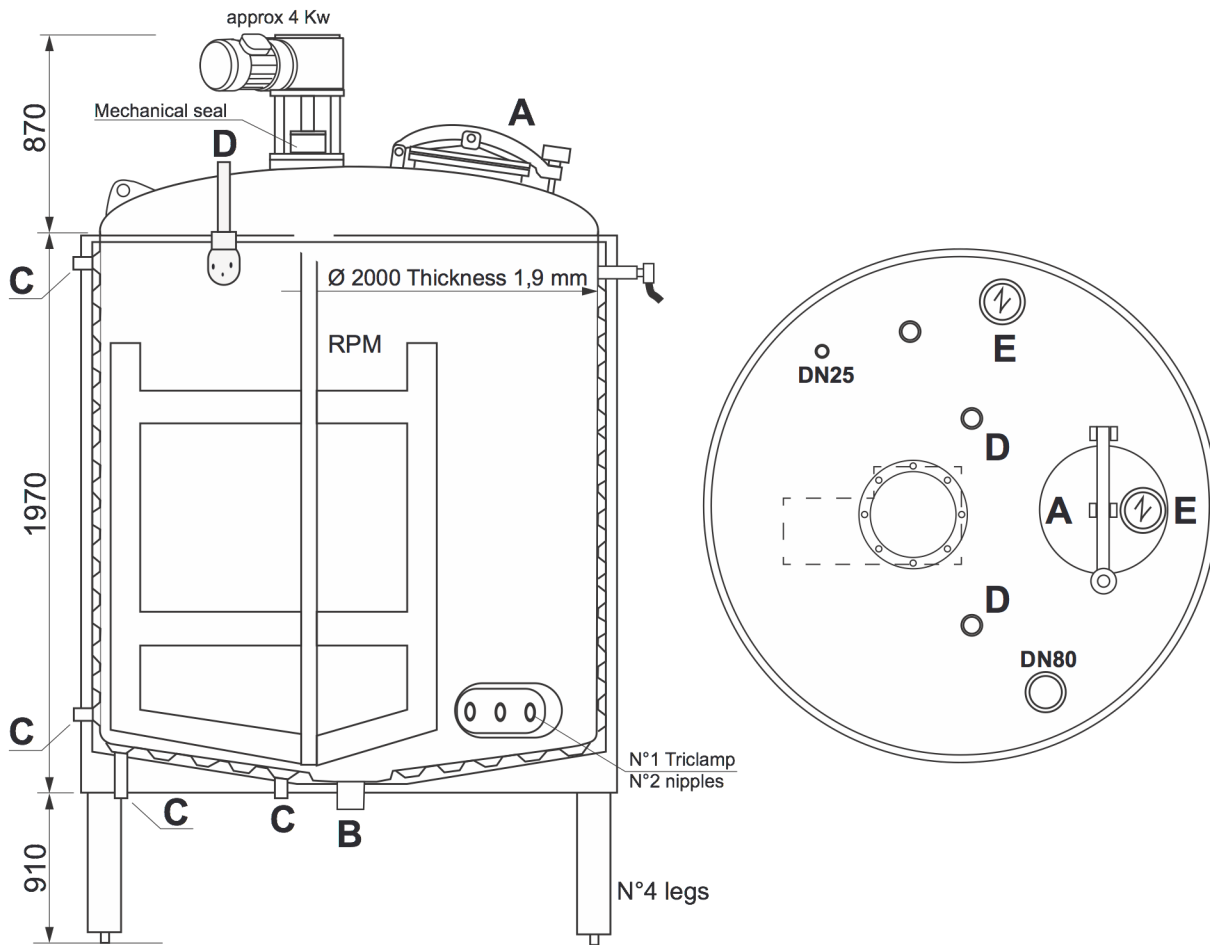


# COPRINOX

## AGITATED VESSEL

Code n° **RAJ 050 1387**

Location ref: 19 T2



<b>CAPACITY LITERS</b> <u>5.000</u>	<b>SHELL SIDE</b>	<b>JACKET/COIL SIDE</b>	
Design Pressure KG/cm2 Design Temperature °C Material	AISI 316	AISI 304	
ANCC or ISPESL certification: <u>NOT</u> Availability in stock n° <u>02</u> units	<b>NOZZLE DIMENSIONS</b>		
<b>MANUFACTURER:</b> <u>AZZINI</u>	<b>Pos</b>	<b>Service</b>	<b>Size inch.</b>
<input checked="" type="checkbox"/> USED <input type="checkbox"/> USED RECONDITIONED <input type="checkbox"/> UNUSED	A	Man hole	DN420
	B	Product outlet	DN100
	C	Heating medium in-out	DN50
	D	Sprayball	DN25
	E	Sight glass	DN80-100
<b>WEIGHT (approx) Kg</b> <u>1200</u>	<b>NOTE</b>	Type AZZ/TIN/B	