

## Continuous Motion Bagger for Efficient Production

# SVE 2520 AR



**BOSCH**

Invented for life



### Benefits

- ▶ Continuous motion for high productivity
- ▶ Open design for easy access, operation and maintenance
- ▶ Low machine height for product-conserving filling

### Continuous Motion

- ▶ Designed to package a large variety of products at high speeds
- ▶ Continuous motion vacuum draw-off belts ensure gentle film transport and constant bag length
- ▶ Constant web tension reduces mechanical load of film
- ▶ Filling on downwards moving sealing jaws prevent product damage

### Machine Design

- ▶ Low machine height for product-conserving filling
- ▶ Easy access to format parts accelerates changeovers and maintenance
- ▶ Round forming tube achieves maximum product throughput
- ▶ Easy integration of applicators and ultrasonic sealing unit

### Efficient Production

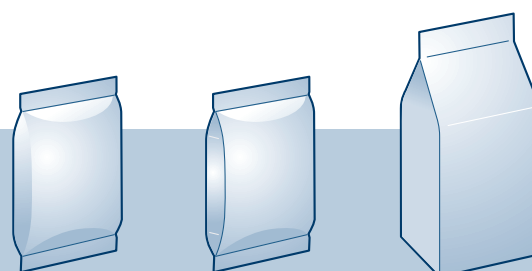
- ▶ Reliable servo technology with low maintenance
- ▶ Precise and controlled machine movements improve speed and bag quality
- ▶ Display of current process parameters alongside input data for fast problem detection
- ▶ Memory of more than 100 recipes, which can be retrieved and adjusted at the push of a button
- ▶ Application related adjustment of sealing parameters for reliable seams and processing of diverse film materials with different thicknesses

### Line Integration, Module++

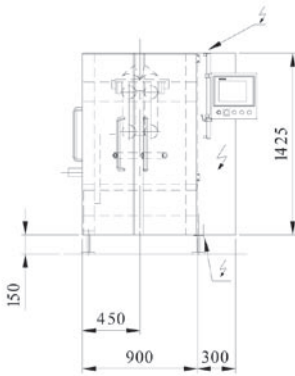
- ▶ Easy combination with up- and downstream equipment
- ▶ Reduced overall machine costs due to use of standard machines

### Bag styles:

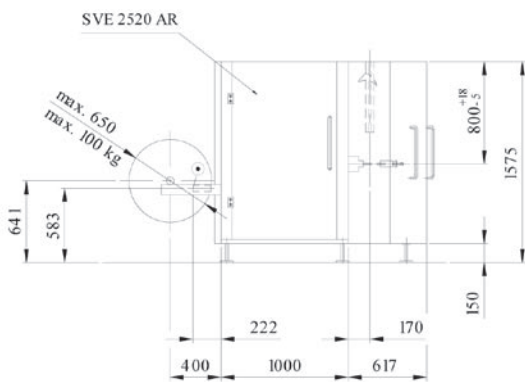
Pillow bag, gusseted bag, block-bottom bag



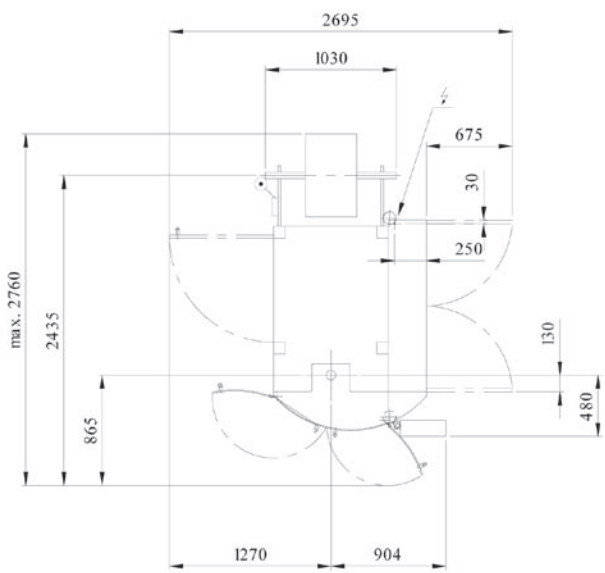
Scale Drawing – Front View



Scale Drawing – Side View



Scale Drawing – Top View



- if applicable: local agent address -

Technical Specifications

Mechanical output

15–200 bags/min

Bag size

Width: 65–250 mm

Length: 60–500 mm

Stand-up bags

Minimum

Width: 40 mm

Depth: 25 mm

Maximum

Width: 220 mm

Depth: 105 mm

Total width + depth: max. 250 mm

Compressed air requirement

0.2 l/cycle at minimum pressure of 5 bar

1.3 l/cycle for PE-welding

Machine weight

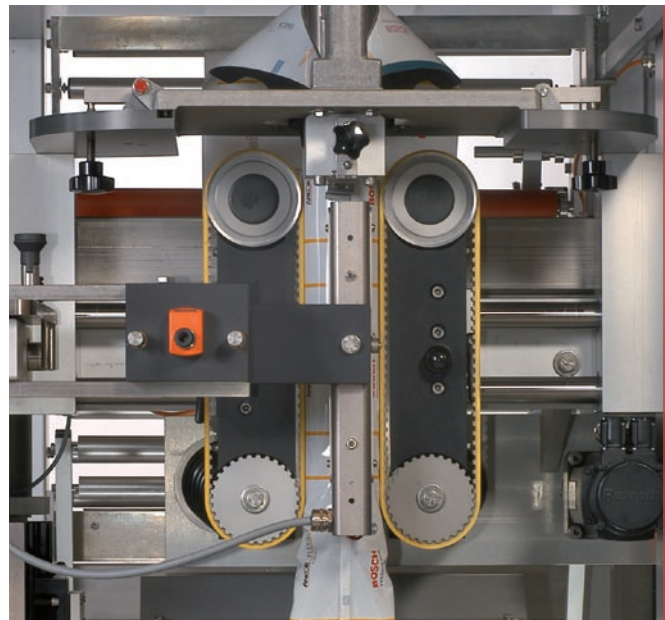
Approx. 920 kg

Machine dimensions

1,200 x 2,017 x 1,575 mm (W x D x H)

Packaging materials

Imprinted and non-imprinted packaging material off the reel, heat-sealable packaging material and weldable monofilm off the reel



Robert Bosch Packaging Technology B.V.  
 Industriekade 43  
 NL-6001 SE Weert  
 Telephone: +31 495 574 000  
 Telefax: +31 495 574 094  
 E-Mail: sales.vffs@bosch.com  
 www.boschpackaging.com

