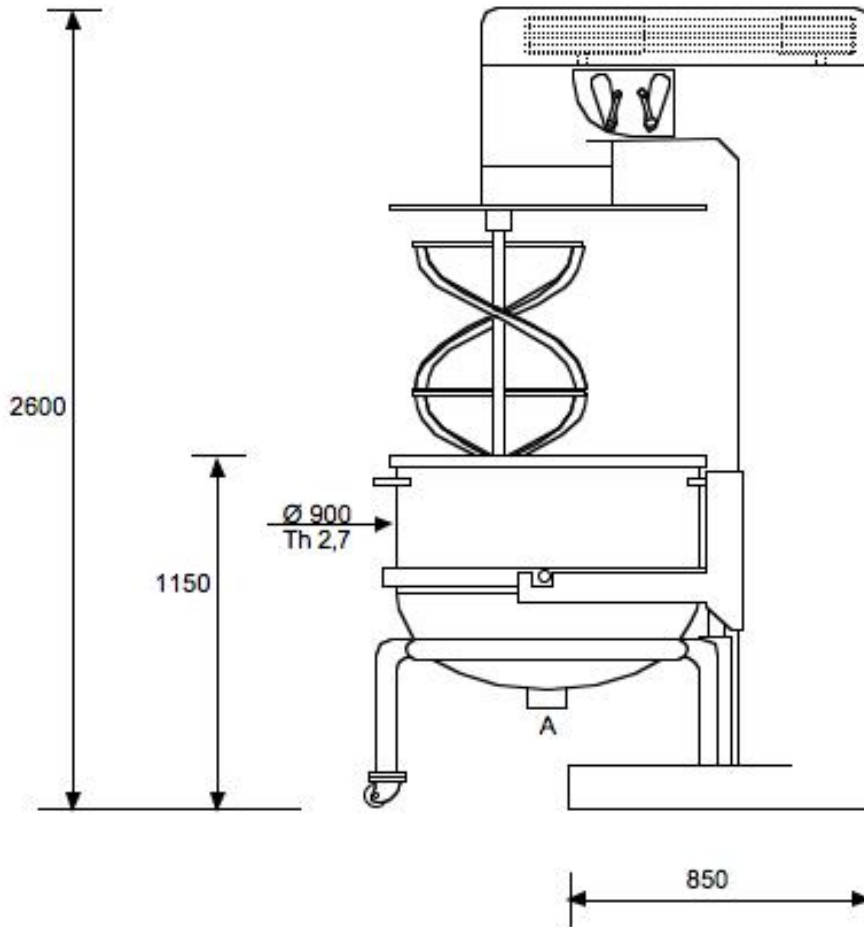


COPRINOX

MIXER

Code n° MX 005 0056

Location ref: 93 G1

CAPACITY LITERS 450

SHELL SIDE

JACKET/COIL SIDE

Design Pressure KG/cm2
Design Temperature °C
Material

AISI 316

MIXER TYPE: COLETTE PLANETAIRE MIXERCover type: _____
Shaft seal: _____Installed power HP: 10
Shaft speed RPM: _____ANCC or ISPESEL certification: NOT
Availability in stock n° 02 unitsMANUFACTURER : COLETTE/TYPE IM 4500 USED
 USED RECONDITIONED
 UNUSEDWEIGHT (approx) Kg 1900

NOZZLE DIMENSIONS

Pos	Service	Size inch.
A	Product outlet	4"
B		
C		
D		
E		

NOTE _____

