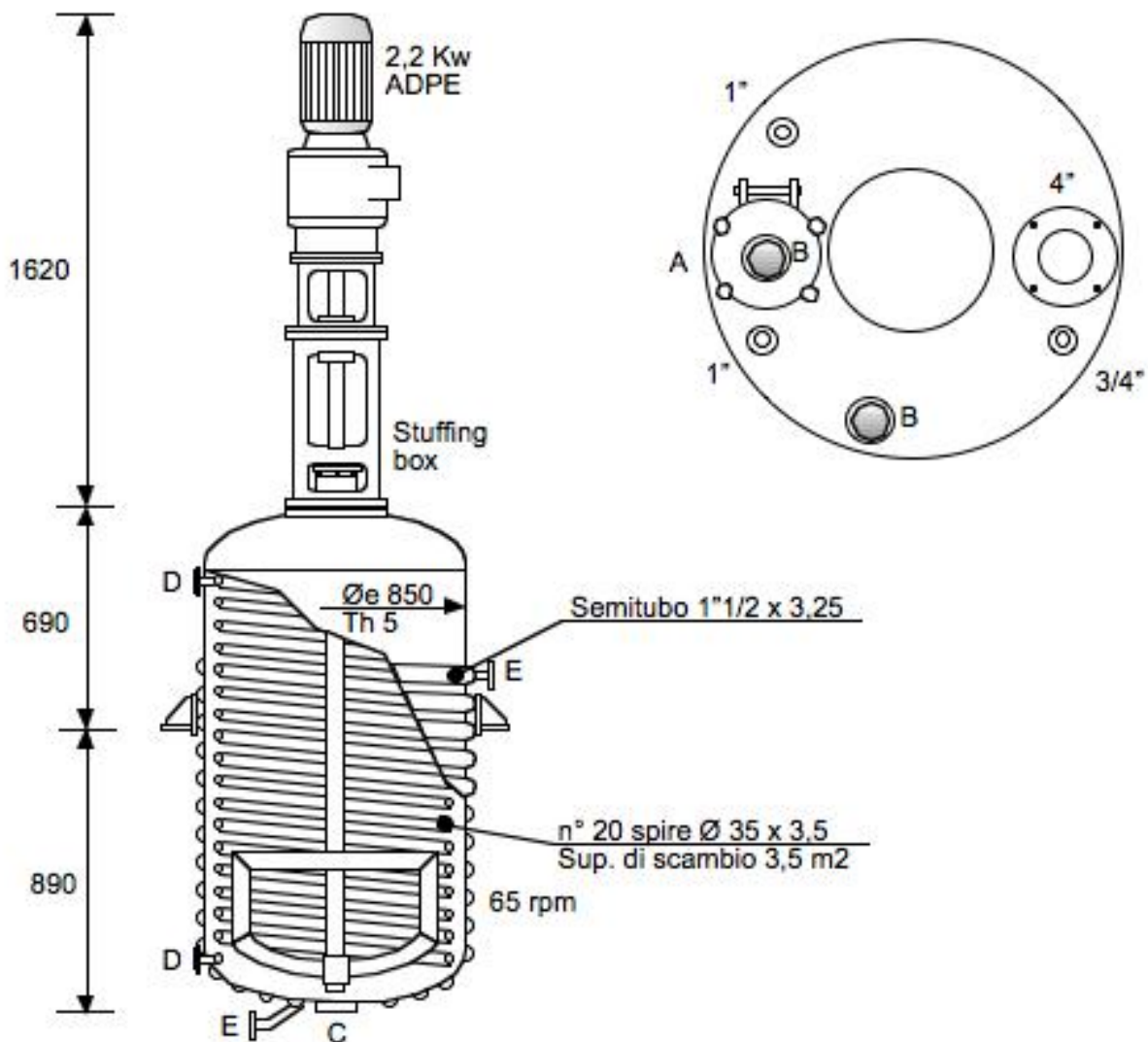


COPRINOX

AGITATED VESSEL

Code n° RASC 006 1118

Location ref: 99 C2

CAPACITY LITERS **680**

SHELL SIDE

JACKET/COIL SIDE

Design Pressure KG/cm2
Design Temperature °C
Material

4

8

175

175

AISI 316

Carbon Steel

ANCC or ISPESL certification: **MI 527853**Availability in stock n° **01** unitsMANUFACTURER: **TREMOLADA** USED
 USED RECONDITIONED
 UNUSED

NOZZLE DIMENSIONS

Pos	Service	Size inch.
A	Man hole	5"
B	Sight glass	3"
C	Product outlet	2"
D	Heating water in-out	1"1/4
E	Heating medium in-out	1"

NOTE

WEIGHT (approx) Kg **1000**