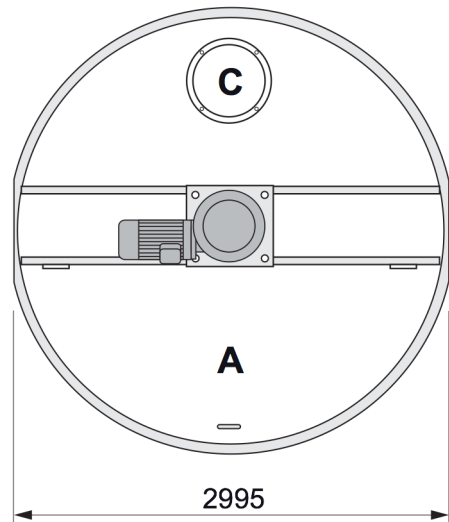
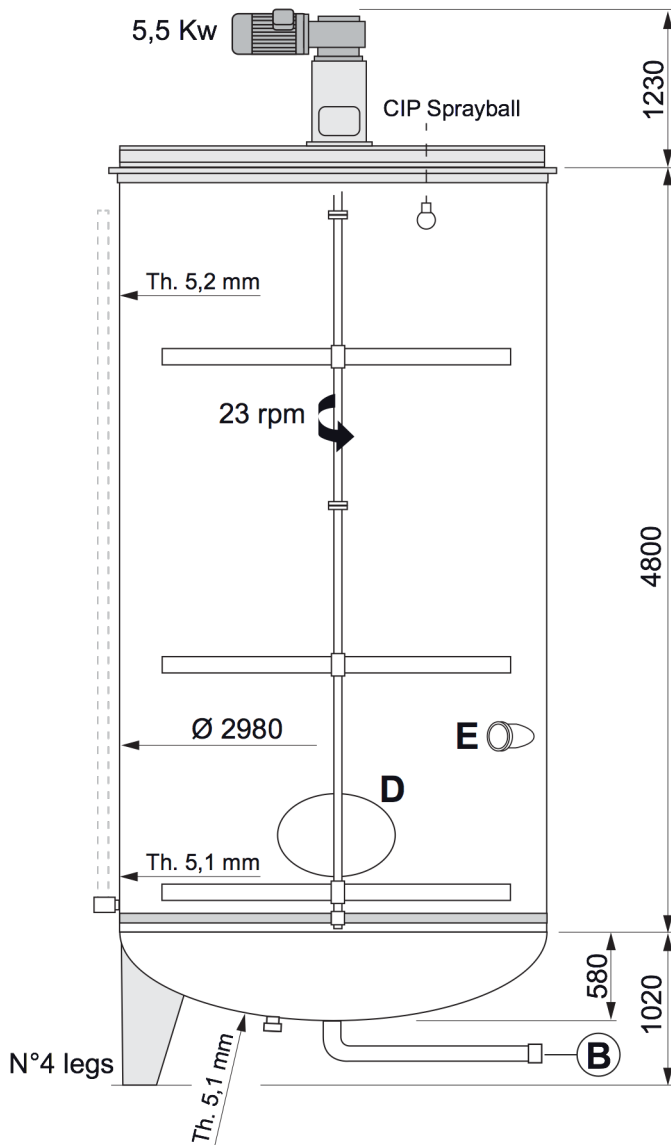


COPRINOX

VESSEL

Code n° **VV 400 1580**

Location ref: 19 B4



CAPACITY LITERS <u>36.000</u>	SHELL SIDE	JACKET/COIL SIDE
Design Pressure KG/cm2	Atm	--
Design Temperature °C	--	--
Material	AISI 304	--
ANCC or ISPESEL certification: <u>N.A</u>	NOZZLE DIMENSIONS	
Availability in stock n° <u>1</u> units	Pos	Service
MANUFACTURER _____	A	Hinged top cover
<input checked="" type="checkbox"/> USED	B	Product outlet
<input type="checkbox"/> USED RECONDITIONED	C	Product inlet / Manhole
<input type="checkbox"/> UNUSED	D	Manhole
WEIGHT (approx) Kg <u>3640.</u>	E	Service
	NOTE _____	