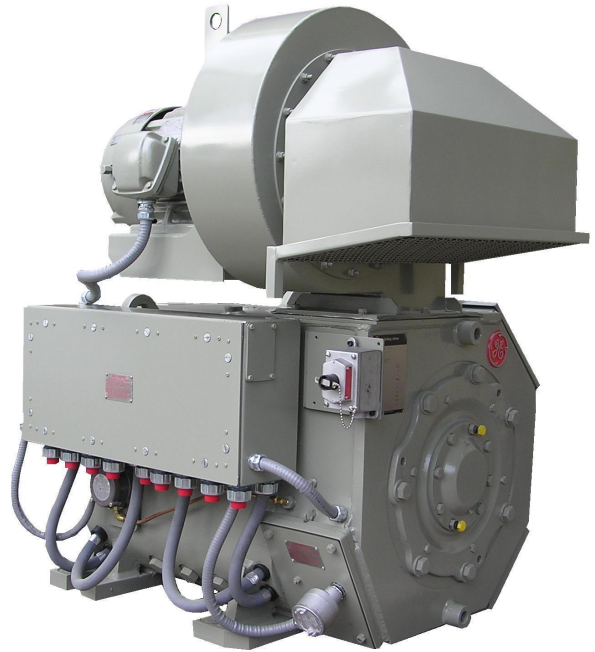


# 752™

## High-Torque DC drilling motor



### Performance ratings

The 752 High-Torque DC drilling motor with 2800 SCFM airflow and temperature rise of 155°C at 40°C ambient.

	Continuous Max. Hp	Drawworks Duty Cycle
<b>Shunt Wound</b>		
Volts (dc)	750	750
Arm amps	1185	1435
Field amps	60	60
RPM	1040	1065
Torque (lb ft)	5705	6745
<b>Hp</b>	<b>1130</b>	<b>1365</b>
<b>Series Wound</b>		
Volts (dc)	750	750
Arm amps	1150	1400
RPM	965	920
Torque (lb ft)	5900	7530
<b>Hp</b>	<b>1085</b>	<b>1320</b>

### Standard features

- Class H insulation
- Single shaft extension with hub
- Pressurized connection box with double bolt-on cable connections and terminations for motor auxiliaries
- Space heater.
- Auxiliary lockout switch
- Pressure sensor.
- Blower assembly with 10 Hp motor

#### Marine models also include:

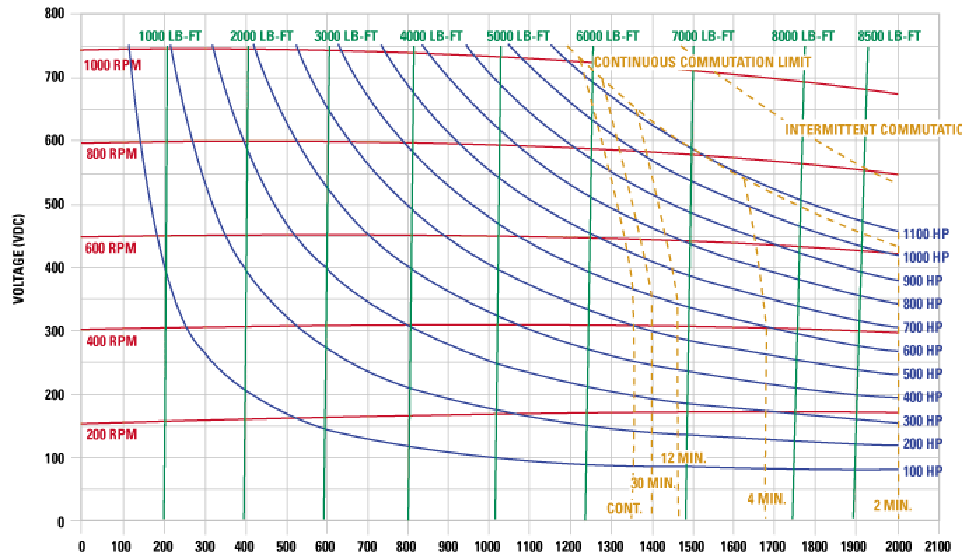
- Two 100 Ohm platinum RTDs
- ABS certified shaft.
- Armored cable.

### Optional features:

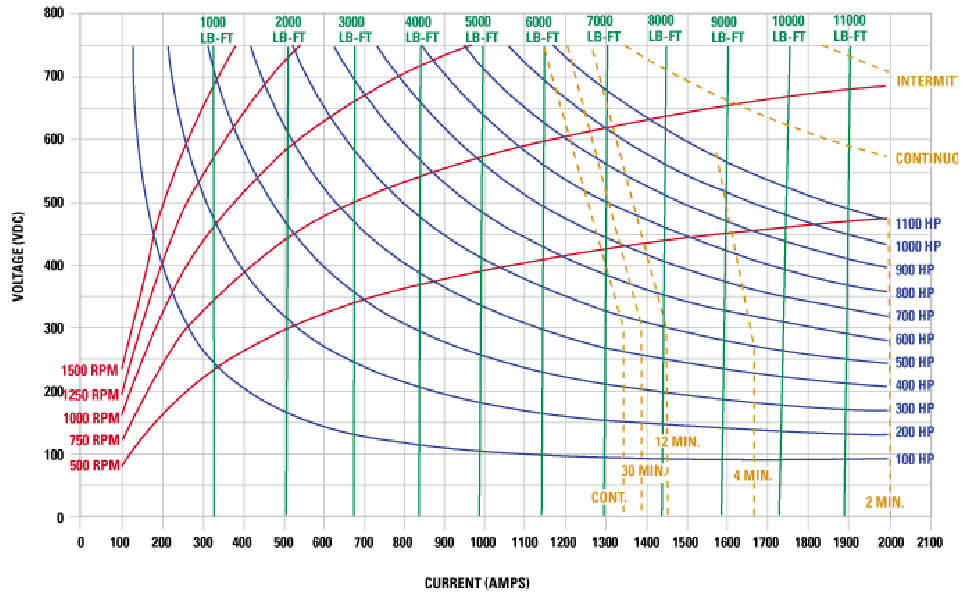
- Plug-in connectors
- Encoder
- ABS certification
- Closed loop cooling
- 15 Hp blower assembly
- SS connection box
- Spark arrester
- Noise attenuation
- Intake air filter



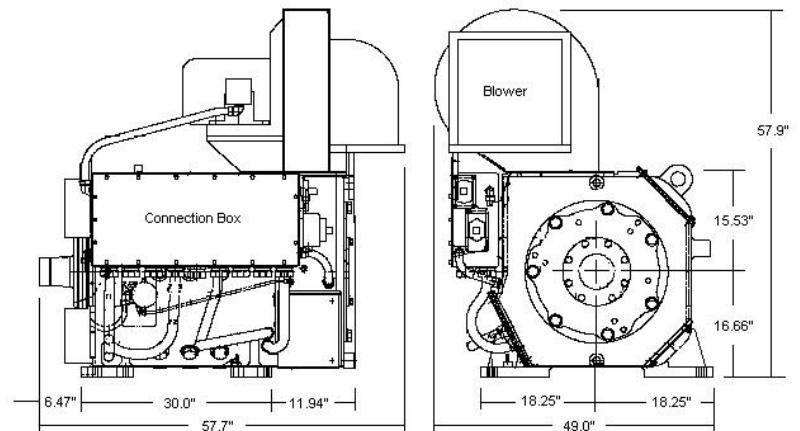
GE752 shunt wound drilling motor  
60 amp field at 2800 scfm ventilation



GE752 series wound drilling motor  
at 2800 scfm ventilation



Approximate Weight: 7200 lbs.



Dimensions are approximate. Not for construction.



imagination at work