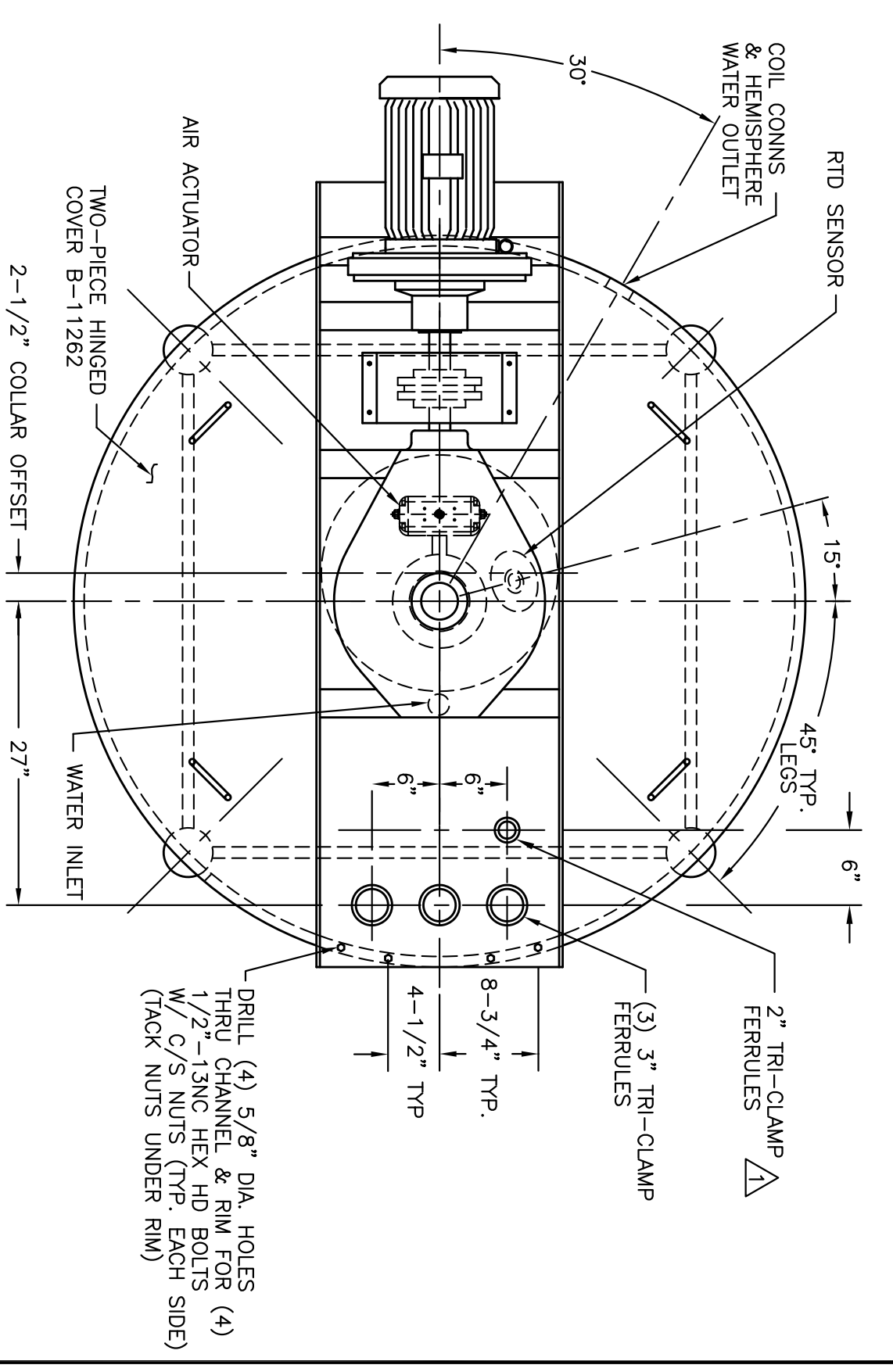


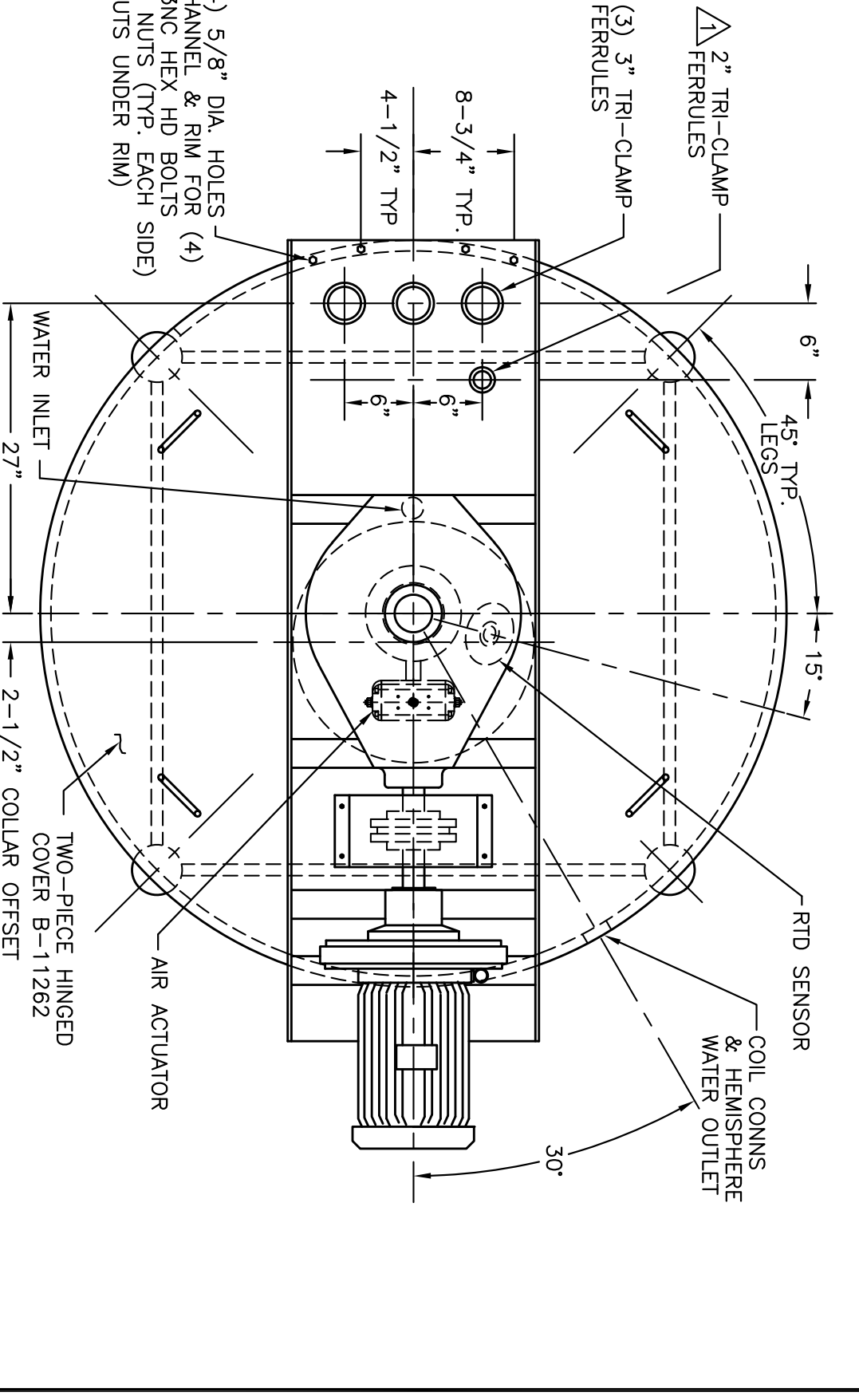
ELEVATION ONLY

- NOTES:**
1. ALL MATERIAL S.S. UNLESS OTHERWISE NOTED.
 2. AGITATOR ASSEMBLY: B-11261.
 3. PAINT JKT W/ THERMALOX 70 PAINT.

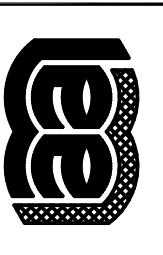
FT-1, FT-2, FT-3



**TRUE ORIENTATION
C-4192-A2, FT-2**



**TRUE ORIENTATION
C-4192-A1, A3 FT-1, FT-3**



PROCESS SYSTEMS & EQUIPMENT
DIVISION OF LEE INDUSTRIES, INC.
PHILIPSBURG, PA.

600 GALLON STYLE "D9MS" KETTLE

REV.	DESCRIPTION	DATE	APPROVED BY:	REV.
1	DELETED SEAL WELD FROM JACKET CONNECTIONS.	12-18-96	MJR	
2	ADDED 2" TRI-CLAMP FERRULE.	10-30-96	JEB	

SCALE: NONE	DATE: 10-07-96
DRAWN BY: BORDACK	DRAWING NO. C-6175
APPROVED BY: JEB	REV. 2