

Air Vent Square (AVS) Filter

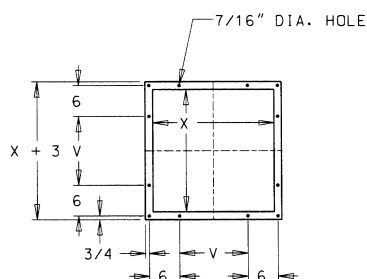


The MAC Air-Vent Square (AVS) is a pulse jet filter. Electronically timed compressed air is released into a row of filter bags during operation. These pulses dislodge the captured dust and allow the filter to clean itself without shutting down the operation. MAC offers this filter in two styles: with and without a hopper.

With a 60° hopper (Style III) the filter receives dust through a hopper entry inlet and discharges the collected dust through an airlock for dust disposal or recycling.

Without the hopper (Style II) the filter is ideally suited as a bin vent filter for storage tanks, work bins and surge hoppers.

Related Products
Bags
page 3-39



Standard Specifications

- 12 gauge carbon or 304 stainless steel construction*
- Rated to 17" w.c. static pressure
- Full welded exterior
- Skip welded interior 96" bags and larger
- 36 bag units, and larger, have reinforced housing and tubesheet
- Broke lip flange on top plenum and housing
- Timing board enclosures: NEMA 12
- Venturi nozzle and bag cups: Mineral reinforced nylon
- Bag cages: Galvanized carbon steel
- Bags: 16 oz. singed dacron polyester
- Lifting lugs: Two on top plenum
- Service door:
 - Units with 18" long bags have an 18" x 15" tall bolted inspection panel
 - Units with bags longer than 18" have an 18" wide hinged (to left side) inspection door
- Pressure differential gauge kit
- 60° hopper flanged to housing (Style III only)
- MAC white paint

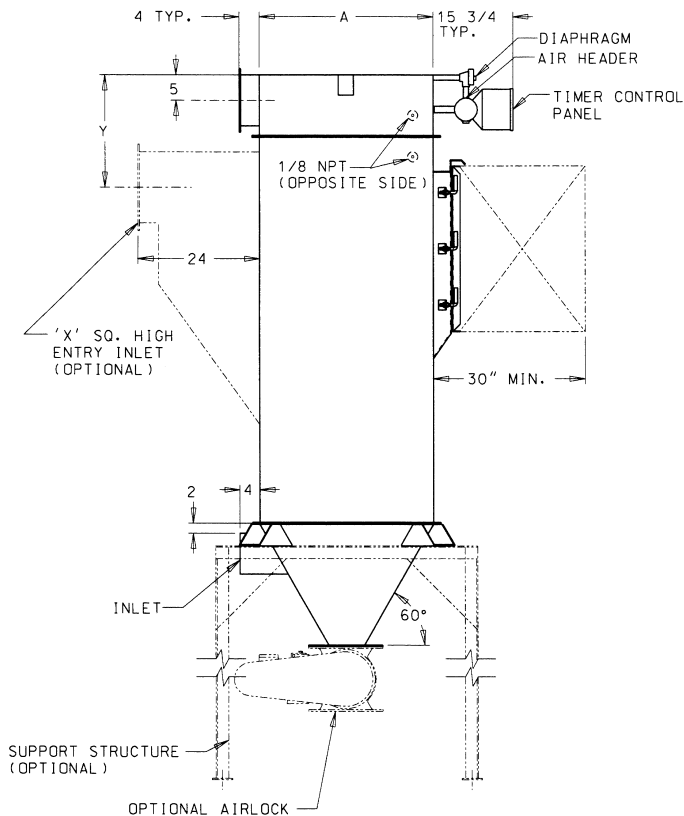
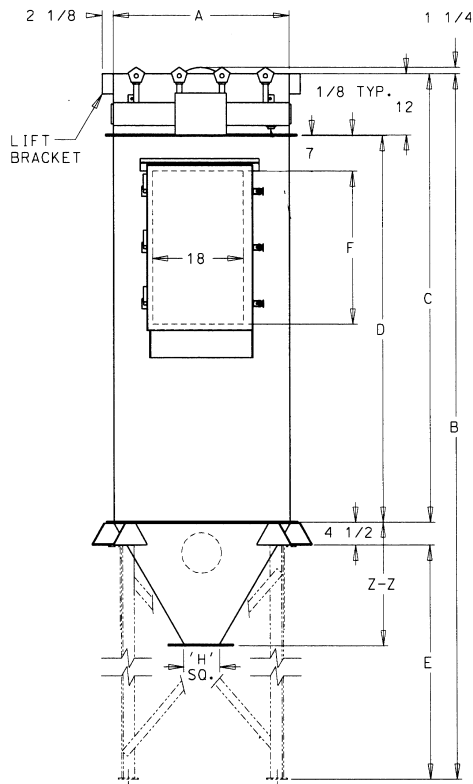
*stainless steel includes housing, hopper and tubesheet with all carbon steel flanges and reinforced ribs

Options

- 316 stainless steel
- 10 gauge carbon steel construction rated to 20" w.c. static pressure
- 304 stainless steel flanges for 304 stainless steel filters
- High entry inlet with bag protectors
- 70° hopper slope
- Aluminum Venturi
- NEMA 4, 7 or 9 timer enclosure
- Exhaust weather hood with birdscreen 4 x 4 mesh (Style II only)
- Carbon steel service platform with ladder and safety cage
- T-handle food grade door
- Pneumatic noise reducers in solenoids
- Flanged air inlet
- Mount pads
- Side mounted or top mounted fans (restrictions exist - please contact your MAC Sales Representative)

HOPPER HEIGHT (Z-Z)

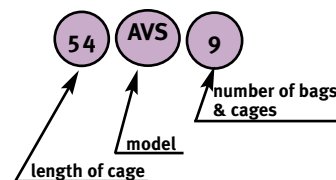
MODEL	DISCHARGE 'H'						
	MD20 8	MD20 9	MD40 10 STD.	MD40 12	MD75 14	MD75 15	MD139 16
AVS9	15 ⁷ / ₈	15	14 ¹ / ₈	12 ³ / ₈			
AVS16	23 ³ / ₁₆	22 ³ / ₈	21 ¹ / ₂	19 ³ / ₄	18	17 ¹³ / ₁₆	16 ¹ / ₄
AVS25	30 ⁹ / ₁₆	29 ³ / ₄	28 ⁷ / ₈	27 ¹ / ₈	25 ³ / ₈	24 ¹ / ₂	23 ³ / ₄
AVS36	38	37 ¹ / ₈	36 ¹ / ₄	34 ¹ / ₂	32 ³ / ₄	31 ⁷ / ₈	31
AVS49	45 ¹ / ₄	44 ¹ / ₂	43 ¹ / ₂	41 ⁷ / ₈	40	39 ³ / ₄	38 ³ / ₈
AVS64	52 ⁵ / ₈	51 ¹ / ₄	50 ⁷ / ₈	49 ³ / ₁₆	47 ⁷ / ₁₆	46 ⁹ / ₁₆	45 ³ / ₄



MODEL	CLOTH AREA	NO. OF BAGS	Dimensions (IN.)								MAX. A/L	SCFM	WEIGHT LBS.	
			A	B	C	D	E	F	G	X				Y
18AVS9	22	9	26	82%	40%	28	38	20	10 DIA.	14	22 1/2	MD 40	3.6	370
36AVS9	44	9	26	94%	52%	40	38	22	10 DIA.	14	22 1/2	MD 40	3.6	500
54AVS9	67	9	26	112%	70%	58	38	30	10 DIA.	14	22 1/2	MD 40	3.6	590
72AVS9	89	9	26	130%	88%	76	38	38	10 DIA.	14	22 1/2	MD 40	3.6	680
18AVS16	39	16	34 1/2	90%	40%	28	46	20	10 DIA.	14	22 1/2	MD 40	5.0	540
36AVS16	78	16	34 1/2	102%	52%	40	46	22	10 DIA.	14	22 1/2	MD 40	5.0	700
54AVS16	119	16	34 1/2	120%	70%	58	46	30	10 DIA.	14	22 1/2	MD 40	5.0	820
72AVS16	159	16	34 1/2	138%	88%	76	46	38	10 DIA.	14	22 1/2	MD 40	5.0	950
96AVS16	209	16	34 1/2	162%	112%	100	46	48	10 DIA.	14	22 1/2	MD 40	5.0	1110
18AVS25	62	25	43	98%	40%	28	54	20	10 X 20	18	24 1/2	MD 40	5.8	730
36AVS25	124	25	43	110%	52%	40	54	22	10 X 20	18	24 1/2	MD 40	5.8	930
54AVS25	186	25	43	128%	70%	58	54	30	10 X 20	18	24 1/2	MD 40	5.8	1090
72AVS25	245	25	43	146%	88%	76	54	38	10 X 20	18	24 1/2	MD 40	5.8	1190
96AVS25	332	25	43	170%	112%	100	54	48	10 X 20	18	24 1/2	MD 40	5.8	1390
36AVS36	179	36	51 1/2	118%	52%	40	62	22	10 X 20	18	24 1/2	MD 40	7.3	1210
54AVS36	269	36	51 1/2	136%	70%	58	62	30	10 X 20	18	24 1/2	MD 40	7.3	1440
72AVS36	358	36	51 1/2	154%	88%	76	62	38	10 X 20	18	24 1/2	MD 40	7.3	1660
96AVS36	478	36	51 1/2	178%	112%	100	62	48	10 X 20	18	24 1/2	MD 40	7.3	1810
36AVS49	244	49	60	126%	52%	40	70	22	10 X 36	24	27 1/2	MD 75	8.5	1450
54AVS49	366	49	60	144%	70%	58	70	30	10 X 36	24	27 1/2	MD 75	8.5	1820
72AVS49	487	49	60	162%	88%	76	70	38	10 X 36	24	27 1/2	MD 75	8.5	1990
96AVS49	651	49	60	186%	112%	100	70	48	10 X 36	24	27 1/2	MD 75	8.5	2280
36AVS64	318	64	68 1/2	134%	52%	40	78	22	10 X 36	24	27 1/2	MD 139	10.9	1820
54AVS64	478	64	68 1/2	152%	70%	58	78	30	10 X 36	24	27 1/2	MD 139	10.9	2180
72AVS64	636	64	68 1/2	170%	88%	76	78	38	10 X 36	24	27 1/2	MD 139	10.9	2510
96AVS64	850	64	68 1/2	194%	112%	100	78	48	10 X 36	24	27 1/2	MD 139	10.9	2950



see section 1
page 1-8 for
Standard Product
offering



Each AVS filter comes with an informational model number to better identify it.