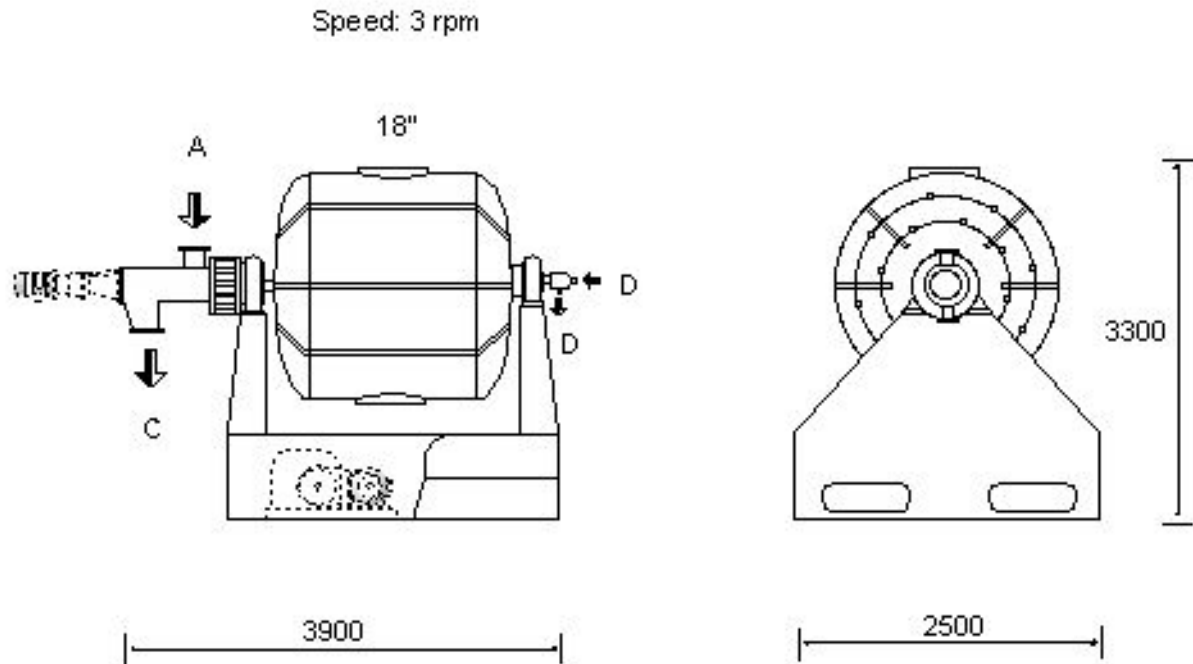


# COPRINOX

# DRYER

Code n° DRJ 060 0180

Location ref: 08 C3

CAPACITY LITERS **6000**

SHELL SIDE

JACKET/COIL SIDE

Design Pressure KG/cm<sup>2</sup>  
Design Temperature °C  
Material

AISI 304

Carbon Steel

DRYER TYPE: ROTATING DRUM UNDER VACUUM DRYER

ANCC or ISPESEL certification: **NOT**  
Drive HP: \_\_\_\_\_ rpm: \_\_\_\_\_

## NOZZLE DIMENSIONS

Pos	Service	Size inch.
A	Product inlet	4"
B		
C	Product outlet	4"
D	Heating medium in-out	2"
E		

MANUFACTURER : MABO

 USED  
 USED RECONDITIONED  
 UNUSED**NOTE** WHITOUT Motors and reducersWEIGHT (approx) Kg **6000**