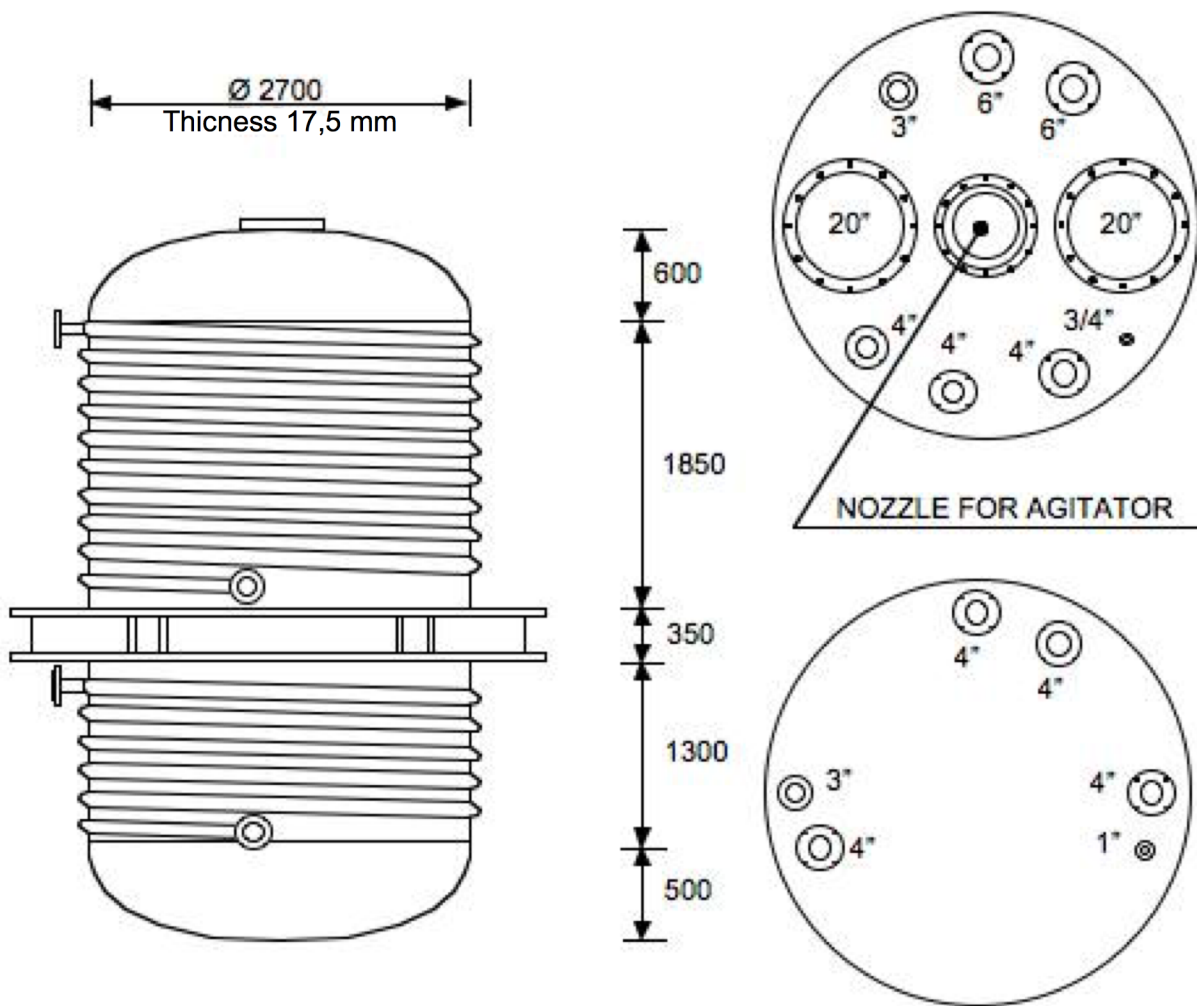


COPRINOX

AGITATED VESSEL

Code n° **RAS 200 0554**

Location ref: 88 A3

CAPACITY LITERS **20.000**

SHELL SIDE

JACKET/COIL SIDE

Design Pressure KG/cm2
Design Temperature °C
Material

AISI 304

AISI 304

ANCC or ISPESL certification: **NOT**
Availability in stock n° **01** units

NOZZLE DIMENSIONS

Pos	Service	Size inch.
A		
B		
C		
D		
E		

MANUFACTURER: _____

- USED
 USED RECONDITIONED
 UNUSED

NOTE _____

WEIGHT (approx) Kg **14500.**