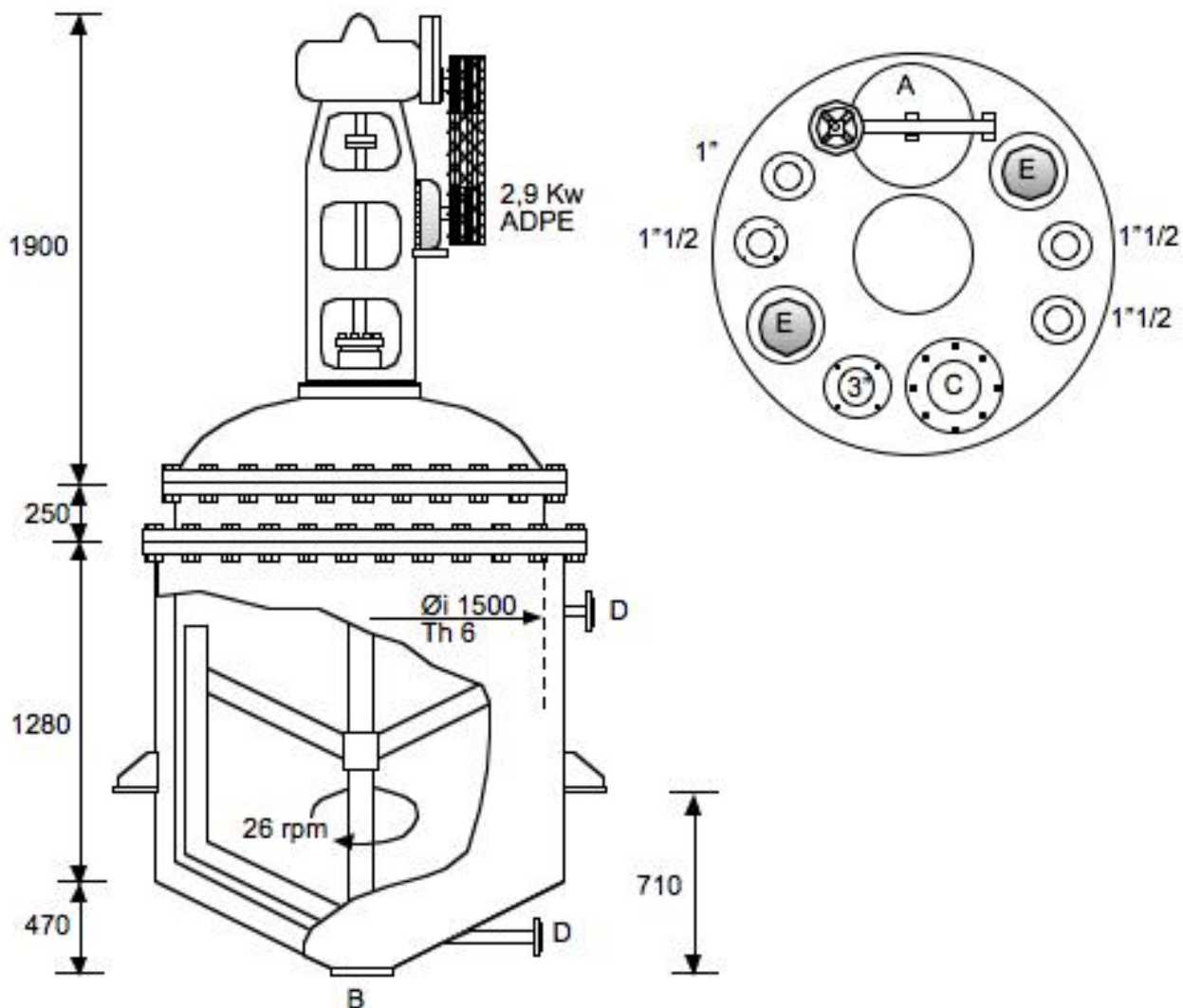


COPRINOX

AGITATED VESSEL

Code n° **RAJ 030 0500**

Location ref: 91 C1



CAPACITY LITERS <u>3.000</u>	SHELL SIDE	JACKET/COIL SIDE
Design Pressure KG/cm2	150	
Design Temperature °C	AISI 316	Carbon Steel
Material		
ANCC or ISPESL certification: <u>NOT</u>	NOZZLE DIMENSIONS	
Availability in stock n° <u>01</u> units	Pos	Service
MANUFACTURER: <u>F.B.M.</u>	A	Man hole
<input checked="" type="checkbox"/> USED	B	Product outlet
<input type="checkbox"/> USED RECONDITIONED	C	Vapours outlet
<input type="checkbox"/> UNUSED	D	Heating medium in-out
WEIGHT (approx) Kg <u>2800</u>	E	Sight glass
	NOTE	