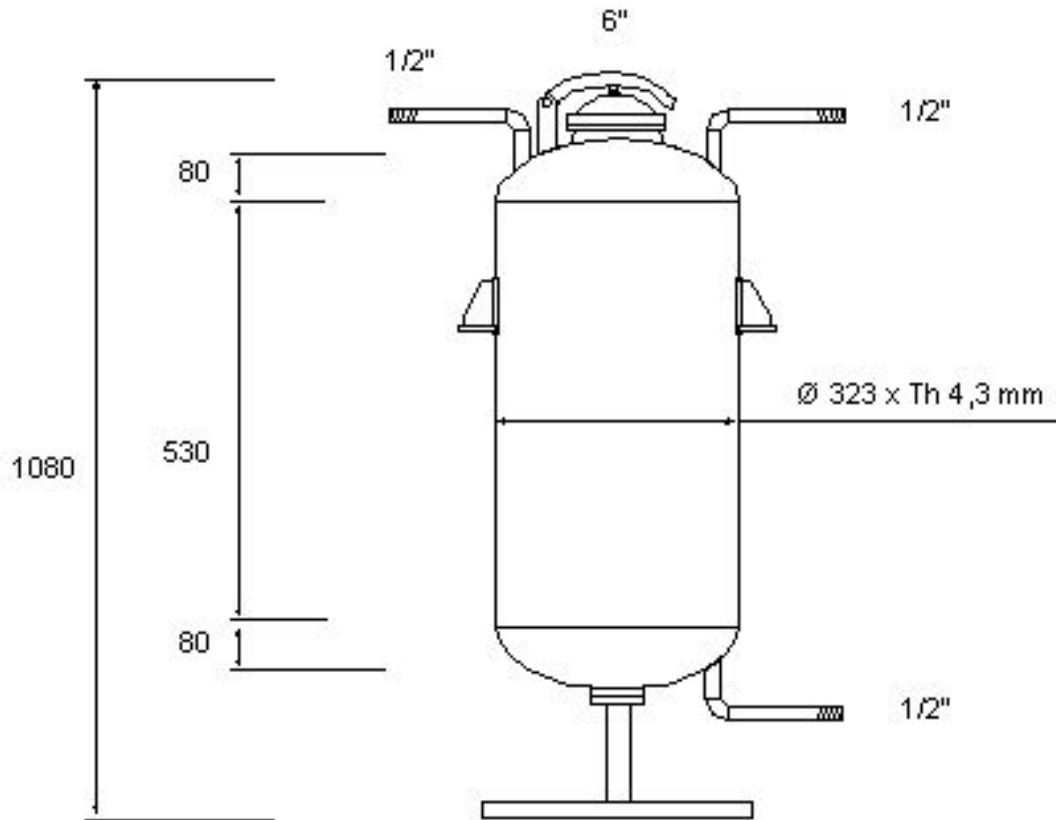


COPRINOX

VESSEL

Code n° **VV 001 0818**

Location ref: 93 C1



CAPACITY LITERS <u> 60 </u>	SHELL SIDE	JACKET/COIL SIDE	
Design Pressure KG/cm ² Design Temperature °C Material	<u> 6 </u>		
ANCC or ISPESL certification: <u> NOT </u> Availability in stock n° <u> 01 </u> units	<u> AISI 304 </u>		
MANUFACTURER _____	NOZZLE DIMENSIONS		
<input checked="" type="checkbox"/> USED <input type="checkbox"/> USED RECONDITIONED <input type="checkbox"/> UNUSED	Pos	Service	Size inch.
	A		
	B		
	C		
	D		
	E		
WEIGHT (approx) Kg <u> 40 </u>	NOTE _____ _____		