

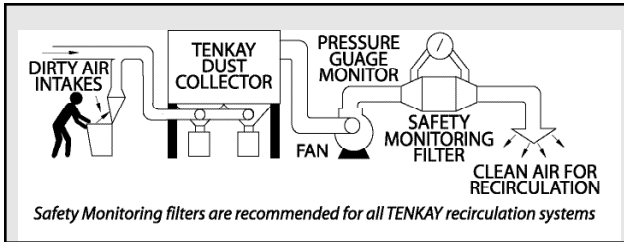
# C & D MODEL TENKAY®

## High Efficiency Mark IV Aspirated Dust Collectors

### Economical Solution For Dust Collection



The Farr Tenkay Aspirated Cartridge Model C & D Dust Collectors offer the highest efficiency and best energy characteristics available in a compact unit. The Model C & D Tenkay is the perfect answer where air pollution control, worker comfort or product recovery are of major concern.



#### PROVEN TECHNOLOGY

With over 15 years of use and constant improvement, these 99.999% efficient filters (by independent gravimetric test) provide the efficiency required, together with energy and operating economies, that make them the overall best choice for almost every application. The patented Tenkay Cam-Bar locking system (pictured right) allows filter cartridge change-out in minutes. Service personnel never enter the Collector which might expose them to potentially hazardous materials or dangerous situations.



#### UNIQUE LOW VELOCITY INLET PLENUM

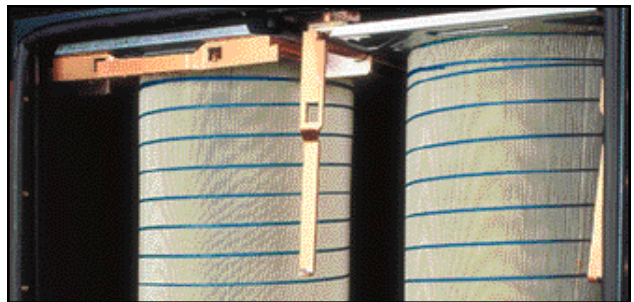
Unlike many other downflow collector designs that guide dirty air directly onto one side of the filter cartridges, Tenkay C & D Collectors employ a unique baffled plenum which causes a sudden decrease in air flow velocity and direction before the dirty air enters the Tenkay filter cartridge. This causes a large percentage of the particulates to fall out of the airstream and into the hopper, extending the life of the filter cartridge and reducing pressure drop. Farr Tenkay Dust Collectors take full advantage of these principles of physics to provide an outstanding unit delivering superior performance and lower operating costs.

#### ENERGY SAVINGS AND ECONOMY

Processed air may be recirculated into your facility for additional energy savings of heating and cooling make-up air. By recirculating the exhaust air, HVAC make-up air cost are reduced. Due to the cartridge's higher media area and reduced operating pressure drop, lower fan horsepower is required...delivering additional energy savings.

#### HIGH VELOCITY BACK-FLUSHING

The cleaning process is accomplished with a short burst of compressed air directed into an eductor tube above each filter cartridge. This high velocity air induces a much larger reverse airflow which is forced through the cartridge. The back-flushing is sustained long enough to blow the dust cake away from the outside of the filter cartridge.

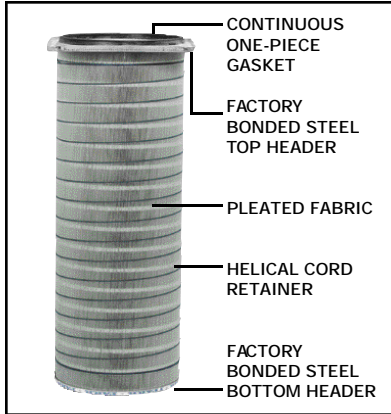


Farr APC	Product Sheet
C & D Model Tenkay® - B-1000-7G	
SAFE AIR FOR A SAFE WORK ENVIRONMENT	

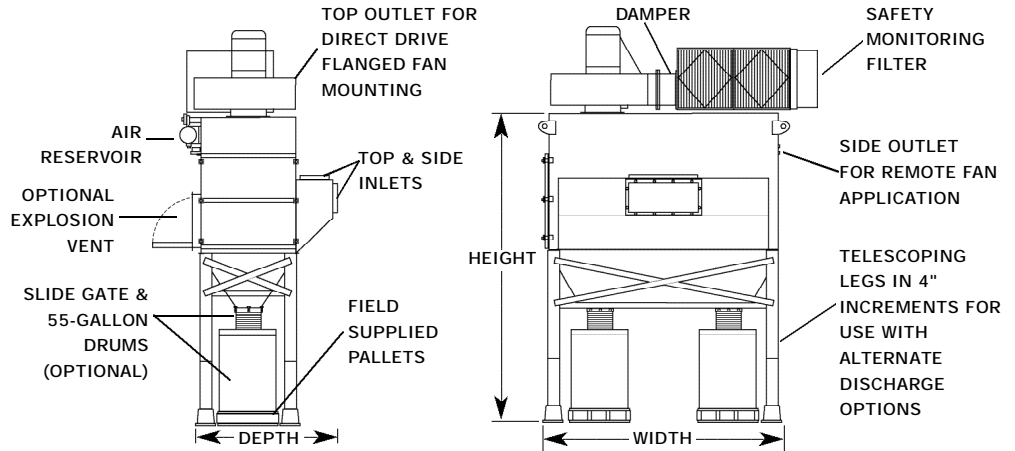
## TYPICAL APPLICATIONS

- Sanding & grinding dust
- Foundry sand/metal pouring
- Welding fumes
- Plasma/laser cutter fumes
- Abrasive blasting
- Mixing & blending dust
- Talc, cornstarch dust
- Lead & other toxic dust
- Mineral, silica dust
- Pharmaceutical dust
- Carbon black/toner dust
- Plastic & composite dust
- Pneumatic conveyed dust
- Ambient filtration
- Food additive/spices

## Specifications



The TENKAY filter element is 12 1/4" in diameter, 34 1/2" in height, weighs 13 1/2 lbs and has 282 sq ft of filtering surface. (Diameter = 324 mm, height = 876 mm, weight = 6.1 kg, filtering surface = 27.9 m<sup>2</sup>.)



TENKAY MODEL	NO. OF FILTER CARTRIDGES	NOMINAL FILTER AREA (ft <sup>2</sup> )	DIMENSION (inches)			APPROX. WEIGHT (lbs.)**	NO. OF DRUMS	FAN HEIGHT (inches)
			HEIGHT RANGE WITHOUT FAN	DEPTH	WIDTH			
2C	2	564	104 or 124	35.25	33.75	810	1	21.44
3C	3	846	104 or 124	35.25	49.75	980	1	26.06
4D	4	1128	124 – 148*	53.25	33.75	1110	1	27.50
5C	5	1410	104 or 124	35.25	81.75	1340	2	30.38
6D	6	1692	124 – 148*	53.25	49.75	1280	1	30.25
8D	8	2256	124 – 148*	53.25	65.75	1540	2	34.75
10D	10	2820	124 – 148*	53.25	81.75	1730	2	36.38
12D	12	3384	136 – 160*	53.25	97.75	2070	2	36.94
16D	16	4512	136 – 160*	53.25	129.75	2490	2	40.06
20D†	20	5640	136 – 160*	89.58	81.75	2410	2	N/A
24D†	24	6768	136 – 160*	89.58	97.75	2670	2	N/A
32D†	32	9024	136 – 160*	89.58	129.75	3190	2	N/A
40D†	40	11280	142.25 – 166.25*	92.75	129.75	4000	2	N/A
48D†	48	13536	142.25 – 166.25*	110.88	129.75	4785	2	N/A

**DIMENSION NOTES:**

\* Adjustable in 4" increments. For low height installations 2C & 3C models have 5-gallon pails and pull-out dust drawer option.

\*\* Weights shown are without fan, cartridges or safety monitoring filter.

† Remote mounted fan. Depth exclusion of explosion vent. Air reservoir extends approx. 9".



**FARR APC**  
Air Pollution Control

SAFE AIR FOR A SAFE WORK ENVIRONMENT

3501 Airport Rd. • Jonesboro, AR 72401 • 870-933-8048, Ext. 7118 • Fax: 870-933-8380  
www.farrapc.com • e-mail: filterman@farrapc.com • 800-479-6801



MKB 09/02  
© 2002 Farr Air Pollution Control Inc.