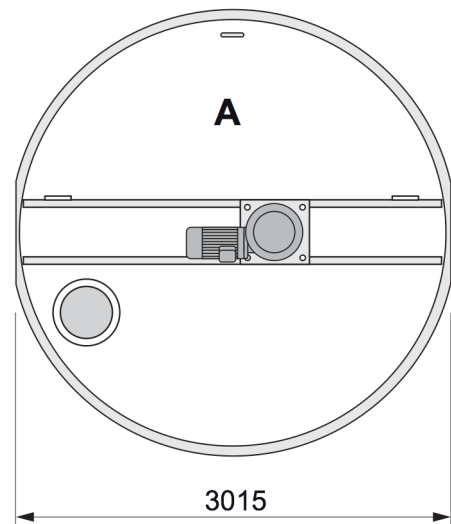
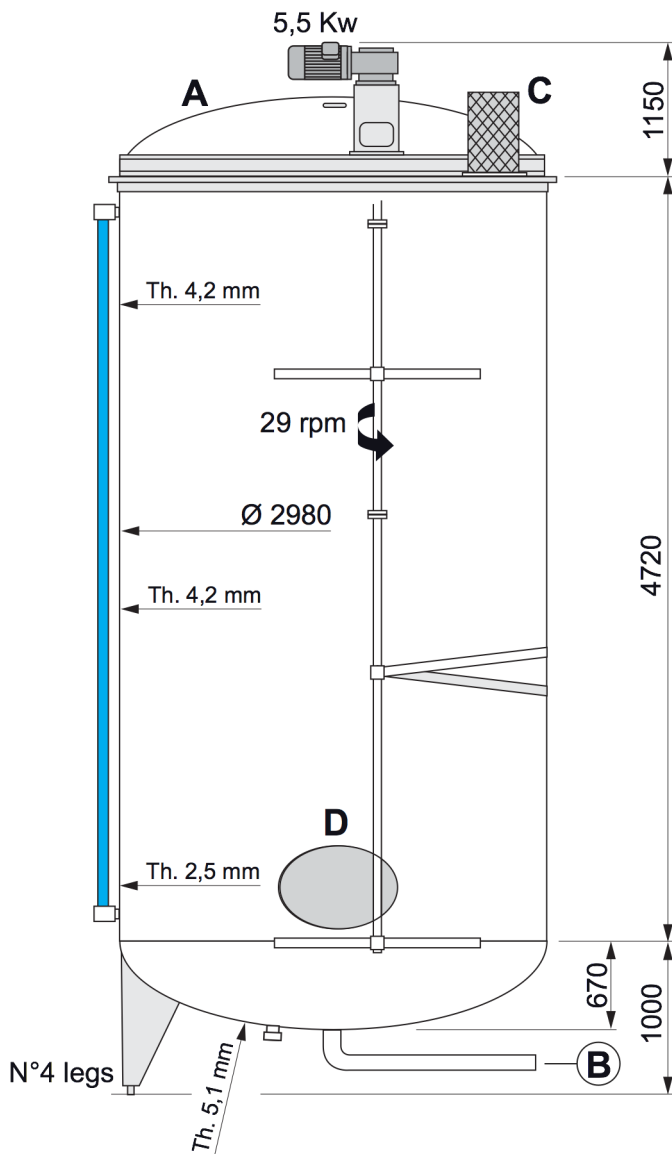


COPRINOX

VESSEL

Code n° **VV 400 1578**

Location ref: 19 B4

CAPACITY LITERS **36.000**

SHELL SIDE

JACKET/COIL SIDE

Design Pressure KG/cm²
Design Temperature °C
Material

Atm

--

AISI 304

ANCC or ISPESL certification: N.A.
Availability in stock n° 1 units

NOZZLE DIMENSIONS

Pos	Service	Size
A	Hinged top cover	
B	Product outlet	DN100
C	Filter	Ø280
D	Side manhole	
E		

MANUFACTURER _____

- USED
 USED RECONDITIONED
 UNUSED

NOTE Manhole cover missedWEIGHT (approx) Kg **3200**