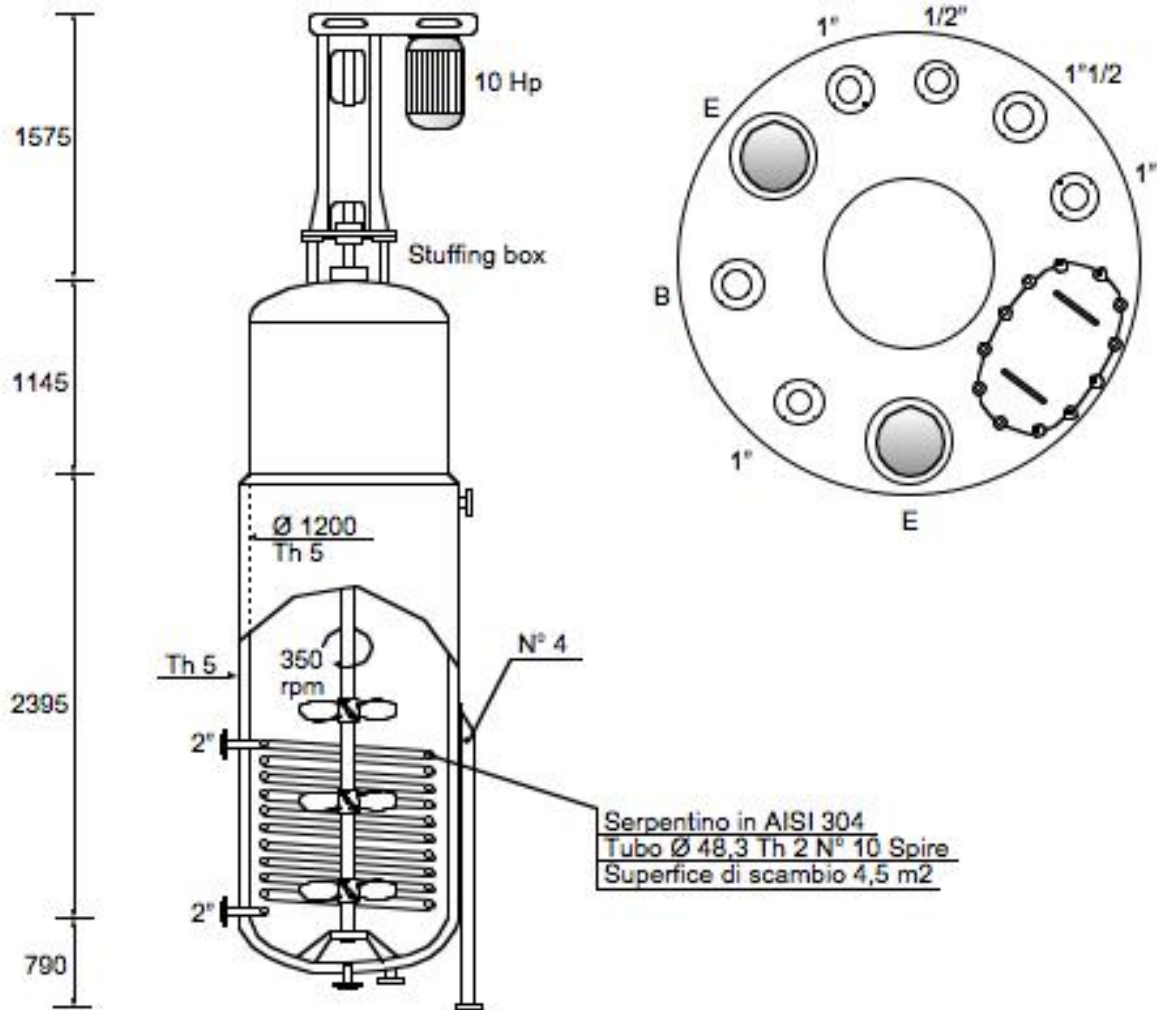


COPRINOX

AGITATED VESSEL

Code n° RAJC 036 0981

Location ref: 97 C1

CAPACITY LITERS **3.600**

SHELL SIDE

JACKET/COIL SIDE

Design Pressure KG/cm²
Design Temperature °C
Material

3,5

Atm.

AISI 304

Carbon Steel

ANCC or ISPESL certification: **MI 2072 77**Availability in stock n° **01** unitsMANUFACTURER: **F.B.M.** USED
 USED RECONDITIONED
 UNUSED

NOZZLE DIMENSIONS

Pos	Service	Size inch.
A	Man hole	300 x 450
B	Product inlet	1"1/2
C	Product outlet	2"
D	Heating medium in-out	2"
E	Sight glass	4"

NOTE

WEIGHT (approx) Kg _____