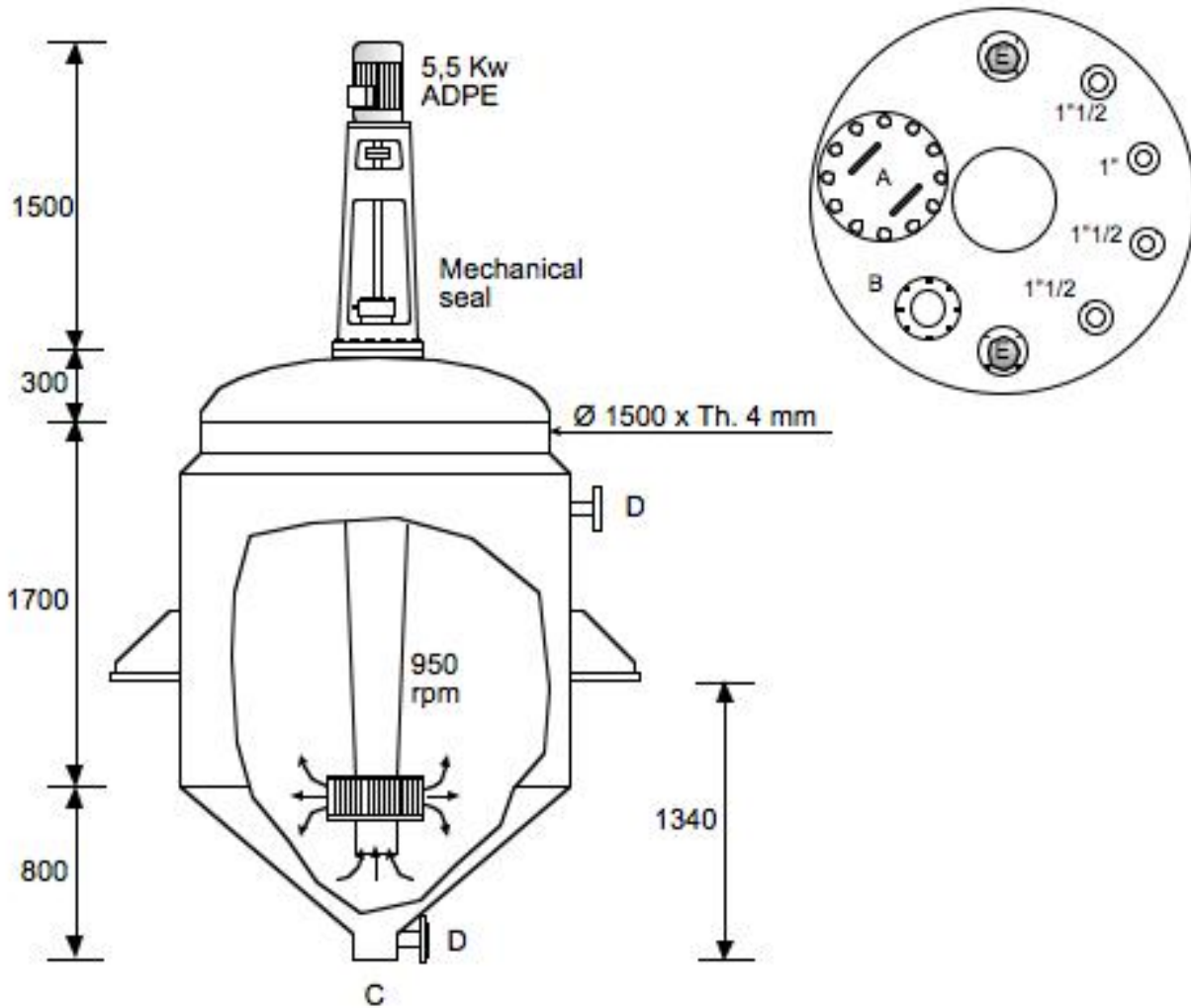


# COPRINOX

## AGITATED VESSEL

Code n° **RAJ 038 0035**

Location ref: 87 C1



<b>CAPACITY LITERS</b> <u>3.800</u>	<b>SHELL SIDE</b>	<b>JACKET/COIL SIDE</b>
Design Pressure KG/cm2 Design Temperature °C Material	AISI 304	Carbon Steel
ANCC or ISPESL certification: <u>NOT</u> Availability in stock n° <u>01</u> units	<b>NOZZLE DIMENSIONS</b>	
<b>MANUFACTURER:</b> _____	<b>Pos</b>	<b>Service</b>
<input checked="" type="checkbox"/> USED <input type="checkbox"/> USED RECONDITIONED <input type="checkbox"/> UNUSED	<b>A</b>	Man hole
<b>WEIGHT (approx) Kg</b> <u>2200</u>	<b>B</b>	Vapours outlet
	<b>C</b>	Bottom discharge
	<b>D</b>	Heating medium in-out
	<b>E</b>	Sight glass
	<b>Size inch.</b>	16"
		5"
		1"1/2
		1"
		4"
	<b>NOTE</b>	_____
		_____
		_____