



# CT046 3-HP DUST CYCLONE SYSTEM User Manual



# CONTENTS

IMPORTANT SAFETY RULES FOR DUST COLLECTOR-----	2
GROUNDING INSTRUCTIONS-----	3
IMPORTANT SAFETY RULES-----	4
SPECIFICATION-----	5
UNPACKING AND CHECKING CONTENTS-----	6
ASSEMBLY INSTRUCTION-----	7~9
EXPLODED DIAGRAM-----	10
PART LIST-----	11~12

- **WARNING!**

Please read this manual carefully before assembly, testing and operating.

- **WARNING!**

Do not operate this unit until the PVC hose is installed onto the dust inlet port.

# IMPORTANT SAFETY RULES FOR DUST COLLECTORS

**WARNING :** Basic precautions should always be followed when using your dust collector. To reduce the risk of injury, electrical shock or fire, comply with the safety rules listed below :

1. **READ** and understand the instruction manual before operating the dust collector.
2. **DO NOT** leave the dust collector plugged into the electrical outlet. Unplug dust collector from the outlet when not in use and before servicing, changing bags, unclogging and cleaning.
3. **ALWAYS** turn the power switch " OFF " before unplugging the dust collector.
4. **WARNING: TO REDUCT THE RISK OF ELECTRICAL SHOCK** do not use outdoors or on wet surfaces. Use for dry pickup only!
5. **FOLLOW** all electrical and safety codes, including the national Electric Code (NEC) and the Occupational Safety and Health Regulations (OSHA). All electrical connections and wiring should be made by qualified personnel only.
6. **DO NOT** use the dust collector to pick up flammable or combustible liquids, such as gasoline. **NEVER** use the dust collector near any flammable or combustible liquids.
7. **USE** the dust collector to pick up wood materials only. **DO NOT** use the dust collector to pick up metal shavings, dust, water, or parts.
8. **NEVER** use the dust collector to dissipate fumes or smoke. **NEVER** pick up anything that is burning or smoking, such as cigarettes, matches or hot ashes.
9. **USE** only as described in this manual.
10. **DO NOT** pull the dust collector by the power cord. **NEVER** allow the power cord to come in contact with sharp edges, hot surfaces, oil or grease.
11. **DO NOT** unplug the dust collector by pulling on the power cord. **ALWAYS** grasp the plug, not the cord.
12. **DO NOT** handle the plug or dust collector with wet hands.
13. **REPLACE** a damaged cord immediately. **DO NOT** use a damaged cord or plug. If the dust collector is not operating properly, or has been damaged, left outdoors or has been in contact with water, return it to an Authorized Service Center for service.
14. **DO NOT** use the dust collector as a toy. **DO NOT** use near or around children.
15. **DO NOT** insert fingers or foreign objects into the dust intake ports. Keep hair, loose clothing, fingers, and all body parts away from openings and moving parts of the dust collector.
16. **DO NOT** use the dust collector without the filter bag and dust collection bag in place and properly secured.
17. **DO NOT** operate the dust collector with unused dust intake ports uncapped. **ALWAYS** cover exposed dust intake ports.
18. **PERIODICALLY INSPECT** dust and filter bags for any cuts, rips or tears. **NEVER** operate the dust collector with a damaged bag or vacuum hose.
19. The dust collector is designed for home use or light commercial duty **ONLY!**
20. **CONNECT** dust collector to a properly grounded outlet only. See grounding instruction.

---

## SAVE THESE INSTRUCTIONS

# **GROUNDING INSTRUCTIONS**

The appliance must be grounded, if it should malfunction or breakdown, grounding provides a path of least resistance for electric current to reduce the risk of electric shock. This appliance is equipped with a cord having equipment –ground conductor and grounding plug. The plug must be inserted into an appropriate outlet that is properly installed and grounded in accordance with all local codes and ordinances.

**WARNING**-Improper connection of the equipment-grounding conductor can result in a risk of electric shock. Check with a qualified electrician or service person if you are in doubt as to whether the outlet is properly grounded. Do not modify the plug provided with the appliance – if it will not fit the outlet; have a proper outlet installed by a qualified electrician

## **For grounded, cord-connected appliances:**

This appliance is for use on a circuit having a nominal rating more than 120 volt and is factory-equipped with a specific electric cord and plug to permit connection to a proper electric circuit. Make sure that the appliance is connected to an outlet having the same configuration as the plug. No adaptor should be used with this appliance. If the appliance must be reconnected for use on a different type of electric circuit, the reconnection should be made by qualified service personnel.

## **For a permanently connected appliance:**

This appliance must be connected to a grounded metal, permanent wiring system; or an equipment-grounding conductor must be run with the circuit conductors and connected to the equipment grounding terminal or lead on the appliance.

# IMPORTANT SAFETY RULES

Woodworking can be dangerous if safe and proper operating procedures are not followed. As with all machinery, there are certain hazards involved with the operation of the product. Using the machine with respect and caution will considerably lessen the possibility of personal injury. However, if normal safety precautions are overlooked or ignored, personal injury to the operator may result.

Safety equipment such as guards, push sticks, hold-downs, featherboards, goggles, dust masks and hearing protection can reduce your potential for injury. But even the best guard won't make up for poor judgment, carelessness or inattention. Always use common sense and exercise caution in the workshop. If a procedure feels dangerous, don't try it. Figure out an alternative procedure that feels safer. REMEMBER: Your personal safety is your responsibility.

## WARNING: FAILURE TO FOLLOW THESE RULES MAY RESULT IN SERIOUS PERSONAL INJURY

1. FOR YOUR OWN SAFETY, READ INSTRUCTION MANUAL BEFORE OPERATING THE TOOL. Learn the tool's application and limitations as well as the specific hazards peculiar to it.

2. KEEP GUARDS IN PLACE and in working order.

3. ALWAYS WEAR EYE PROTECTION.

4. GROUND ALL TOOLS. If tool is equipped with three-prong plug, it should be plugged into a three-hole electrical receptacle. If an adapter is used to accommodate a two-prong receptacle, the adapter lug must be attached to a known ground. Never remove the third prong.

5. REMOVE ADJUSTING KEYS AND WRENCHES. Form habit of checking to see that keys and adjusting wrenches are removed from tool before turning it "on".

6. KEEP WORK AREA CLEAN. Cluttered areas and benches invite accidents.

7. DON'T USE IN DANGEROUS ENVIRONMENT. Don't use power tools in damp or wet locations, or expose them to rain. Keep work area well-lighted.

8. KEEP CHILDREN AND VISITORS AWAY. All children and visitors should be kept a safe distance from work area.

9. MAKE WORKSHOP CHILDPROOF - with padlocks, master switches, or by removing starter keys.

10. DON'T FORCE TOOL. It will do the job better and be safer at the rate for which it was designed.

11. USE RIGHT TOOL. Don't force tool or attachment to do a job for which it was not designed.

12. WEAR PROPER APPAREL. No loose clothing, gloves, neckties, rings, bracelets, or other jewelry to get caught in moving parts. Non-slip footwear is recommended. Wear protective hair covering to contain long hair.

13. ALWAYS USE SAFETY GLASSES. Wear safety glasses. Everyday eyeglasses only have impact resistant lenses; they are not safety glasses. Also use face or dust mask if cutting operation is dusty.

14. SECURE WORK. Use clamps or a vise to hold work when practical. It's safer than using your hand and frees both hands to operate tool.

15. DON'T OVERREACH. Keep proper footing and

16. MAINTAIN TOOLS IN TOP CONDITION. Keep tools sharp and clean for best and safest performance. Follow instructions for lubricating and changing accessories.

17. DISCONNECT TOOLS before servicing and when changing accessories such as blades, bits, cutters, etc.

18. USE RECOMMENDED ACCESSORIES. The use of accessories and attachments not recommended by us may cause hazards or risk of injury to persons.

19. REDUCE THE RISK OF UNINTENTIONAL STARTING. Make sure switch is in "OFF" position before plugging in power cord.

20. NEVER STAND ON TOOL. Serious injury could occur if the tool is tipped or if the cutting tool is accidentally contacted.

21. CHECK DAMAGED PARTS. Before further use of the tool, a guard or other part that is damaged should be carefully checked to ensure that it will operate properly and perform its intended function - check for alignment of moving parts, binding of moving parts, breakage of parts, mounting, and any other conditions that may affect its operation. A guard or other part that is damaged should be properly repaired or replaced.

22. DIRECTION OF FEED. Feed work into a blade or cutter against the direction of rotation of the blade or cutter only.

23. NEVER LEAVE TOOL RUNNING UNATTENDED. TURN POWER OFF. Don't leave tool until it comes to a complete stop.

24. DRUGS, ALCOHOL, MEDICATION. Do not operate tool while under the influence of drugs, alcohol or any medication.

25. MAKE SURE TOOL IS DISCONNECTED FROM POWER SUPPLY while motor is being mounted, connected or reconnected.

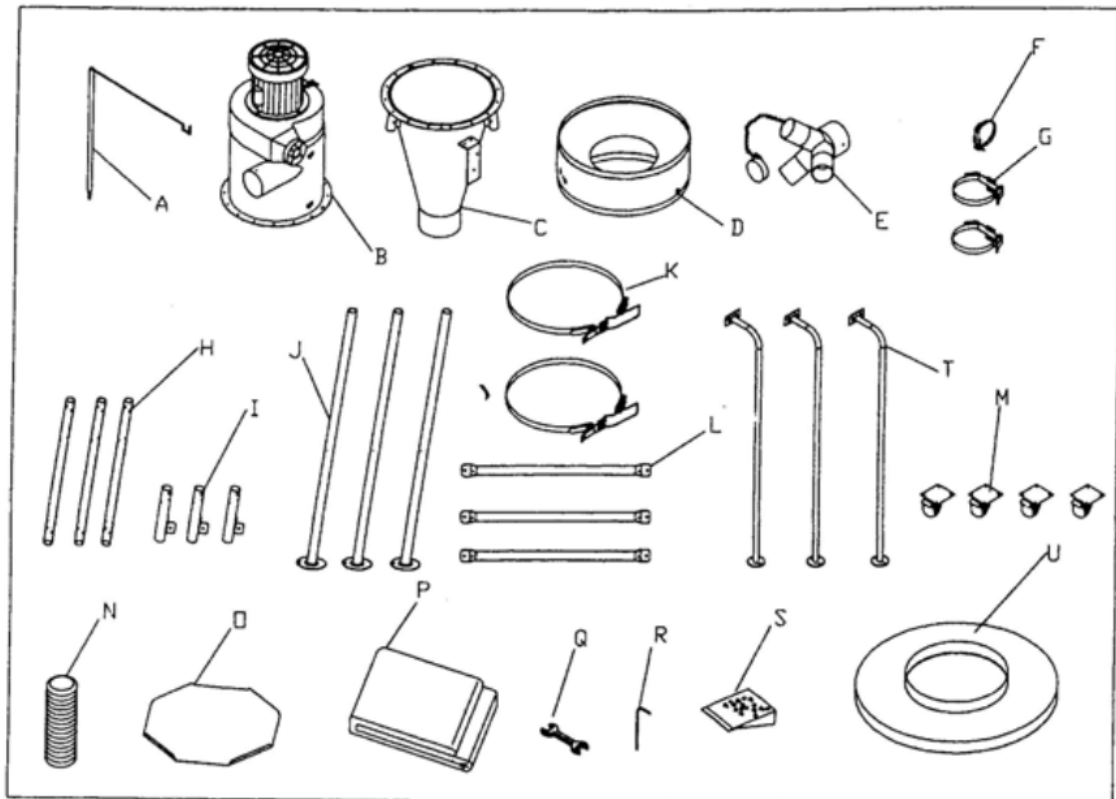
26. WARNING: The dust generated by certain woods and wood products can be injurious to your

## SPECIFICATIONS

MOTOR	3HP, 220V, SINGLE-PHASE
MOTOR SPEED	3450 RPM
SUCTION CAPACITY	2100 CFM
STATIC PRESSURE	10 INCH OF WATER
IMPELLER SIZE	13"
INLET SIZE	8"
BAG SIZE	19-5/8" X 88"
BAG CAPACITY	42 GALLON
AMP	18
OVERALL DIMENSIONS OF BASE	24-3/4" X 24-3/4"
HEIGHT WITH BAG INFLATED	120"
SWITCH	ON-OFF PUSH BUTTON
N.W.	93 KGS
G.W.	115 KGS
CUFT	26'

# UNPACKING AND CHECKING CONTENTS

After all the parts have been removed from the carton as shown, you should have:



- |                                       |                           |
|---------------------------------------|---------------------------|
| A. Hanger                             | L. Stiffener              |
| B. Collector Support Frame with Motor | M. Caster                 |
| C. Reducing Collector Support Frame   | N. Hose                   |
| D. Collector                          | O. Base                   |
| E. Inlet                              | P. Filter and Plastic Bag |
| F. Bag Clamp                          | Q. Open End Wrench        |
| G. Hose Clamp                         | R. Hex. Wrench            |
| H. Upper Supporting Leg               | S. Hardware screws        |
| I. Connecting Leg                     | T. Collector Supportor    |
| J. Lower Supporting Leg               | U. Drum Inlet Cover       |
| K. Bag Clamp                          |                           |

# **ASSEMBLY INSTRUCTION**

## **Step 1.**

Assembly the upper and lower supporting leg with connecting tube by using 8 pieces of hex. head screw  $5/16"$  x  $1/2"$ . Please see figure 1.

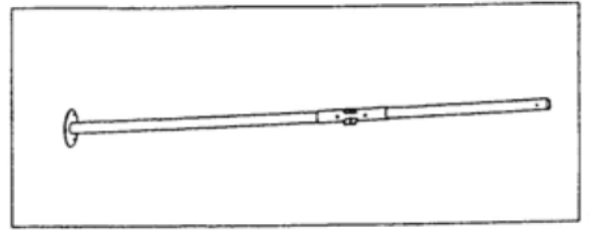


Figure1

## **Step 2.**

Place the support frame upside down as illustrated in figure 2. Insert 3 pieces of supporting leg by using 9 pieces of hex. head screw  $5/16"$  x  $1/2"$ . Please see figure 2.

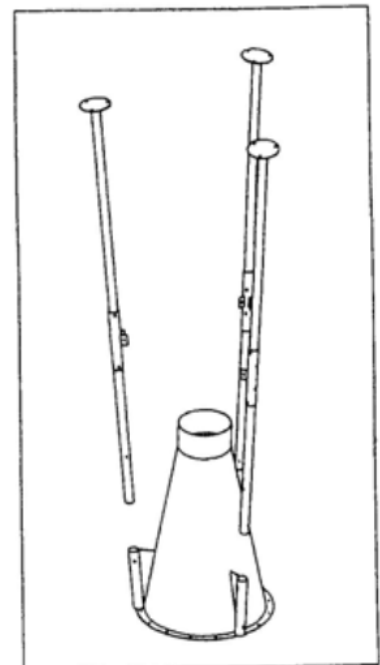
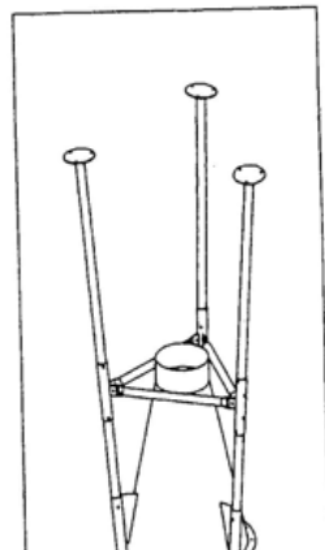


Figure2

## **Step 3.**

Connect the supporting leg with stiffener by using 6 pieces of hex. head screw  $5/16"$  x  $1/2"$  and nut  $5/16"$ . Please see figure 3.





#### Step 4

Place the motor with the main frame housing upside down. Mount the main frame housing with collector support frame with 4 pieces of washer 5/16" and nut 5/16". Please see figure 4.

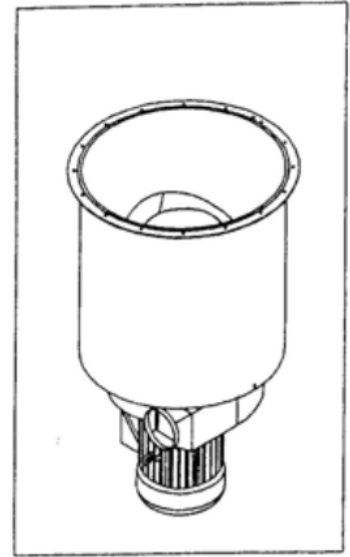


Figure4

#### Step 5

Assembly the collector support frame with reducing collector support frame by attaching 16 piece of 1/4" x 1" hex. screw and 1/4" nut. Then turn the unit up to a standing position. Please see figure 5.

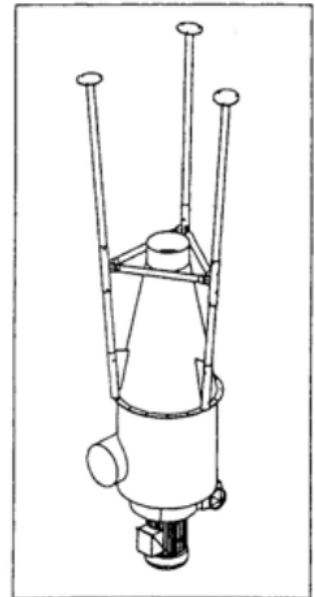
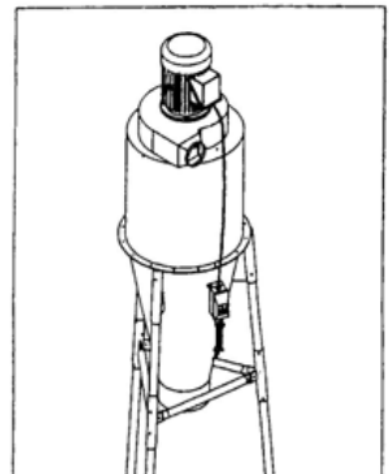


Figure5

#### Step 6

Install the switch plate with 2 pieces of hex. screw 1/4" x 3/4". Please see figure 6.



### Step 7

Mount the hanger on the top of collector support frame by using 2 pieces of 5/16" washer and 5/16" nut. Next, mount the filter bag with belt clamp. Then, connect the hose with the drum inlet cover by using hose clamp. Insert the 3-hole manifold into the suction inlet. Please see figure 7.

### Step 8

Assembly the collector with (3) collector supporter by using 6 pieces of 5/16" x 1/2" hex. Screw. Please see figure 8.

### Step 9

Now your two stages dust collect is completed assembly.

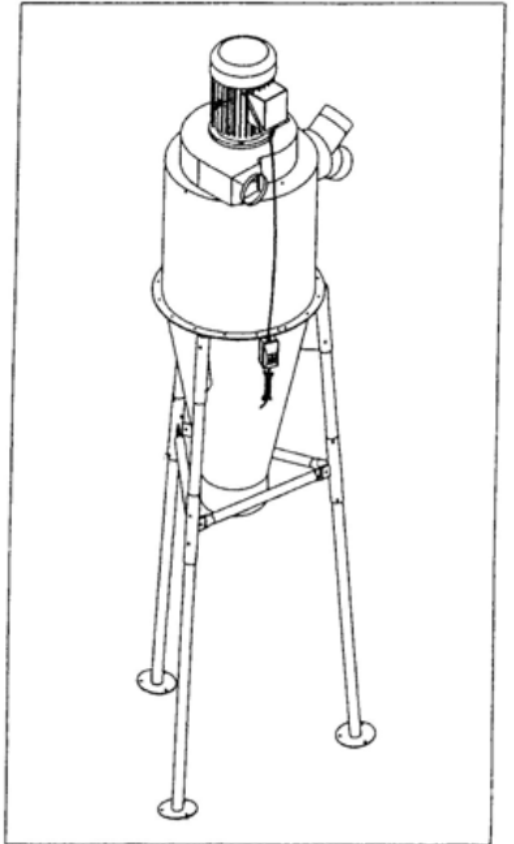
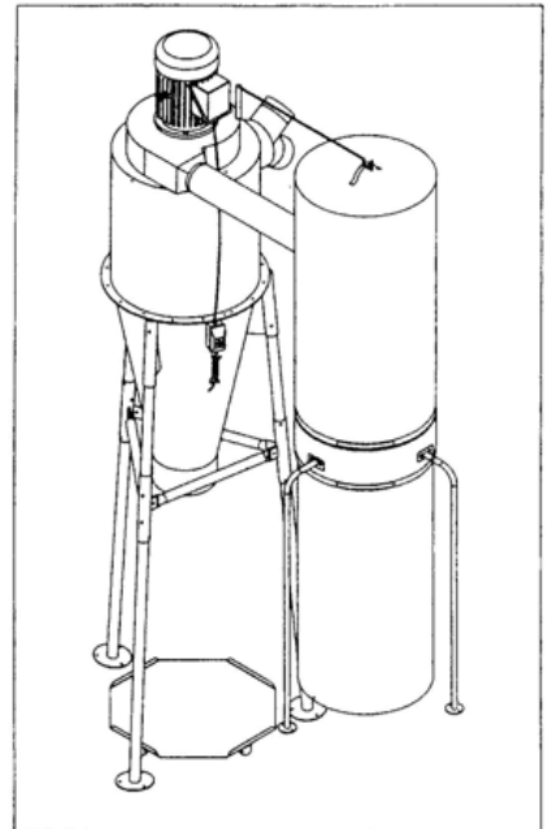
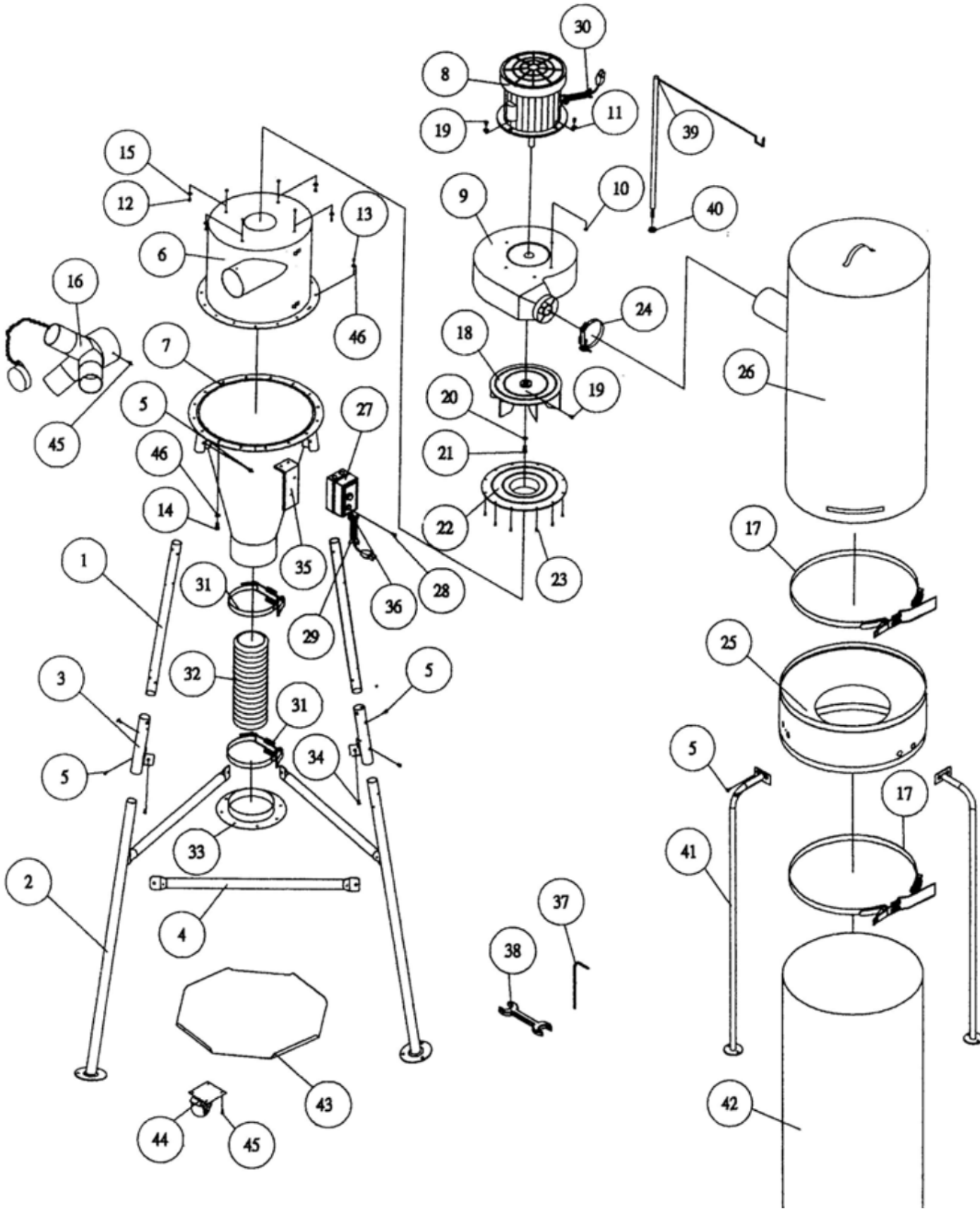


Figure7



# EXPLODED DIAGRAM



## PART LIST      3 HP DUST CYCLONE

NO.	Description	Specification	Q'ty
1	Upper Supporting Leg		3
2	Lower Supporting Leg		3
3	Connecting Leg		3
4	Stiffener		3
5	Hex. Head. Screw	5/16" X 1/2"	45
6	Collector Support Frame		1
7	Reducing Collector Support Frame		1
8	Motor		1
9	Main Frame Housing		1
10	Hex. Head Screw	5/16" X 1"	4
11	Spring Washer	5/16"	4
12	Nut	5/16"	8
13	Hex. Flange Screw	1/4" X 1 1/4"	17
14	Nut	1/4"	16
15	Washer	5/16" X 23	4
16	Inlet	8" X 4" x 3	1
17	Belt Clamp		2
18	Impeller		1
19	Hex. Head Screw	3/8" X 1/2"	1
20	Impeller Washer		1
21	Hex. Bolt	M6 X 20	1
22	Inlet Cover		1
23	Round Head Screw	3/16" X 3/8"	12
24	Belt Clamp		1
25	Collector		1
26	Filter Bag		1
27	Switch		1
28	Round Head Screw	3/16" x 3/4"	2
29	Power Cord (for cord connected appliance)		1
30	Motor Power Cord		1
31	Hose Clamp		2
32	Hose		1
33	Drum Inlet Cover		1
34	Nut	5/16"	6

35	Switch Plate		1
36	PG Bushing	PG16	2
37	Hex. Wrench	5mm	1
38	Open End Wrench	10 X 12	1
39	Hanger		1
40	Nut	5/16"	1
41	Collector Supporter		3
42	Plastic Bag		1
43	Base		1
44	Caster		4
45	Pan Hd. Screw	3/16" X 3/8"	17
46	Washer	1/4" X 18	17



## WARRANTY

### CRAFTEX 3 YEAR LIMITED WARRANTY

Craftex warrants every product to be free from defects in materials and agrees to correct such defects where applicable. This warranty covers **three years** for parts and 90 days for labour (unless specified otherwise), to the original purchaser from the date of purchase but does not apply to malfunctions arising directly or indirectly from misuse, abuse, improper installation or assembly, negligence, accidents, repairs or alterations or lack of maintenance.

*Proof of purchase is necessary.*

All warranty claims are subject to inspection of such products or part thereof and Craftex reserves the right to inspect any returned item before a refund or replacement may be issued.

This warranty shall not apply to consumable products such as blades, bits, belts, cutters, chisels, punches etceteras.

Craftex shall in no event be liable for injuries, accidental or otherwise, death to persons or damage to property or for incidental contingent, special or consequential damages arising from the use of our products.

### RETURNS, REPAIRS AND REPLACEMENTS

To return, repair, or replace a Craftex product, you must visit the appropriate Busy Bee Tools showroom or call 1-800-461-BUSY. Craftex is a brand of equipment that is exclusive to Busy Bee Tools.

For replacement parts directly from Busy Bee Tools, for this machine, please call 1-800-461-BUSY (2879), and have your credit card and part number handy.

- All returned merchandise will be subject to a minimum charge of 15% for re-stocking and handling with the following qualifications.
- Returns must be pre-authorized by us in writing.
- We do not accept *collect* shipments.
- Items returned for warranty purposes must be insured and shipped pre-paid to the nearest warehouse
- Returns must be accompanied with a copy of your original invoice as proof of purchase. Returns must be in an un-used condition and shipped in their original packaging a letter explaining your reason for the return. Incurred shipping and handling charges are not refundable.
- Busy Bee will repair or replace the item at our discretion and subject to our inspection.
- Repaired or replaced items will be returned to you pre-paid by our choice of carriers.
- Busy Bee reserves the right to refuse reimbursement or repairs or replacement if a third party without our prior authorization has carried out repairs to the item.
- Repairs made by Busy Bee are warranted for 30 days on parts and labour.
- Any unforeseen repair charges will be reported to you for acceptance prior to making the repairs.
- The Busy Bee Parts & Service Departments are fully equipped to do repairs on all products purchased from us with the exception of some products that require the return to their authorized repair depots. A Busy Bee representative will provide you with the necessary information to have this done.
- For faster service it is advisable to contact the nearest Busy Bee location for parts availability prior to bringing your product in for repair.