

## Generator set data sheet



Model: C330 D5  
 Frequency: 50  
 Fuel type: Diesel

Spec sheet:	SS29-CPGK
Noise data sheet (open/enclosed):	ND500S / MSP-2023
Airflow data sheet:	AF50-550

Fuel consumption	Standby				Prime			
	kVA (kW)				kVA (kW)			
Ratings	330 (264)				300 (240)			
Load	1/4	1/2	3/4	Full	1/4	1/2	3/4	Full
gph	4.4	7.9	12.1	16.5	3.7	6.8	10.1	13.8
L/hr	20.0	36.0	55.0	75.0	17.0	31.0	46.0	63.0

Engine	Standby Rating	Prime Rating
Engine manufacturer	Cummins	
Engine model	QSL9-G5	
Configuration	4 cycle; in-line; 6 cylinder diesel	
Aspiration	Turbo charged and charge air cooled	
Gross engine power output, kWm	310	268
BMEP at set rated load, kPa	2785	2413
Bore, mm	114	
Stroke, mm	145	
Rated speed, rpm	1500	
Piston speed, m/s	7.2	
Compression ratio	16.8:1	
Lube oil capacity, L	26.5	
Overspeed limit, rpm	1800 ±50	
Regenerative power, kW	47	
Governor type	Electronic	
Starting voltage	24 Volts DC	

### Fuel flow

Maximum fuel flow, L/hr	165
Maximum fuel inlet restriction, mm Hg	203
Maximum fuel inlet temperature, °C	70

Air	Standby Rating	Prime Rating
Combustion air, m <sup>3</sup> /min	20.30	18.70
Maximum air cleaner restriction, kPa	6.2	

## Exhaust

Exhaust gas flow at set rated load, m <sup>3</sup> /min	53.0	44.9
Exhaust gas temperature, °C	560	500
Maximum exhaust back pressure, kPa	10.2	

## Standard set-mounted radiator cooling

Ambient design, °C	50	
Fan load, kW <sub>m</sub>	10	
Coolant capacity (with radiator), L	15	
Cooling system air flow, m <sup>3</sup> /sec @ 12.7 mmH <sub>2</sub> O	7.93	
Total heat rejection, Btu/min	10190	8415
Maximum cooling air flow static restriction mm H <sub>2</sub> O	19.1	

## Weights\*

	Open	Enclosed
Unit dry weight kgs	2346	4095
Unit wet weight kgs	2570	4734

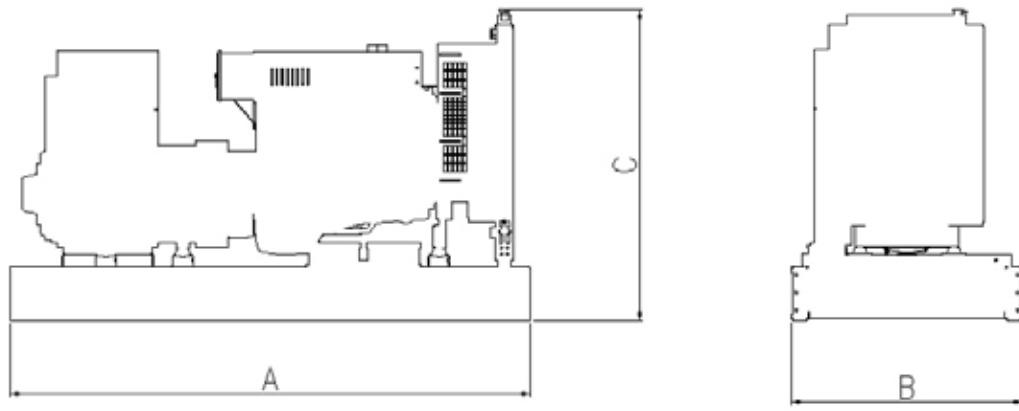
\* Weights represent a set with standard features. See outline drawing for weights of other configurations.

## Dimensions

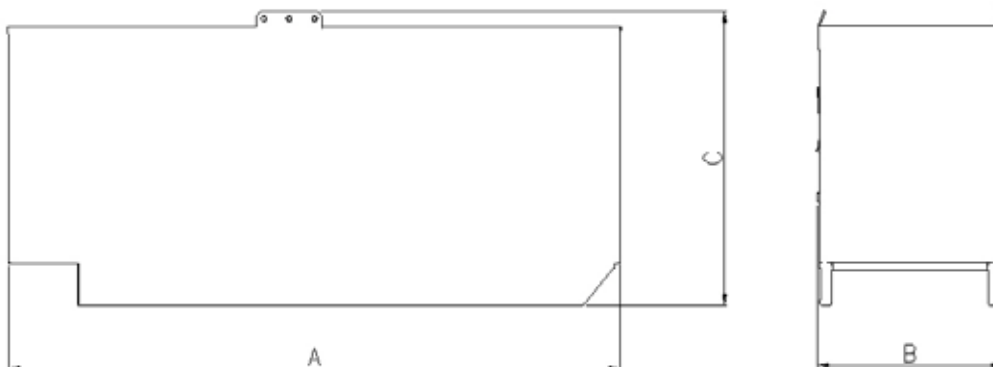
	Length	Width	Height
Standard open set dimensions mm	3135	1100	1928
Enclosed set standard dimensions mm	4254	1424	2215

## Genset outline

### Open set



### Enclosed set



Outlines are for illustrative purposes only. Please refer to the genset outline drawing for an exact representation of this model.

## Alternator data

Connection	Temp rise °C	Duty	Alternator	Voltage
Wye 3-phase	163.125	S/P	HC4D	380-415V
Wye 3-phase	125/105	S/P	HC4E	380-440V

## Ratings definitions

Emergency standby power (ESP):	Limited-time running power (LTP):	Prime power (PRP):	Base load (continuous) power (COP):
Applicable for supplying power to varying electrical load for the duration of power interruption of a reliable utility source. Emergency Standby Power (ESP) is in accordance with ISO 8528. Fuel Stop power in accordance with ISO 3046, AS 2789, DIN 6271 and BS 5514.	Applicable for supplying power to a constant electrical load for limited hours. Limited Time Running Power (LTP) is in accordance with ISO 8528.	Applicable for supplying power to varying electrical load for unlimited hours. Prime Power (PRP) is in accordance with ISO 8528. Ten percent overload capability is available in accordance with ISO 3046, AS 2789, DIN 6271 and BS 5514.	Applicable for supplying power continuously to a constant electrical load for unlimited hours. Continuous Power (COP) is in accordance with ISO 8528, ISO 3046, AS 2789, DIN 6271 and BS 5514.

## Formulas for calculating full load currents:

Three phase output

$$\frac{\text{kW} \times 1000}{\text{Voltage} \times 1.73 \times 0.8}$$

Single phase output

$$\frac{\text{kW} \times \text{SinglePhaseFactor} \times 1000}{\text{Voltage}}$$

### See your distributor for more information.

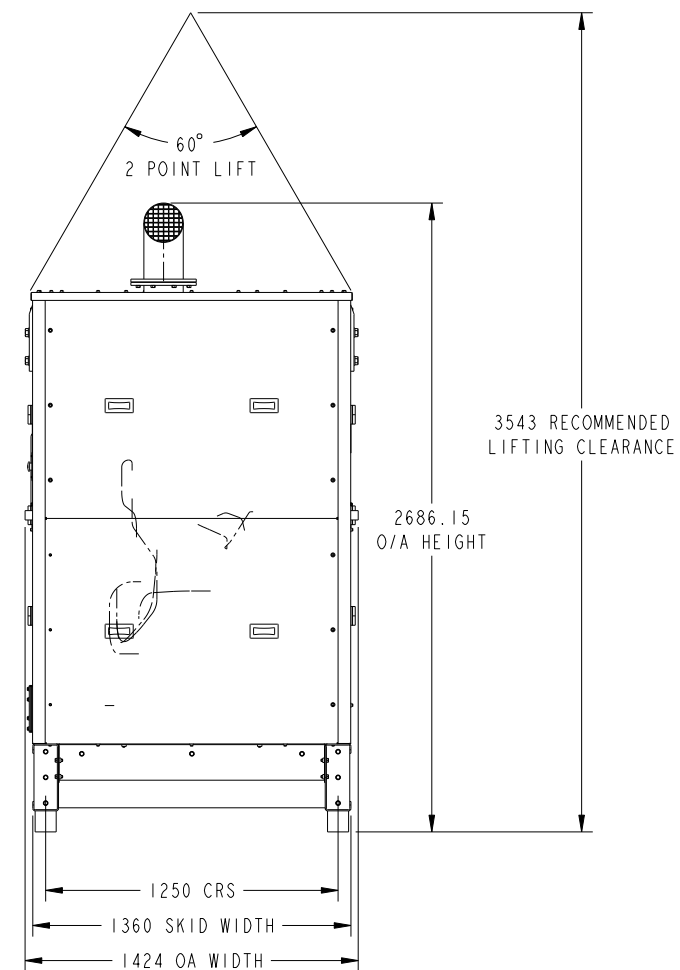
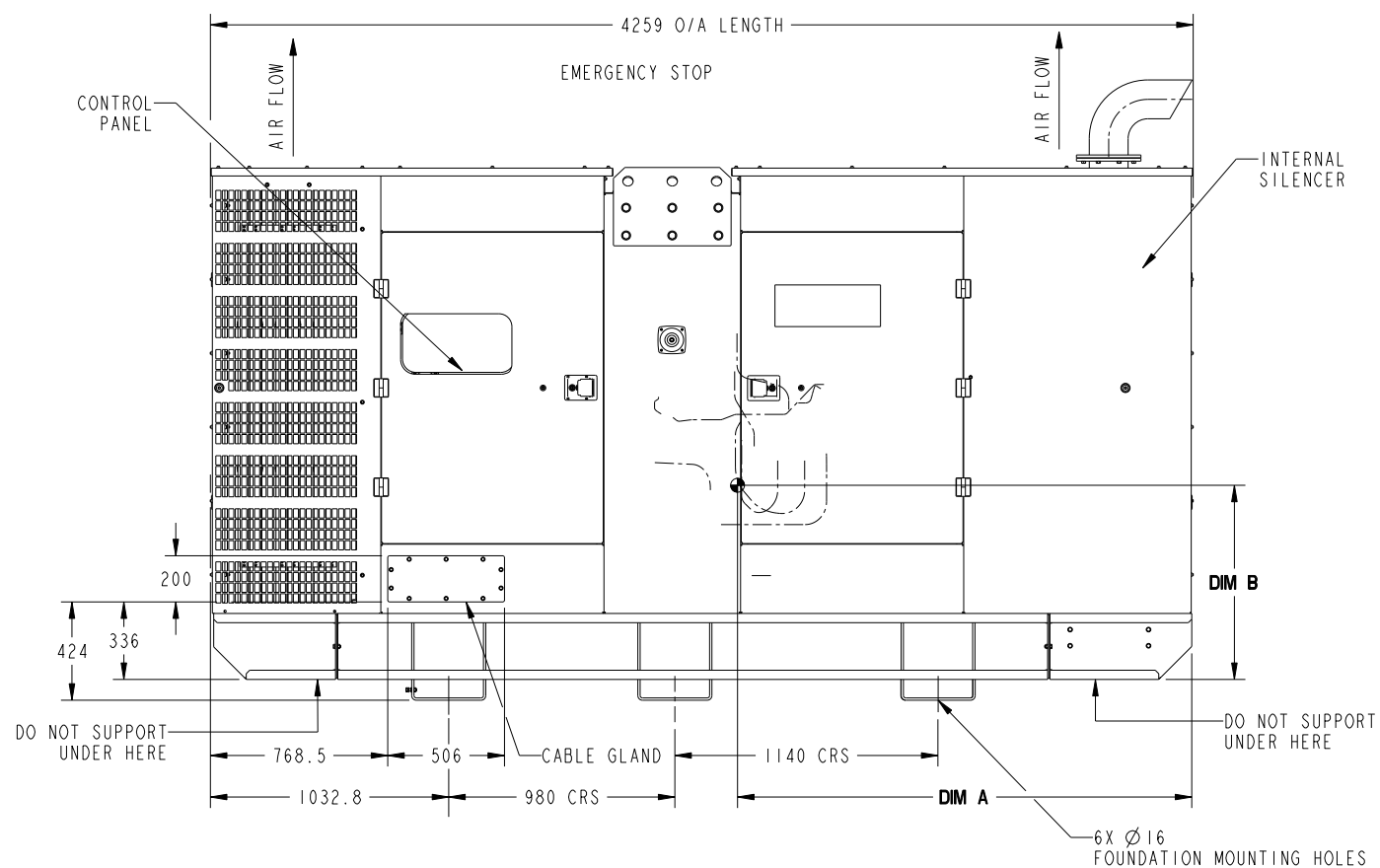
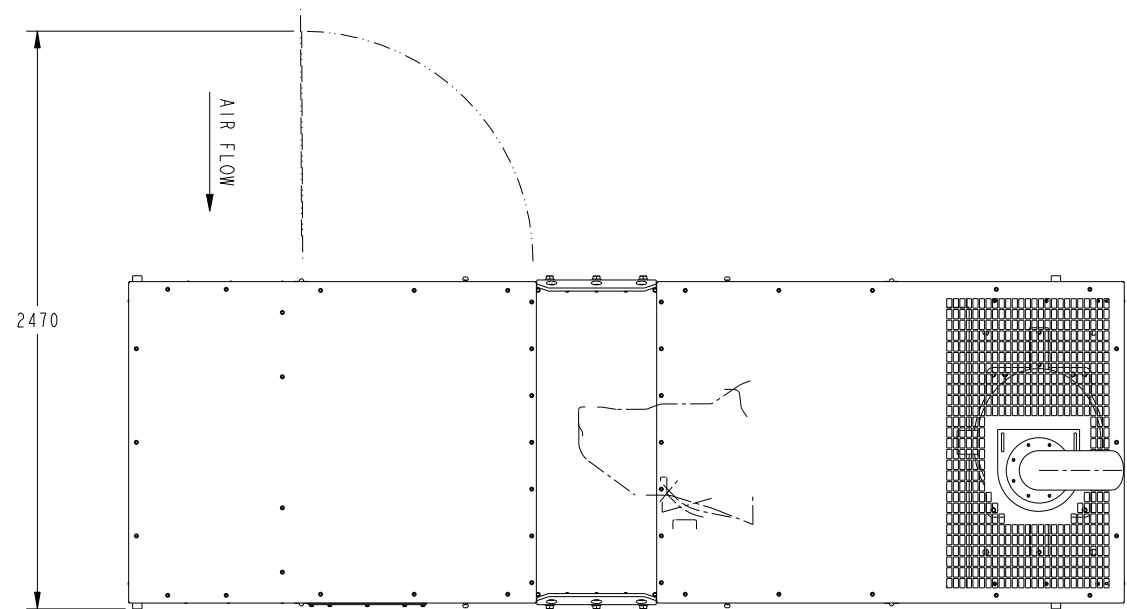
Cummins Power Generation  
 Manston Park, Columbus Avenue  
 Manston, Ramsgate  
 Kent CT12 5BF, UK  
 Telephone: +44 (0) 1843 255000  
 Fax +44 (0) 1843 255902  
 E-mail: [cpg.uk@cummins.com](mailto:cpg.uk@cummins.com)  
 Web: [www.cumminspower.com](http://www.cumminspower.com)



REL NO	LTR NO	REVISION	DWN	CKD	APVD	DATE
ECO-154619	C	I ZONE A6, UPDATE C.G. TABLE	OS	AP	A_DANTALE	12AUG15

NOTE:

- PLEASE ALLOW THE FOLLOWING PARAMETER CLEARANCES AROUND THE ENCLOSURE SIDE (INC OPEN DOORS) 500 MM ABOVE THE CANOPY 1000 MM.
- PLEASE REFER TO MANUAL FOR 2 POINT INSTRUCTIONS.
- USEABLE FUEL TANK VOLUME 508 LTR.



MODEL	ENGINE	ALTERNATOR	DRY WEIGHT	WET WEIGHT	WET WEIGHT WITH FUEL	C OF G DIM A	C OF G DIM B
C275D5/C250D6	QSL9G5	UCD274K	4125	4177	4764	1792	664
C275D5/C250D6	QSL9G5	HC4D	4348	4400	4987	1823	666
C300D5/C275D6	QSL9G5	HC4D	4348	4400	4987	1823	666
C330D5/C300D6	QSL9G5	HC4D	4348	4400	4987	1823	666
C330D5/C300D6	QSL9G5	HC4E	4428	4480	5067	1835	668

UNLESS OTHERWISE SPECIFIED, ALL DIMENSIONS ARE IN MILLIMETERS		SHEET NO. 1 OF 1		DWN V_HARNE		CUMMINS POWER GENERATION	
DO NOT SCALE PRINT		APVD S_PAYMAL		CKD S_PAYMAL		OUTLINE, ENCLOSURE	
DATE 02MAY14		FIRST USED ON QSL9 CLONE		SITE CODE CIL		SHEET 1 OF 1	
ANG TOL: ± 1.0°		SCALE: ~1/16		CUMMINS POWER GENERATION GROUP		DRAWING REV C	