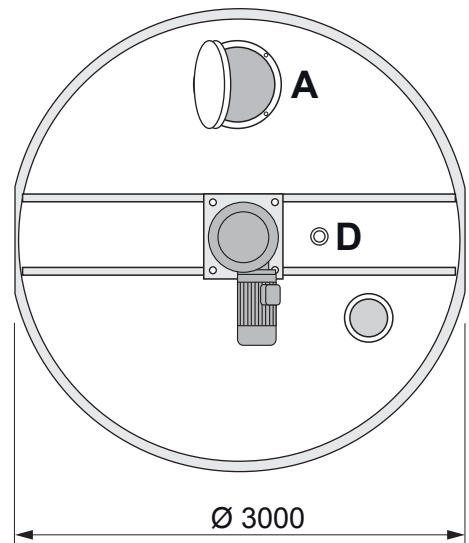
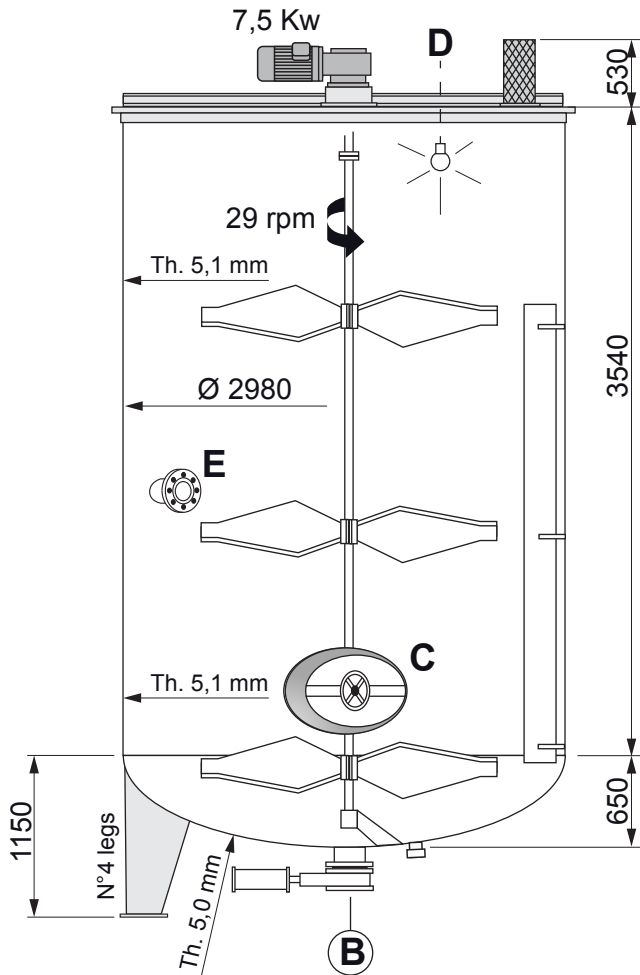


# COPRINOX

# VESSEL

Code n° **VV 276 1598**

Location ref: 19 C5



<b>CAPACITY LITERS</b> <u>27.600</u>		<b>SHELL SIDE</b>	<b>JACKET/COIL SIDE</b>
Design Pressure KG/cm <sup>2</sup>		Atm	--
Design Temperature °C		--	--
Material		AISI 304	--
ANCC or ISPESL certification: _____		<b>NOZZLE DIMENSIONS</b>	
Availability in stock n° <u>1</u> units		<b>Pos</b>	<b>Service</b>
<b>MANUFACTURER</b> _____		<b>Size</b>	
<input checked="" type="checkbox"/> USED		A	Manhole
<input type="checkbox"/> USED RECONDITIONED		B	Product outlet
<input type="checkbox"/> UNUSED		C	Manhole
		D	CIP - sprayball
		E	Product inlet
<b>WEIGHT (approx) Kg</b> <u>2200</u>		<b>NOTE</b> _____	