

SANI-TECH SYSTEMS, INC.

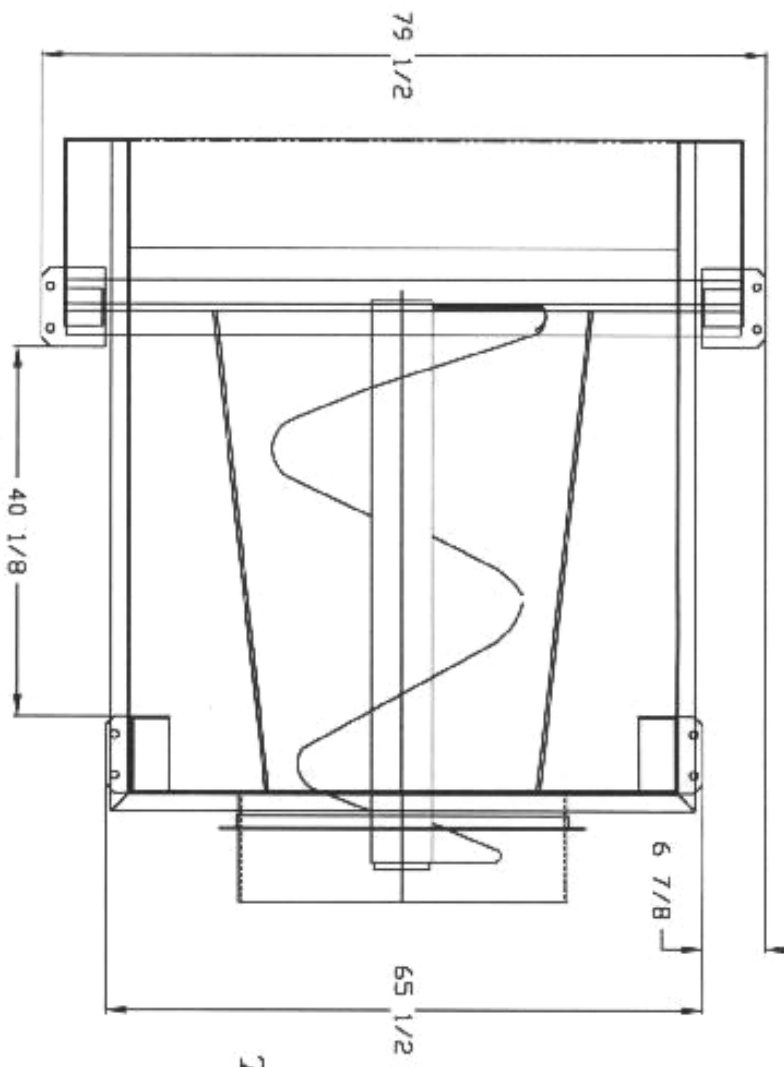
P.O. BOX 444 DUVALL, WA 98019 PH: (425) 788-6444

TITLE: MODEL ST1546\36 CORRUGATE
 DIMENSIONAL SALES INFO.

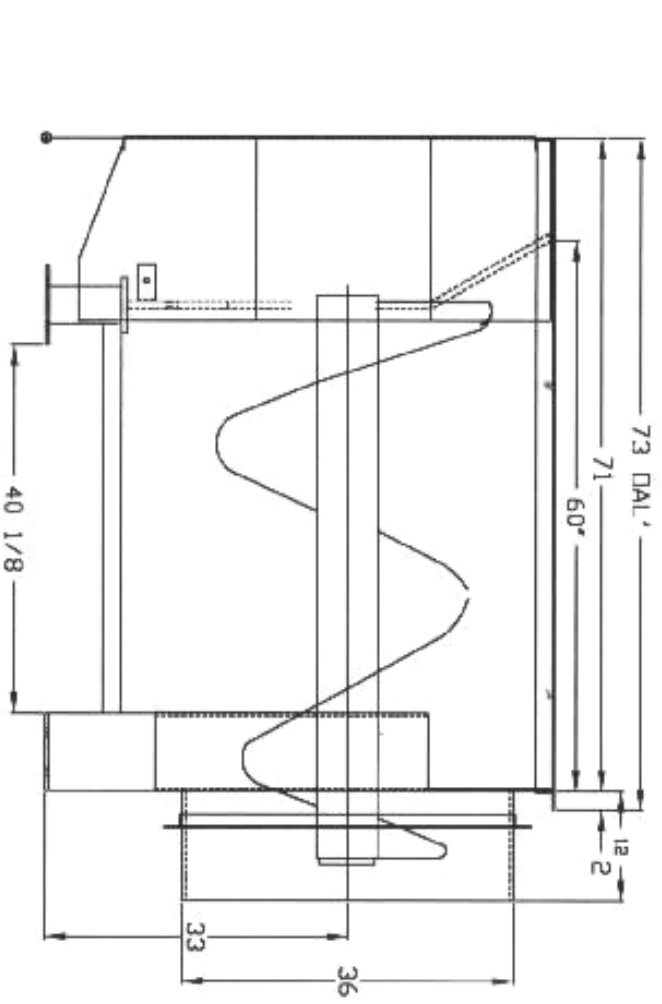
PLT: 3/64	SCALE 3/32"=2"	DATE: 2/1/99	REV
SIZE: A	DRAWN: I.LEE	DWG.# 304632	-

DATA UPDATE 8/30/99
 DATA UPDATE 11/17/99
 DATA UPDATE 1/26/2001

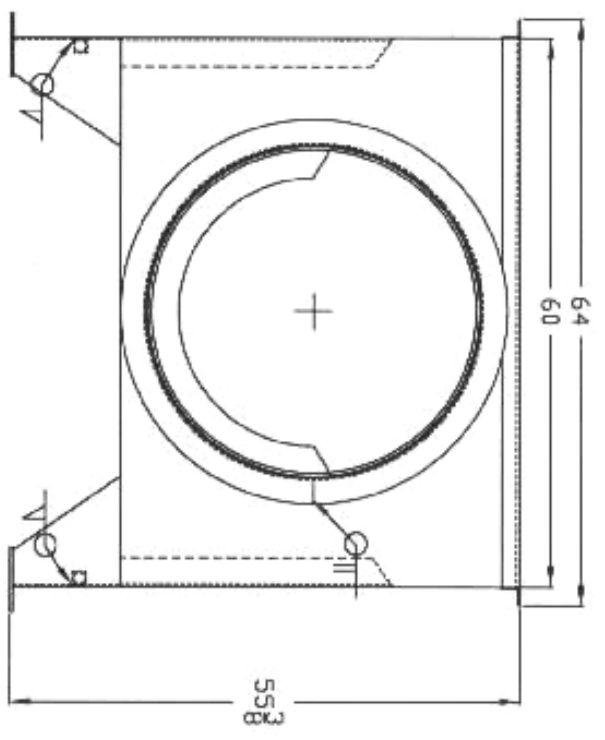
WARNING
 PROPRIETARY OF SANI-TECH
 DO NOT DUPLICATE



TOP VIEW



SIDE VIEW



END VIEW