

PRINCIPALS	
ENGINE MODEL	6L23/30Hx900RPM
YARD/HULL NO.	
CLASSIFICATION	KR + UMA
ALTERNATOR	MANUFACTURER CM-HYUNDAI
	TYPE HFC6 508-84K
	D/G NO. XD-W060353
	OUT PUT 900 kW
	WEIGHT 3800 KG
ENGINE+COMMON BED WEIGHT	16975 KG
TOTAL WEIGHT (DRY)	20775 KG
REMARK	

(B) MINIMUM SPACE FOR OVERHAUL
(C) NORMAL SPACE FOR OVERHAUL

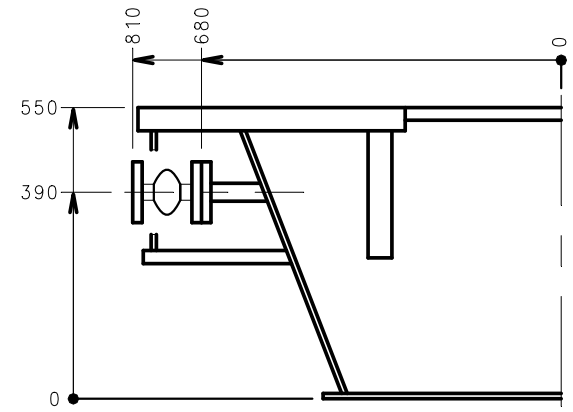
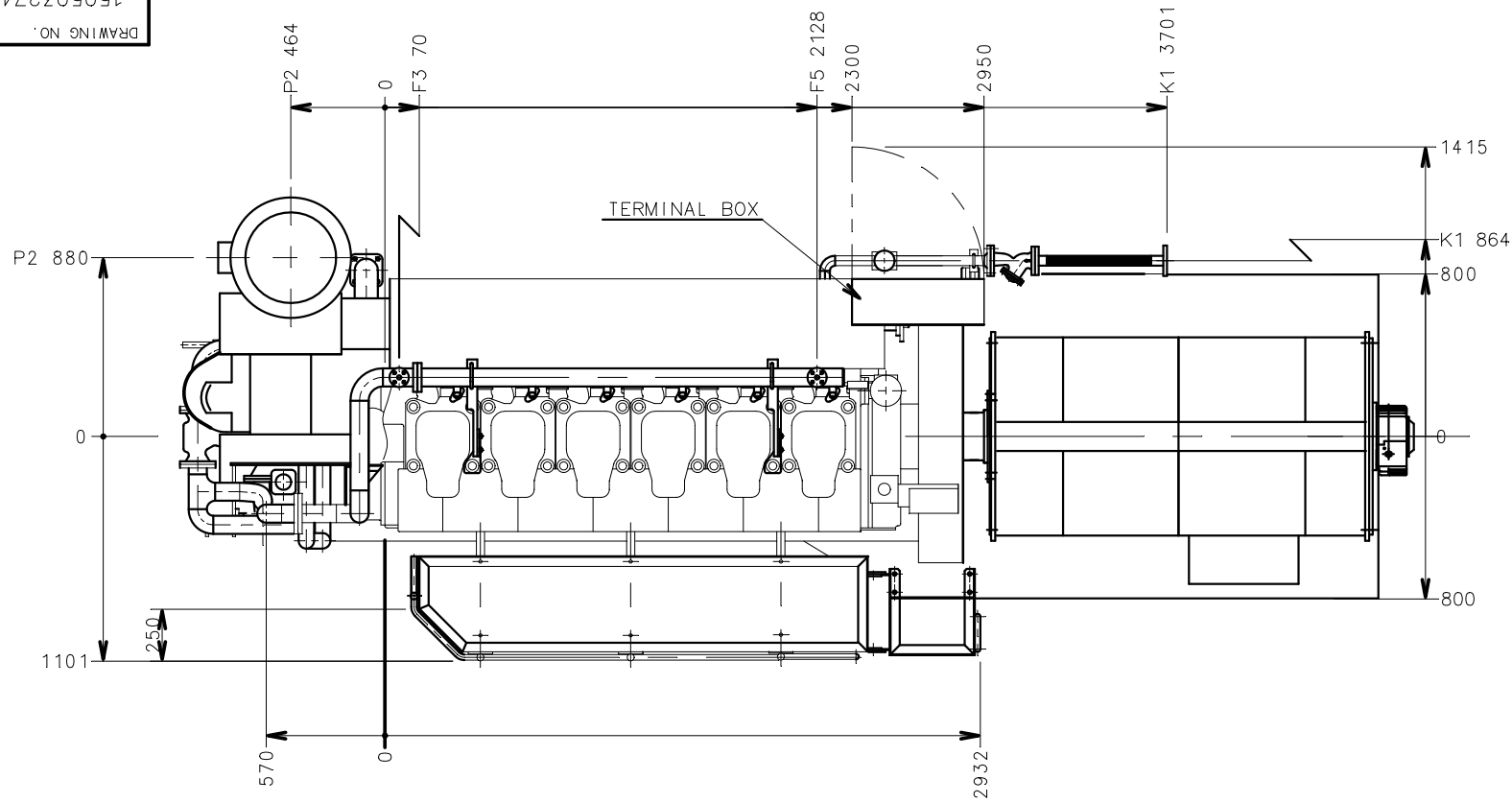
B	110907	J.H.	S.B.L	TO BE CHANGED BY E/G MAKER	
A	110711	J.H.	S.B.L	TO BE CHANGED BY E/G MAKER	
REV	LOC	DATE	MADE	APPD	NOTE
MATERIAL		SCALE 1/25		CAD MODEL 6L23/30H WEIGHT kg	
DWN	20110504	J.H. IM	SIZE	NAME	
CHKD	20110504	S.B. LEE	A2	GENERAL ARRANGEMENT	
APPD	20110504	Y.O. KIM			

Class No.	N4	N5	N6	N7	N8	N9
OVER	1	4	±0.1			
MAX.	4	16	±0.2			
	16	63	±0.3			
	63	250	±0.5			
	250	1000	±0.8			

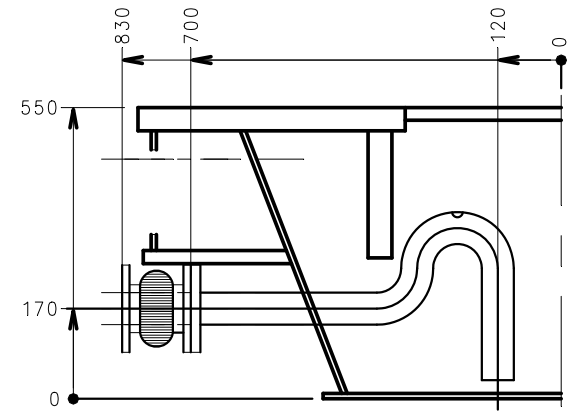
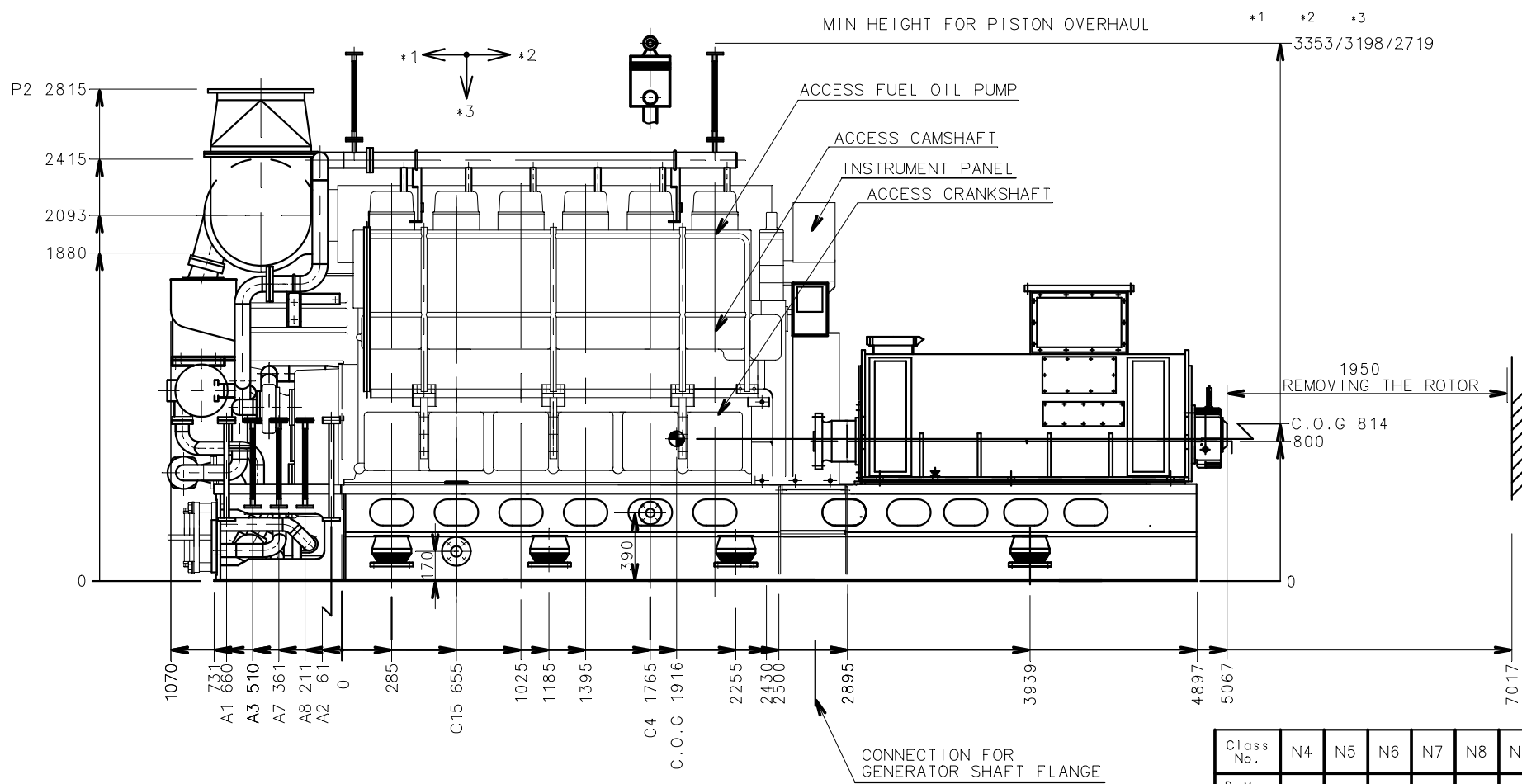
Ra Max. Value(um) 0.2 0.4 0.8 1.6 3.2 6.3 12.5 25 50 100 200 400 800 1600 3200

본 도면은 CADAM 도면이므로 수정없이 수정할 수 없음.
This is a CADAM drawing and should not be corrected by hand

DRAWING NO.
150503274B(1/3)



DETAIL "C3/C16, C4"



DETAIL "C15"

GENERAL TOLERANCE FOR MACHINED MEASURES		B	110907	J.H.	S.B.L	TO BE CHANGED BY E/G MAKER	
		A	110711	J.H.	S.B.L	TO BE CHANGED BY E/G MAKER	
REV	LOC	DATE	MADE	APPD	NOTE		
NOMINAL MEASURE		MATERIAL		SCALE	CAD	MODEL	
OVER	MAX.			1/25	WEIGHT	6L23/30H	
1	4						
4	16						
16	63						
63	250						
250	1000						
TOLERANCES		DWN		20110504	J.H. IM	SIZE	NAME
		CHKD		20110504	S.B. LEE	A2	GENERAL ARRANGEMENT
		APPD		20110504	Y.O. KIM		
Class No.		N4	N5	N6	N7	N8	N9
Ra Max. Value(um)		0.2	0.4	0.8	1.6	3.2	6.3

본 도면은 CADAM 도면이므로 수작업에 의해 수정할 수 없음.
This is a CADAM drawing and should not be corrected by hand

DRAWING NO.
150503274B(2/3)