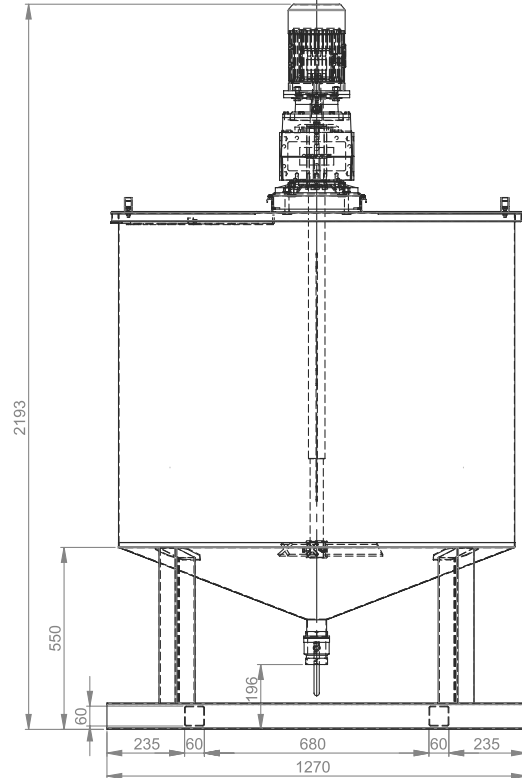
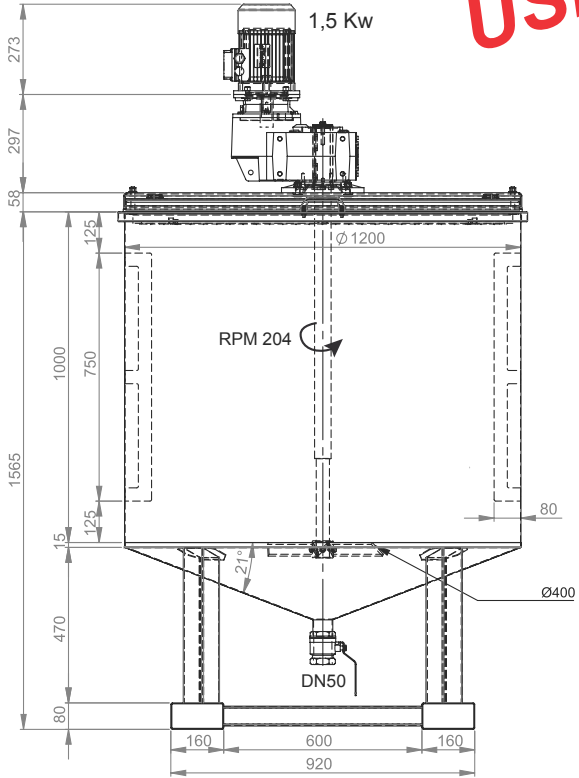


USED 2017



CAPACITY LITERS <u> 1.100 </u>	SHELL SIDE	JACKET/COIL SIDE
Design Pressure KG/cm2	ATM	
Design Temperature °C		
Material	AISI 304	
ANCC or ISPESL certification: <u> NOT </u>	NOZZLE DIMENSIONS	
Availability in stock n° <u> 01 </u> units	Pos	Service
MANUFACTURER: <u> COPRINOX </u>	A	Size inch.
<input type="checkbox"/> USED	B	
<input checked="" type="checkbox"/> USED RECONDITIONED	C	
<input type="checkbox"/> UNUSED	D	
	E	
WEIGHT (approx) Kg <u> 230. </u>	NOTE Working capacity 400-1000 lt	
	Model: MIX1000	
	Basement can be lift and moved using forklift	