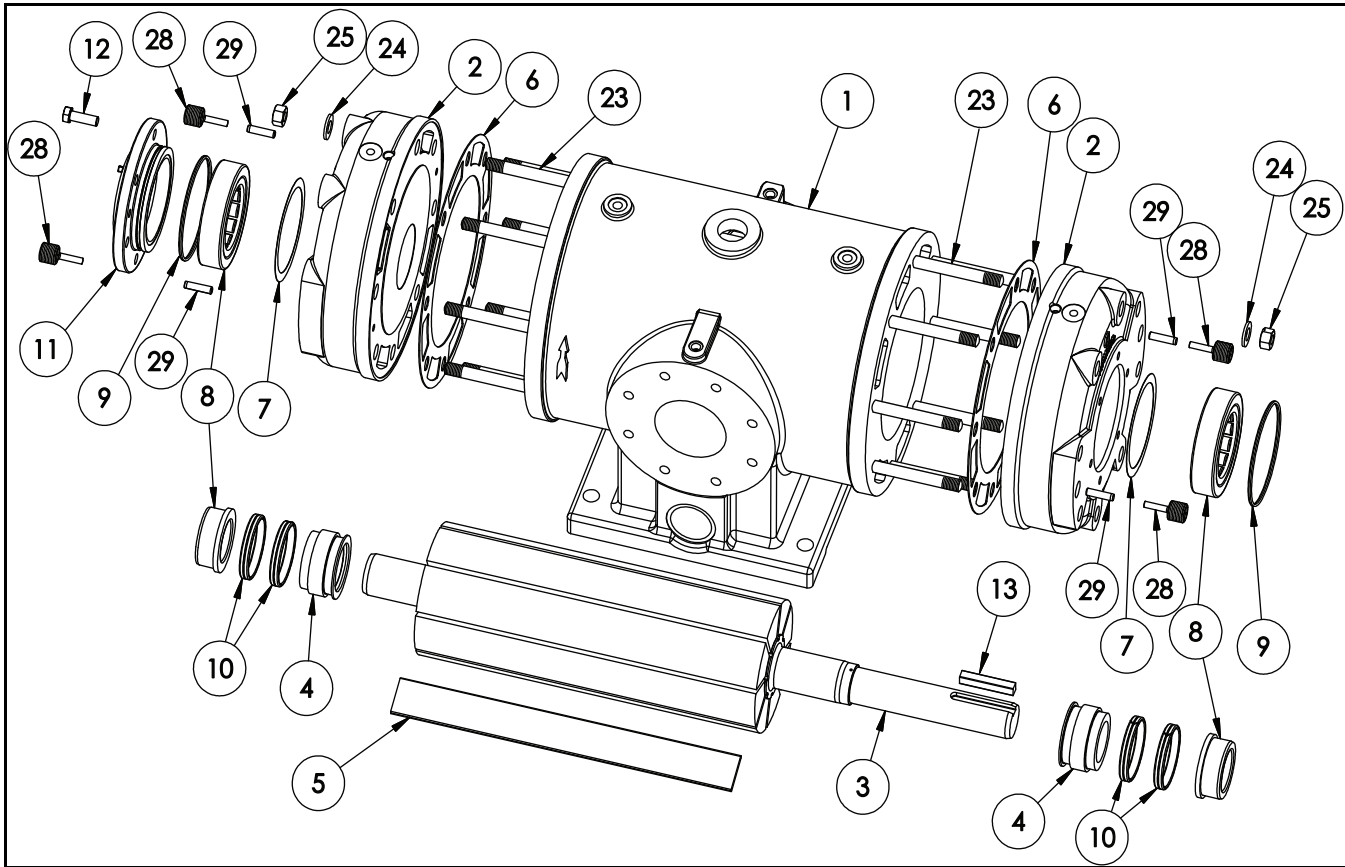


RO-FLO® MODEL 7D



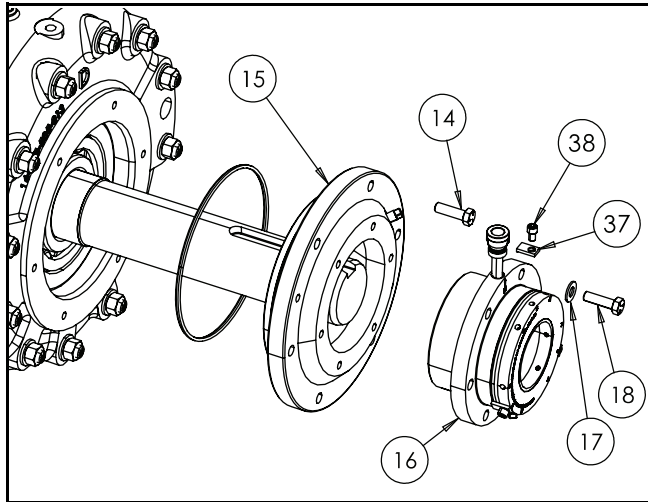
*The above images displayed are representations only, meant to illustrate component locations.

PARTS TABLE

ITEM	PART DESCRIPTION	PART NUMBER		QTY	Blade Change Kit (BCK)	Rebuild Kit (RK)
		STANDARD	VITON®			
1	Cylinder, 125 Degree	16-136-433-541		1		
1A	Cylinder, 110 Degree	16-136-433-542		1		
2	Cylinder Head	*16-435-615-010	*16-435-615-017	2		
3	Rotor Shaft	16-334-802-003		1		
4	Bearing Spacer Ring	16-133-926-001		2		
5	Rotor Blade Set	16-136-456-808		1 (Set of 8)	1	1
6	Cylinder Head Gasket	*16-235-937-001	*16-235-937-003	2	1	2
7	Bearing Shim Set	16-132-484-801		2		2
8	Roller Bearing	16-235-971-031		2		2
9	O-Ring	16-235-921-002	16-235-921-049	2	1	2
10	Seal Ring	16-140-877-003		4	2	4
11	End Cover	16-235-927-007		1		
12	Screw - End Cover	00-611-271-546		4		
13	Square Key	00-677-101-237		1		
23	Stud	16-132-236-004		16		
24	Washer, Cylinder Head	00-651-016-985		16		
25	Nut, Cylinder Head	00-631-001-108		16		
28	Jack Screw - Cylinder Head	16-143-098-001		4		
29	Dowel Pin - Cylinder Head	00-671-126-001		4		

*Cylinder heads are machined differently for standard vs. Viton gasket materials. Gasket/head combinations are not interchangeable. See the following page for kit part numbers and information about seals included in Rebuild Kit.

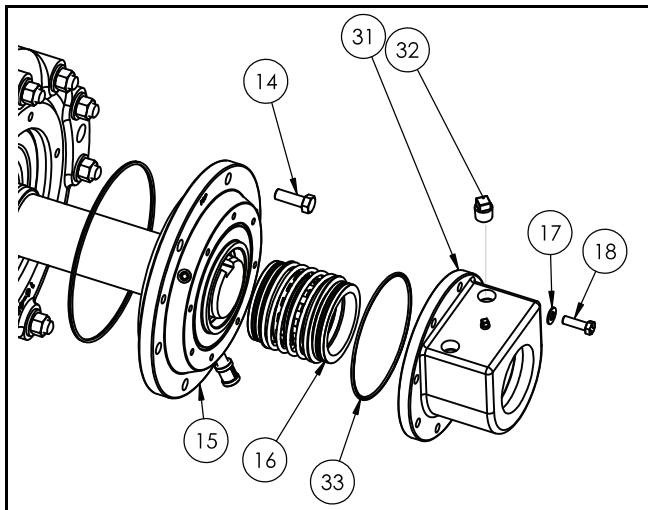
MECHANICAL SEAL - SINGLE FACE



PARTS TABLE

ITEM	PART DESCRIPTION	PART NUMBER	QTY	KIT ITEM (QTY)
14	Screw, Seal Adapter	00-615-142-546	4	
15	Seal Adapter	16-334-800-007	1	
16	Mechanical Seal Assembly	16-242-100-002	1	RK (1)
17	Washer, Seal	00-651-016-989	6	RK (6)
18	Screw, Seal	00-611-315-468	6	RK (6)
37	Locking Tab	16-242-100-603	3	
38	Screw, Locking Tab	00-615-143-369	3	
BCK				
	Blade Change Kit (std)	16-136-760-852		
	Blade Change Kit (Viton®)	16-136-761-103		
RK				
	Rebuild Kit (std)	16-136-772-003		
	Rebuild Kit (Viton®)	16-136-773-003		

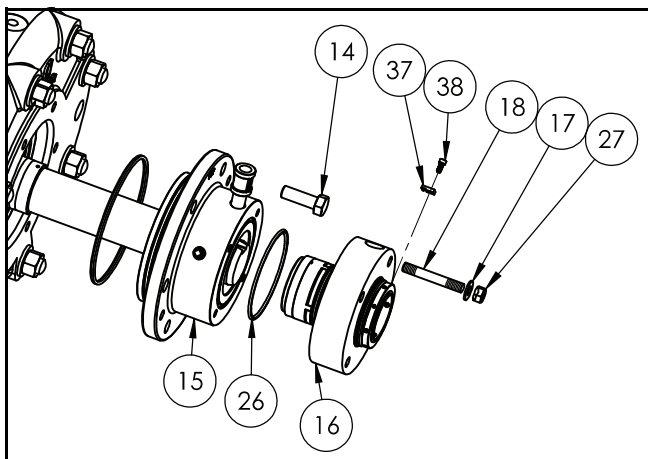
MECHANICAL SEAL - DOUBLE BELLOWS SEAL



PARTS TABLE

ITEM	PART DESCRIPTION	PART NUMBER	QTY	KIT ITEM (QTY)
14	Screw, Seal Adapter	00-615-142-546	4	
15	Seal Adapter	16-335-641-005	1	
16	Viton Double Bellows Seal	16-242-552-002	1	RK (1)
17	Washer, Seal	00-651-016-989	4	
18	Screw, Seal	00-611-315-468	4	
31	Seal Cage	16-335-640-005	1	
32	Pipe Plug, Seal Cage	00-711-509-004	1	
33	Seal Cage O-Ring	16-235-921-036	1	RK (1)
BCK				
	Blade Change Kit	16-136-761-103		
RK				
	Rebuild Kit	16-136-761-403		

MECHANICAL SEAL - DOUBLE OPPOSED CARTRIDGE SEAL



PARTS TABLE

ITEM	PART DESCRIPTION	PART NUMBER	QTY	KIT ITEM (QTY)
14	Screw, Seal Adapter	00-615-142-546	4	
15	Seal Adapter	16-335-659-001	1	
16	Double Opposed Cartridge Seal	16-242-625-002	1	
17	Washer, Seal	00-651-016-989	4	
18	Stud, Seal	16-132-490-004	4	
26	O-Ring, Cartridge Seal	16-235-921-048	1	RK (1)
27	Nut, Cartridge Seal	00-631-001-106	4	
37	Locking Tab	16-242-625-111	4	
38	Screw, Locking Tab	16-242-625-121	4	
BCK				
	Blade Change Kit	16-136-761-103		
RK				
	Rebuild Kit (shaft seal not incl.)	16-136-763-203		