

DESIGN DATA

DESIGN & FABRICATE TO ASME SECTION VIII, DIV. I, 2001 EDITION

DESIGN PRESSURE: 9928 KPA (1440PSI)	DESIGN TEMP: 38C (100F)
HYDROTEST: 14892 KPA (2160 PSI)	LONG'L JOINT EFF: 100%
RADIOGRAPHY-CIRC. SEAMS-SPOT UW11(a)5(b)	CORR. ALLOWANCE: 3.17mm (.125")
RADIOGRAPHY-LONG SEAMS FULL	LIMITED BY: SHELL
P.W.H.T: OPTIONAL 621°F FOR 75 MINUTES	FLANGES: SA-105
M.A.W.P: 9928 KPA (1440 PSI)	NOZZLES: SA-106-B
HEADS: SA-516-70-N MIN: 30.16mm NOM: 31.75mm	STUDS: 193-B7
SHELL: SA-516-70-N NOM: 31.75mm	NUTS: 194-2H
MIN. DESIGN METAL TEMP: -29C (-20F)	MISC. PLATE: SA-36
EXEMPT FROM IMPACT TEST REQUIREMENTS AS PER UCS 66 (A) & (C)	

WELD FITTINGS:	SA-234-WPB
COUPLINGS(T.O.L):	SA-105
INTERNALS:	SA-36
PRE-HEAT:	10C (50F)
SHIPPING WT:	2689KG (5916lbs)
CAPACITY:	1.35 CUBIC METER (47.38 CU FT)
PAINT:	
CRN:	

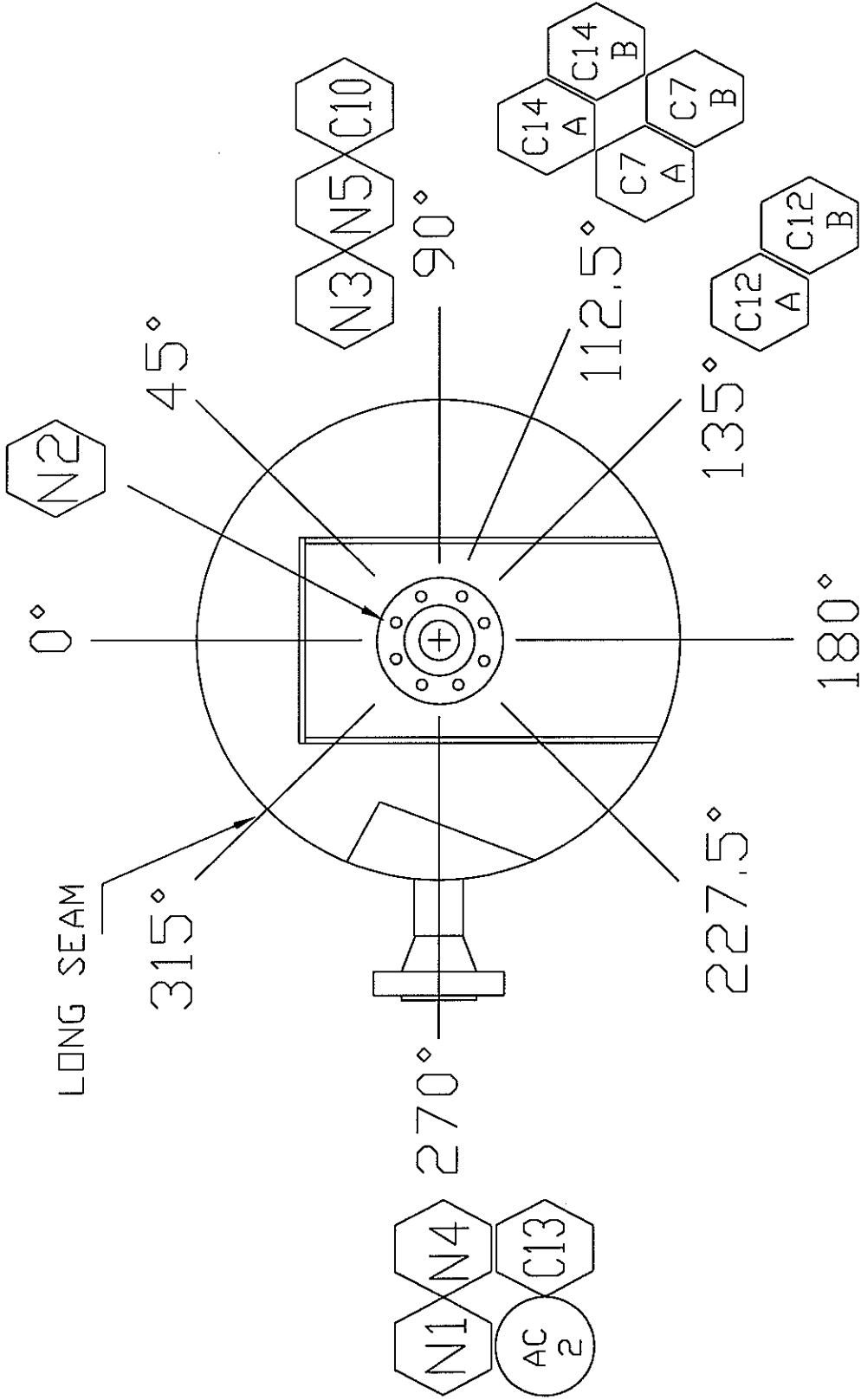
RJV **GAS FIELD SERVICES LTD.**
4901- 47 ST VEGREVILLE, ALTA
T9C-1C3
PHONE (780) 632-7774
FAX (780) 632 6820

TITLE: 762mm OD X 2438 sm/sm 9928 KPA
3 PHASE VERTICAL SEPARATOR

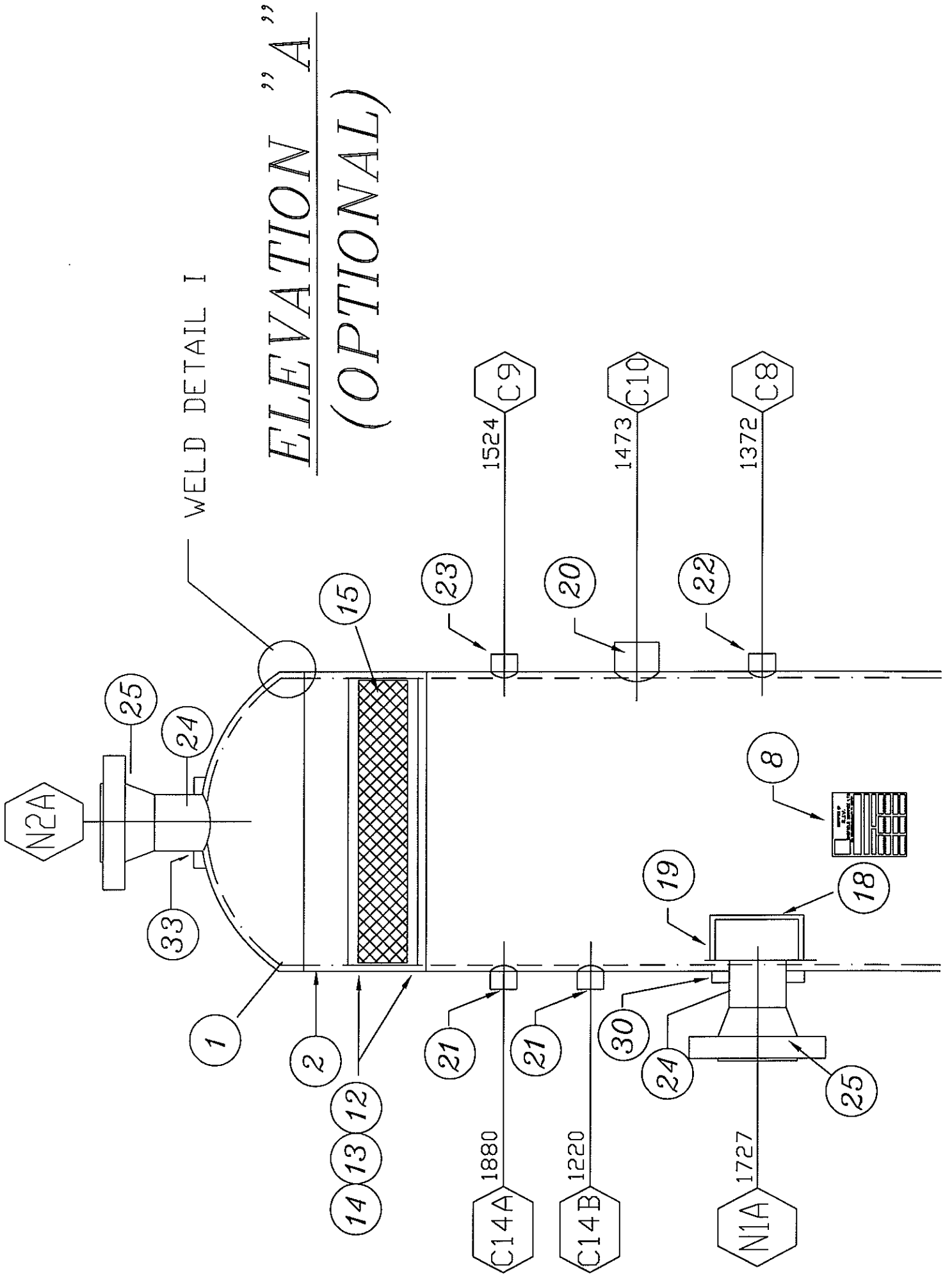
DWG. # V02-385

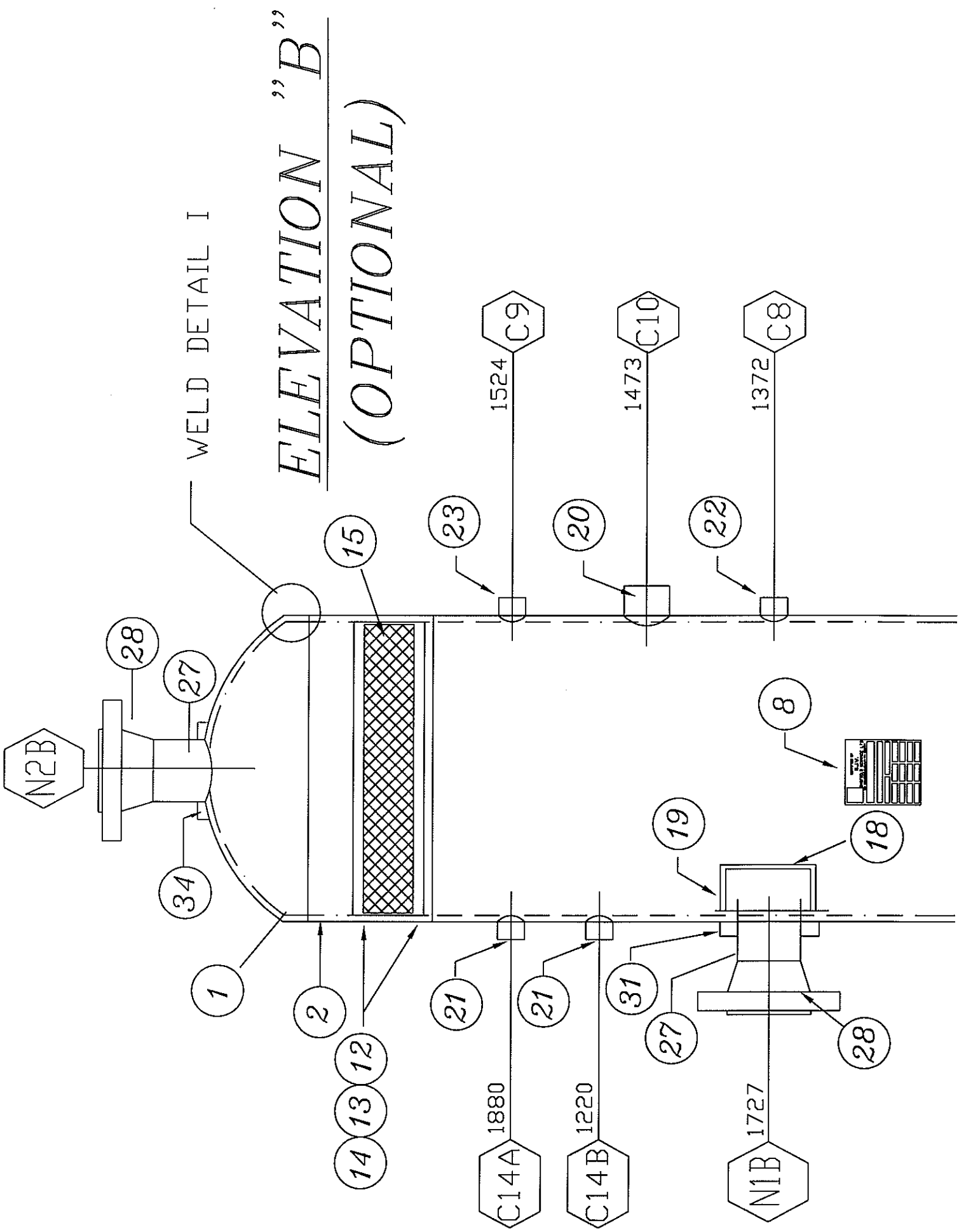
REV. # 0

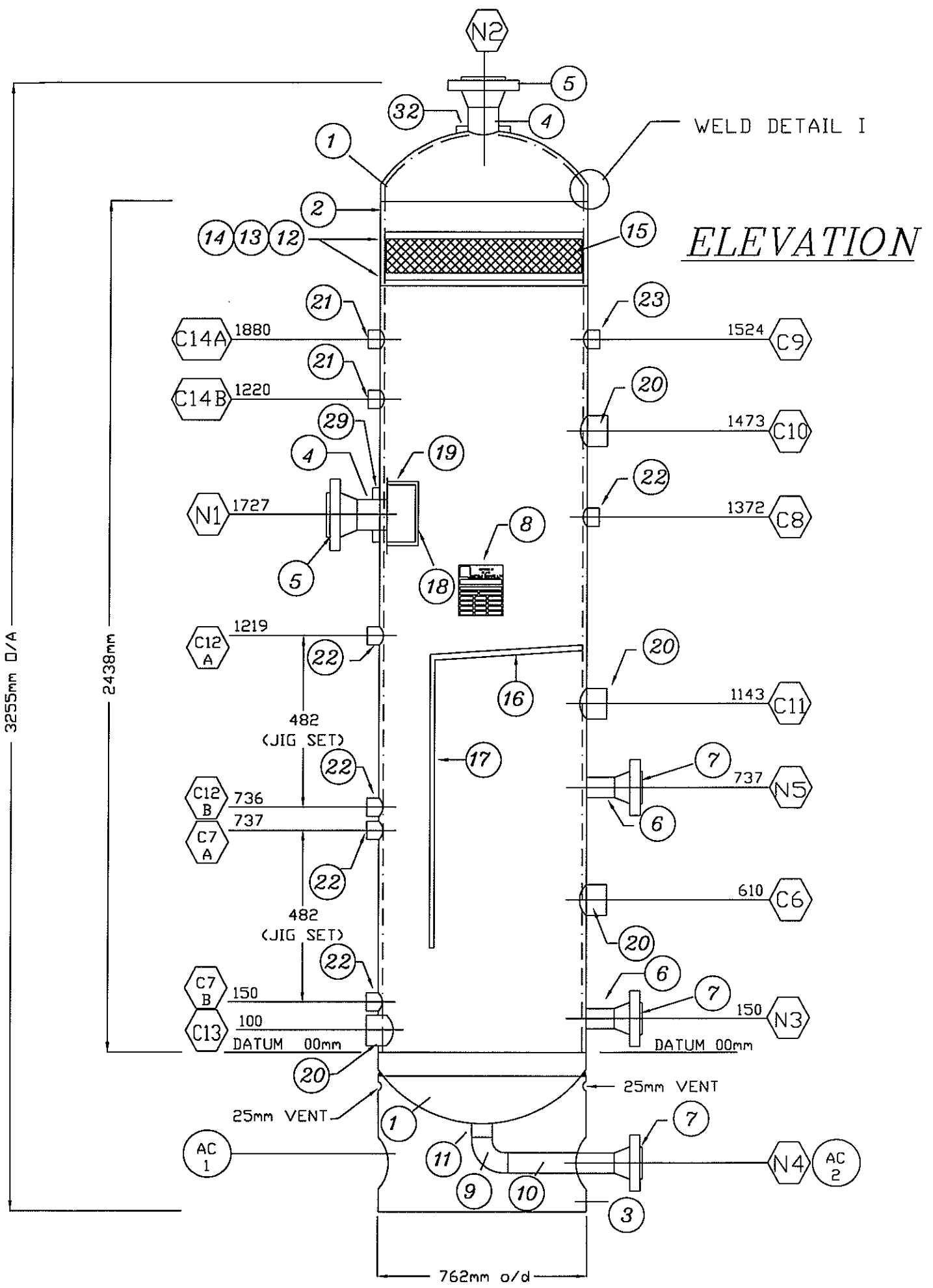
SHEET OF



ORIENTATION







WELD DETAIL I

ELEVATION

3255mm D/A

2438mm

762mm o/d

25mm VENT

25mm VENT

DATUM 00mm

DATUM 00mm

482 (JIG SET)

482 (JIG SET)

C14A 1880

C14B 1220

N1 1727

C12A 1219

C12B 736

C7A 737

C7B 150

C13 100

1524 C9

1473 C10

1372 C8

1143 C11

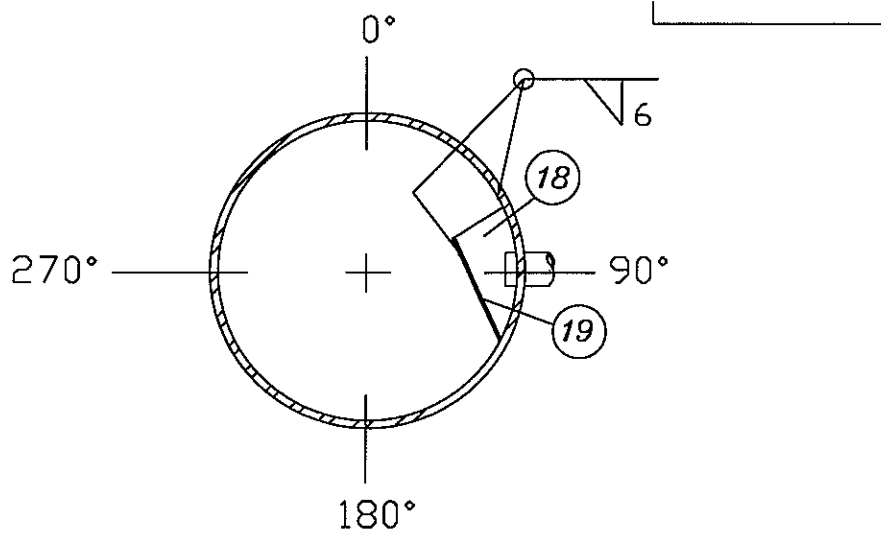
737 N5

610 C6

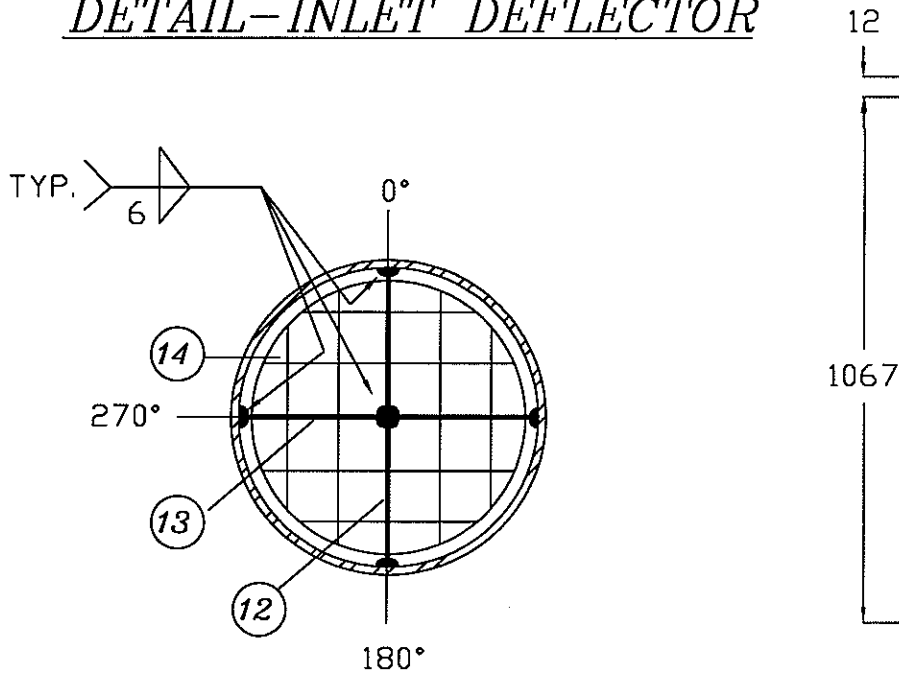
150 N3

AC 1

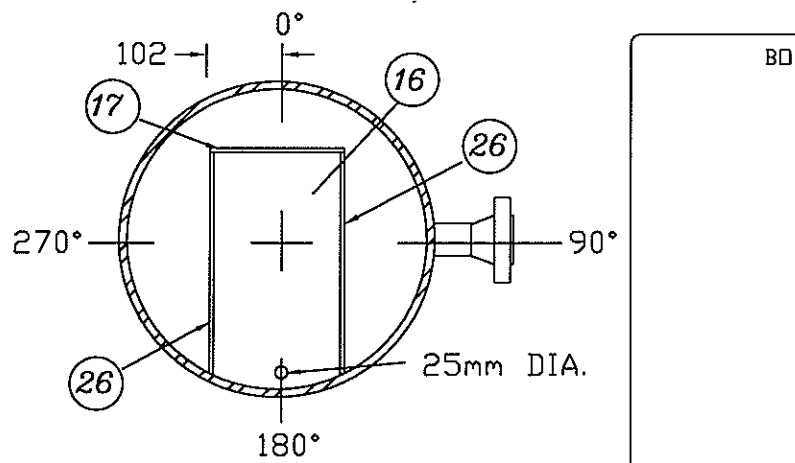
N4 AC 2



DETAIL-INLET DEFLECTOR



DETAIL-MISTEX SUPPORT



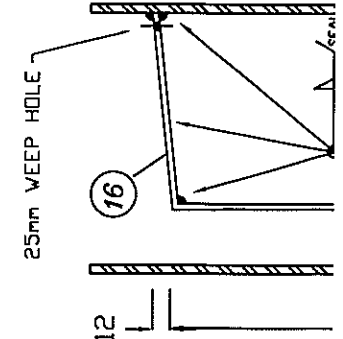
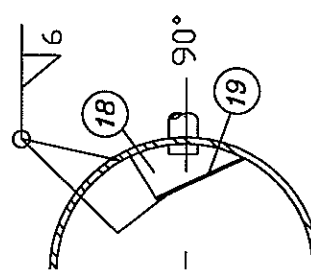
DETAIL-FLOAT BAFFLE

NOZZLE SCHEDULE

MARK	SIZE	RATING	TYPE	SERVICE	NOZZLE BORE	ITEM	PROJ'N I/S O/S	WELD DETAIL	WELD SIZE			REMARKS
									A	B	C	
N1	88.9mm	600#	RFWN	INLET	SCHXXS	4,5	190mm	III,V	10mm	6mm	10mm	140mm o/d x 12.7mm THK REPAD SA-516-70
N1A	114.3mm	600#	RFWN	INLET (OPTIONAL)	SCHXXS	24,25	25mm	III,V	10mm	6mm	16mm	165mm o/d x 19mm THK REPAD SA-516-70
N1B	168.3mm	600#	RFWN	INLET (OPTIONAL)	SCH160	27,28	29mm	III,V	10mm	6mm	16mm	280mm o/d x 19mm THK REPAD SA-516-70
N2	88.9mm	600#	RFWN	OUTLET	SCHXXS	4,5	190mm	III,V	10mm	6mm	10mm	140mm o/d x 6.3mm THK REPAD SA-516-70
N2A	114.3mm	600#	RFWN	OUTLET (OPTIONAL)	SCHXXS	24,25	25mm	III,V	10mm	6mm	10mm	165mm o/d x 9.5mm THK REPAD SA-516-70
N2B	168.3mm	600#	RFWN	OUTLET (OPTIONAL)	SCH160	27,28	29mm	III,V	10mm	6mm	13mm	280mm o/d x 12.7mm THK REPAD SA-516-70
N3	60.3mm	600#	RFWN	LIQUID OUT(WATER)	SCHXXS	6,7	6mm	III,V	10mm	6mm		
N4	60.3mm	600#	RFWN	DRAIN	SCHXXS	7,9,10,11	6mm	III,V	10mm	6mm		
N5	60.3mm	600#	RFWN	LIQUID OUT (COND.)	SCHXXS	6,7	10mm	III,V	10mm	6mm		
C6	60.3mm	6000#	CPLG	L.L.G. (WATER)		20	6mm	IV	10mm	6mm		
C7A,B	26.7mm	6000#	CPLG	L.L.G. (WATER)		22	6mm	IV	10mm	6mm		
C8	21.4mm	6000#	CPLG	P.I.		23	6mm	IV	10mm	6mm		
C9	26.7mm	6000#	CPLG	T.I.		22	6mm	IV	10mm	6mm		
C10	60.3mm	6000#	CPLG	P.S.V. (INSPECTION)		20	6mm	IV	10mm	6mm		
C11	60.3mm	6000#	CPLG	L.L.G. (COND.)		20	6mm	IV	10mm	6mm		
C12A,B	26.7mm	6000#	CPLG	L.L.G. (COND.)		22	6mm	IV	10mm	6mm		
C13	60.3mm	6000#	CPLG	INSPECTION		20	6mm	IV	10mm	6mm		
C14A,B	33.4mm	6000#	CPLG	HLSD CAGE CONN.		21	6mm	IV	10mm	6mm		

***NOTE**
ALL PIPE NOZZLES MUST BE
INSIDE EDGE RADIUSED 1/8"
AS PER UW 16(a)(3)

BILL OF MATERIALS			DESCRIPTION	MAT'L
ITEM	QTY.			
1	2		7620/d X 31.75 NOM. SMLS HEAD 2:1 S.E. 30.16 MIN.	SA-516-70-N
2	1		762 o/d X 2438mm ROLLED SHELL B.B.E. 31.75 NOM	SA-516-70-N
3	1		762 o/d X 457mm LG. 12.7mm ROLLED SKIRT	SA-516-70
4	2		88.9mm X 152mm LG. B.O.E. SMLS PIPE SCH XXS	SA-106-B
5	2		88.9mm, 600 ANSI RFWN FLANGE SCH XXS BORE	SA-105
6	2		60.3mm X 102mm LG. B.O.E. SMLS PIPE SCH XXS	SA-106-B
7	3		60.3mm, 600 ANSI RFWN FLANGE SCH XXS BORE	SA-105
8	1		NAME PLATE & 165mm LG. X 152mm WIDE CHANNEL	SA-36
9	1		60.3mm 90° BUTT WELD ELBOW SCH XXS	SA-234-VPB
10	1		60.3mm X 330mm LG. BBE, SMLS PIPE SCH XXS	SA-106-B
11	1		60.3mm X 75mm LG. BBE, SMLS PIPE SCH XXS	SA-106-B
12	1		698mm LG. X 6mm THK X 50mm W. MESH SUPPORT	SA-36
13	2		347mm LG. X 6mm THK X 50mm W. MESH SUPPORT	SA-36
14	2		475mm o/d X 25.4mm W. MESH PAD SUPPORT GRIDS	SA-36
15	1		482mm o/d X 152mm THK MISTEX PAD 304 S.S. KNITTED WIRE MESH @91gs/CU. FT. DENSITY	304SS
16	1		304mm o/d X 225mm LG. X 6mm THK FLOAT BAFFLE	SA-36
17	1		304mm o/d X 106.7mm LG. X 6mm THK FLOAT BAFFLE	SA-36
18	2		152mm LG. X 204mm W X 6mm THK INLET DEFLECTOR	SA-36
19	1		179mm LG. X 204mm W X 6mm THK INLET DEFLECTOR	SA-36
20	4		60.3mm NPT 6000# FULL COUPLING	SA-105
21	2		33.4mm NPT 6000# FULL COUPLING	SA-105
22	5		26.7mm NPT 6000# FULL COUPLING	SA-105
23	1		21.4mm NPT 6000# FULL COUPLING	SA-105
24	2		114.3mm X 152mm LG. B.O.E. SMLS PIPE SCH XXS	SA-106-B
25	2		114.3mm, 600 ANSI RFWN FLANGE SCH XXS BORE	SA-105
26	2		210mm o/d X 106.7mm LG. X 6mm THK FLOAT BAFFLE	SA-36
27	2		168mm X 203mm LG. B.O.E. SMLS PIPE SCH XXS	SA-106-B
28	2		168mm 600 ANSI RFWN FLANGE SCH XXS BORE	SA-105
29	1		140mm o/d X 12.7mm THK ROLLED REPAD	SA-516-70
30	1		165mm o/d x 19mm THK ROLLED REPAD	SA-516-70
31	1		208mm o/d x 19mm THK ROLLED REPAD	SA-516-70
32	1		140mm o/d x 6.3mm THK DISHED REPAD	SA-516-70
33	1		165mm o/d x 9.5mm THK DISHED REPAD	SA-516-70
34	1		208mm o/d x 12.7mm THK DISHED REPAD	SA-516-70



BT DEFLECTOR