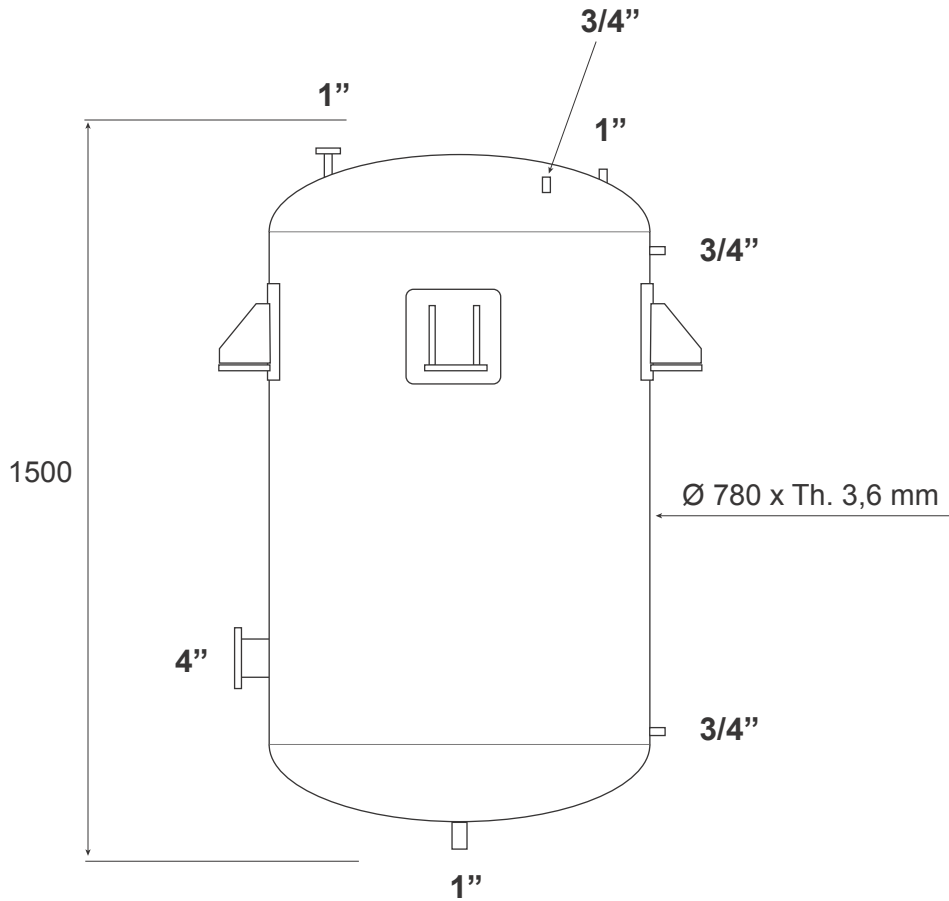


# COPRINOX

# VESSEL

Code n° **VV 006 0521**

Location ref: 90 C1

CAPACITY LITERS 620

SHELL SIDE

JACKET/COIL SIDE

Design Pressure KG/cm2  
Design Temperature °C  
Material

Vac

AISI 316

ANCC or ISPESL certification: NOT  
Availability in stock n° 01 units

## NOZZLE DIMENSIONS

Pos	Service	Size
A		
B		
C		
D		
E		

MANUFACTURER Angelo Pilotta

- USED  
 USED RECONDITIONED  
 UNUSED

NOTE

WEIGHT (approx) Kg \_\_\_\_\_