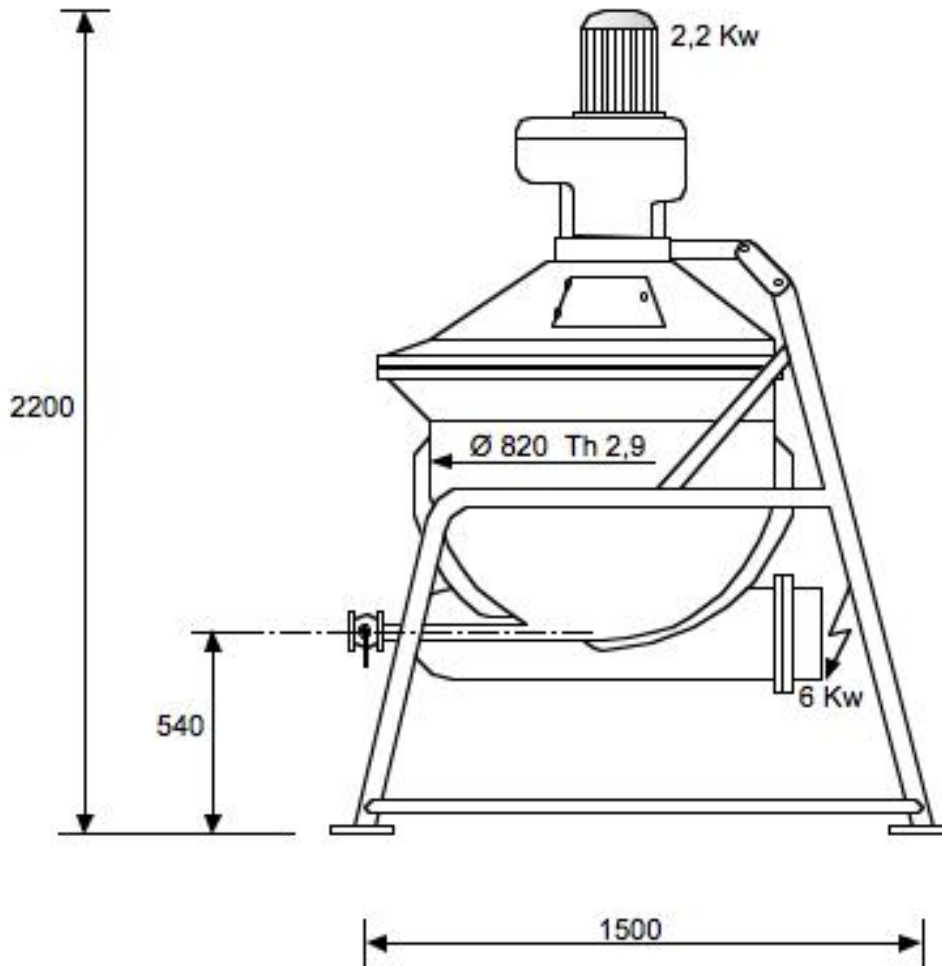


COPRINOX

AGITATED VESSEL

Code n° **RAJ 003 0958**

Location ref: 97 T2



CAPACITY LITERS _____ 300 _____	SHELL SIDE	JACKET/COIL SIDE	
Design Pressure KG/cm2 Design Temperature °C Material	AISI 304	Carbon Steel	
ANCC or ISPESEL certification: _____ NOT Availability in stock n° _____ 01 _____ units	NOZZLE DIMENSIONS		
MANUFACTURER: _____ OLSA _____	Pos	Service	Size inch.
<input checked="" type="checkbox"/> USED <input type="checkbox"/> USED RECONDITIONED <input type="checkbox"/> UNUSED	A		
	B		
	C	Product outlet	2"
	D		
	E		
WEIGHT (approx) Kg _____ 680 _____	NOTE RPM del planetario 12,5		