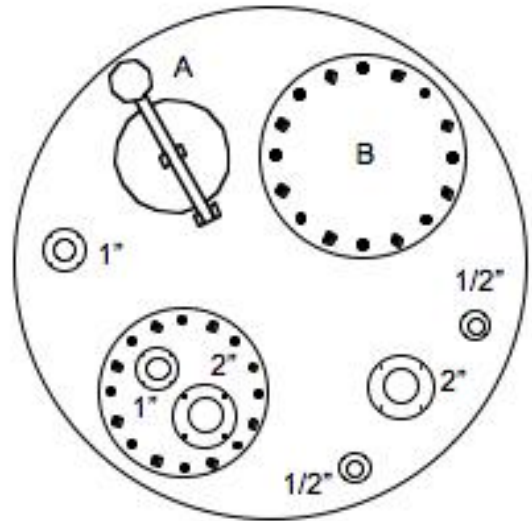
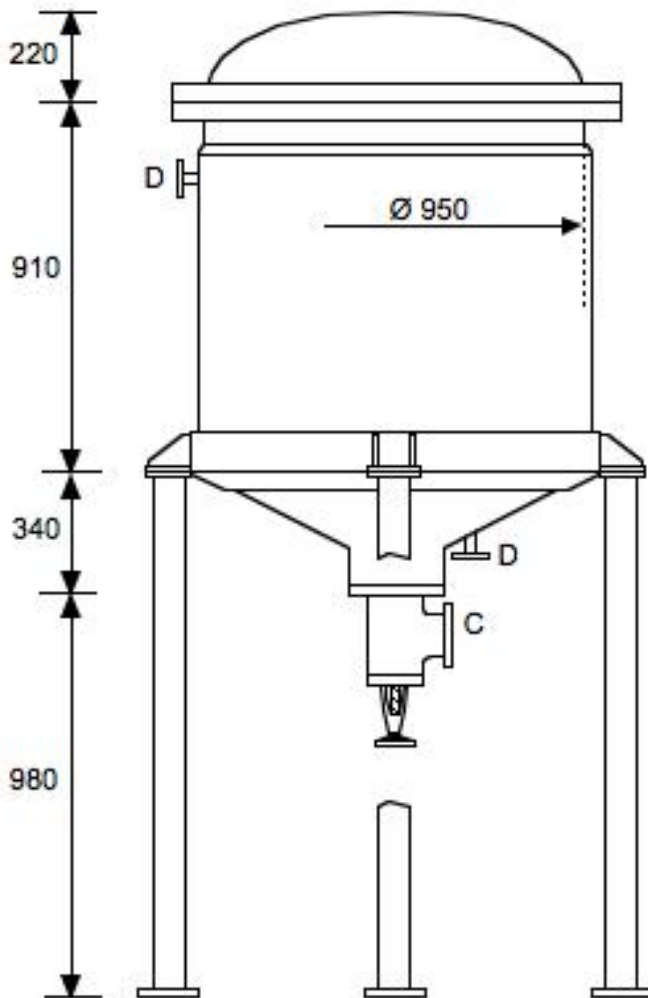


COPRINOX

VESSEL

Code n° VVJ 008 1109

Location ref: 96 C5



CAPACITY LITERS <u>850</u>		SHELL SIDE	JACKET/COIL SIDE	
Design Pressure KG/cm2				
Design Temperature °C				
Material		AISI 304	Carbon Steel	
ANCC or ISPESL certification: <u>NOT</u>		NOZZLE DIMENSIONS		
Availability in stock n° <u>01</u> units				
MANUFACTURER _____		Pos	Service	Size inch.
<input checked="" type="checkbox"/> USED <input type="checkbox"/> USED RECONDITIONED <input type="checkbox"/> UNUSED		A	Hand hole	6"
		B	Vapours outlet	8"
		C	Product outlet	4"
		D	Heating medium in-out	1"
WEIGHT (approx) Kg _____		NOTE _____		