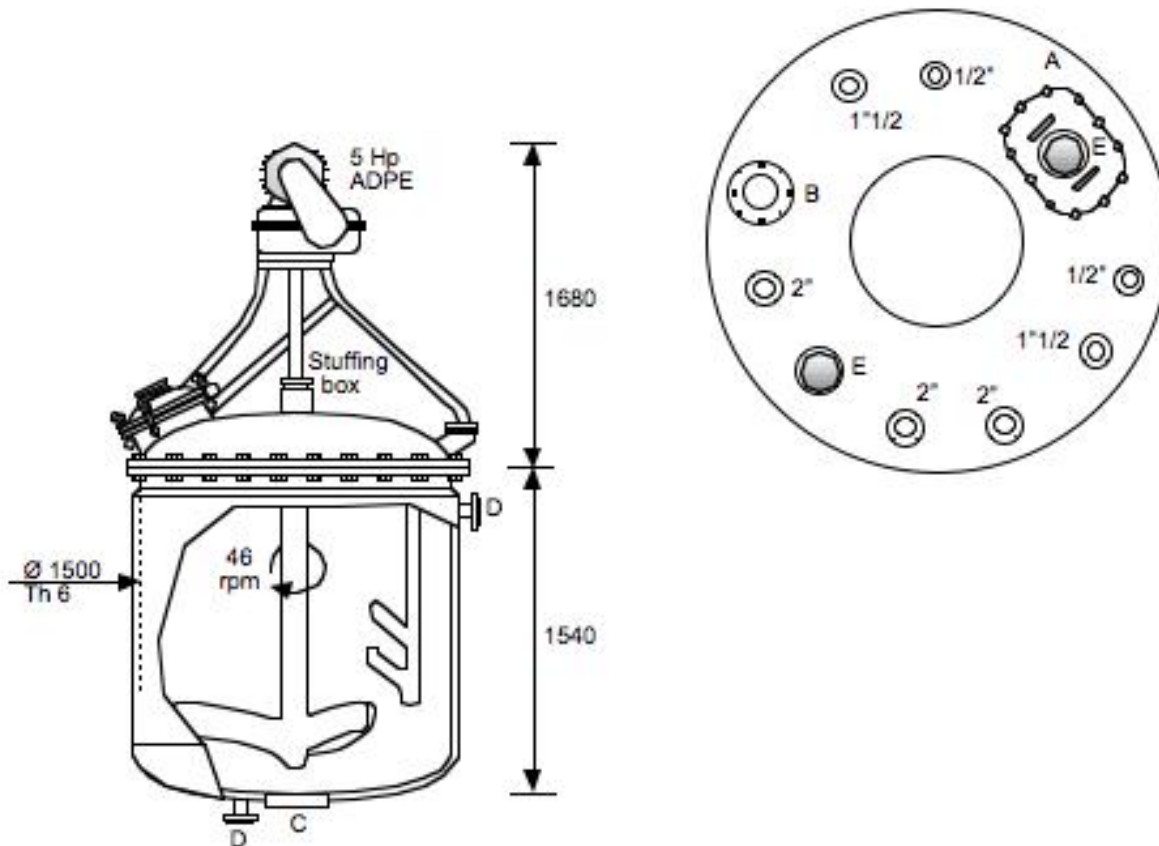


COPRINOX

AGITATED VESSEL

Code n° **RAJ 025 0139**

Location ref: 87 A2

CAPACITY LITERS 2.500

SHELL SIDE

JACKET/COIL SIDE

Design Pressure KG/cm2
Design Temperature °C
Material

AISI 316

Carbon Steel

ANCC or ISPESL certification: NOT
Availability in stock n° 01 units

NOZZLE DIMENSIONS

Pos	Service	Size inch.
A	Man hole	450x350
B	Vapours outlet	6"
C	Product outlet	4"
D	Heating medium in-out	1"1/4
E	Sight glass	4"

 USED
 USED RECONDITIONED
 UNUSED

NOTE

WEIGHT (approx) Kg 1800