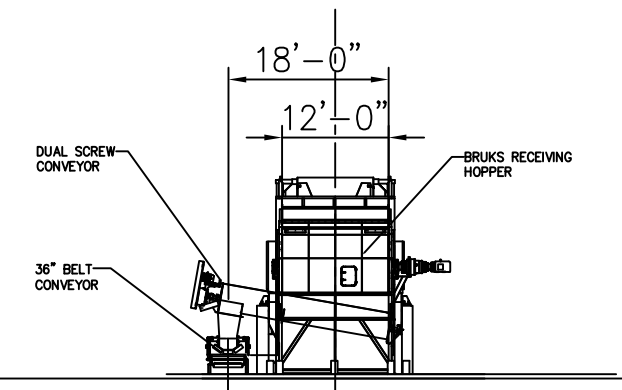
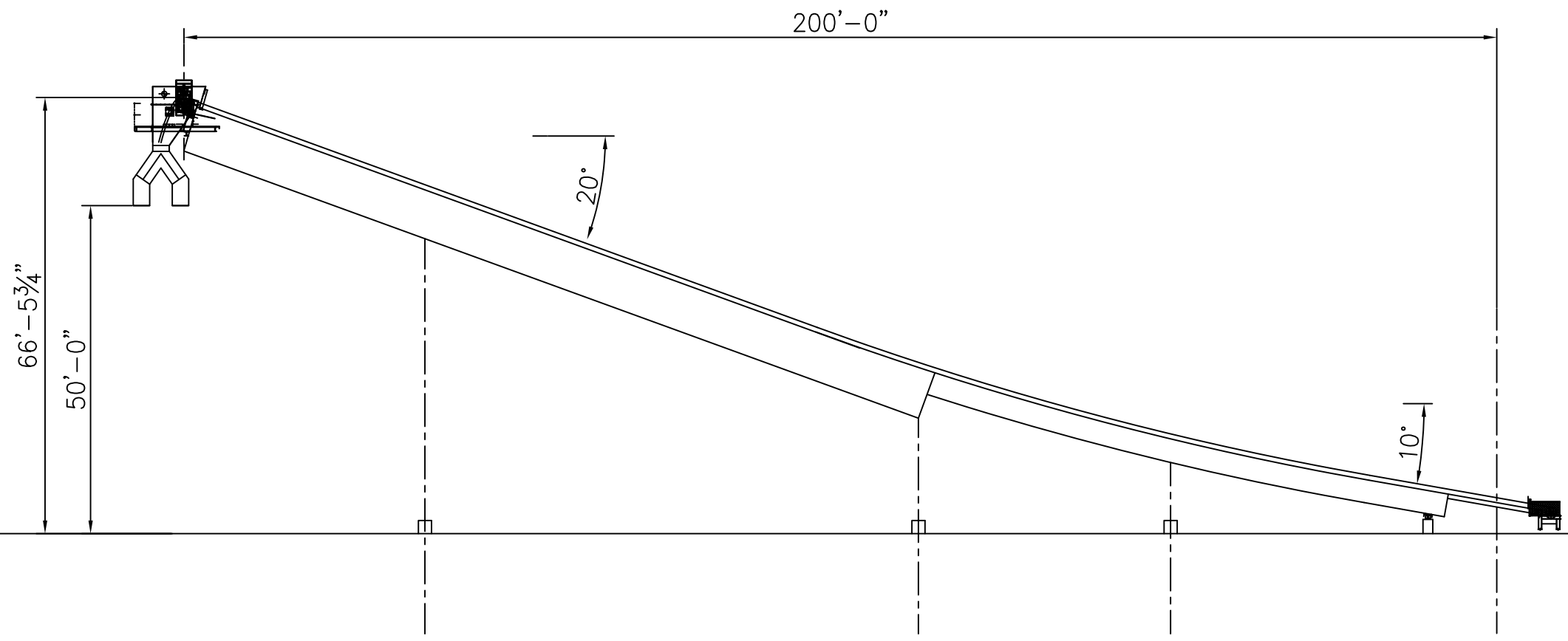


ELEVATION – TRUCK DUMPER



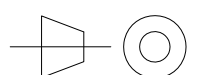
ELEVATION – SCREW DISCHARGE



ELEVATION – BELT CONVEYOR

UNLESS NOTED OTHERWISE
DIMENSIONS ARE IN INCHES
DO NOT SCALE DRAWING

UNLESS NOTED OTHERWISE
THIRD ANGLE PROJECTION



TOLERANCES
FRAC +/- 1/16
.XX +/- .020
.XXX +/- .005
ANGLES +/- 1 DEG

PROPRIETARY AND CONFIDENTIAL
THE INFORMATION CONTAINED IN THIS DRAWING IS THE SOLE PROPERTY OF BRUKS ROCKWOOD. ANY REPRODUCTION IN PART OR AS A WHOLE WITHOUT THE WRITTEN PERMISSION OF BRUKS ROCKWOOD IS PROHIBITED.

REV.	DATE	BY	DESCRIPTION
A	04/04/2018	DPE	FOR REFERENCE ONLY

CHIP RECEIVING SYSTEM
GENERAL ARRANGEMENT
EVERGREEN PACKAGING - CANTON, NC



SCALE	DATE	04/04/2018
DRAWN BY	APPROVED BY	
DESIGNED BY	CHECKED BY	
REPLACES	DPE	
PROJECT	SHEET	1 OF 1
DRAWING NO.	18-007808-GA-P01	REV. NO.
SHEET SIZE	B	A