

9232 / 9232 IP66

small character inkjet printers ■ ■ ■



Continuous savings. Continuous performance. Continuous inkjet.

The 9232 covers a large range of coding applications, from general purpose marking to high performance marking up to 3 shifts in the food, beverage, cosmetics, toiletries, electronics, aerospace and automotive industries. The 9232 offers optimum and intuitive management of marking solutions allowing for better control of associated costs, environmental impact and printing performance.

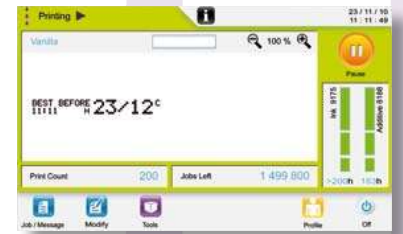
Cost reduction

- Enhanced ink cartridge life to print up to 190 million characters per liter as standard.
- Additive consumption can be reduced by up to 2.5 ml/h at 20°C*.
- Time between maintenance operations is extended to 18 months*.
- No plant air required.



Operation optimization

- New, revolutionary user interface with 7-inch wide color touch screen.
- Real-time display of remaining print capacity and tracking of consumption, printer availability and maintenance procedures.
- Fast, safe consumable changeover, with no spillage and no need to stop printing.
- Table-top or vertical mounting for easy installation.



Unmatched reliability

- Excellent availability ratio of up to 99.9%* without assistance due to its new ink circuit and innovative printhead.
- 18-month warranty for hardware*.
- Up to 5-year warranty available.
- IP56 stainless steel cabinet as standard.



High performance printing

- Up to 5 lines of printing for “best before” dates, logos, alphanumeric text, 1D and 2D barcodes.
- Print speeds of up to 6.6 m/s.
- Font heights of up to 32 dots.
- Optional ultrarapid mode for high-speed printing.
- Broad range of specialty inks, including returnable glass ink for washable marking.

Eco-initiatives

- Over 80% recyclable materials.
- New multi-use ketone-free and MEK-free inks.
- Electric power is limited to 60 VA, reducing power consumption.



markem·imaje

9232 / 9232 IP66 specifications ■ ■ ■

Print features ■ ■ ■

- Mono-jet printhead
- G head (printing resolution: 71 dpi)
- M head (printing resolution: 115 dpi)
- Up to 5 lines of print
- Print speed: up to 6.6 m/s
- Font height from 5 to 32 dots
- Character height: from 1.1 to 11.4 mm
- Wide choice of 1D and 2D barcodes (EAN8/EAN13/EAN128/UPCA/UPCE barcodes, code 39, code 128, interleaved 2 of 5, Datamatrix)
- Wide choice of characters (Latin, Japanese, Chinese, Korean, etc.)

Printhead

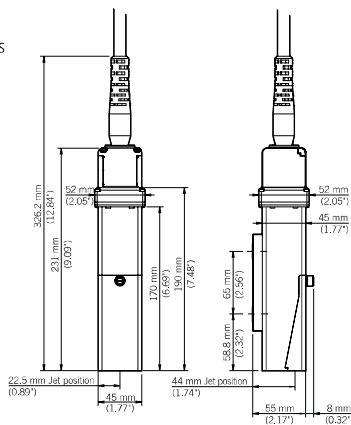
Minimum radius of curvature of the umbilical:

- Static:

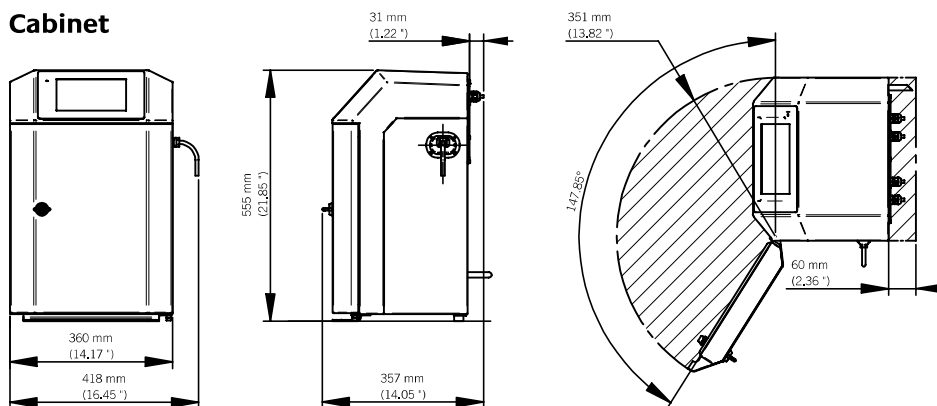
100 (3.93 ")

- Dynamic:

150 (5.90 ")



Cabinet



Operations ■ ■ ■

- Message library (up to 1000 messages)
- International operator/machine interface with a wide choice of languages
- WYSIWYG 7-inch wide touch screen: real-time display of remaining print capacity expressed in hours and number of messages; integrated assistance and alert system; simplified message printing and management; creation of user profiles; and tracking of consumption and printer availability
- USB and SD ports
- Jet Speed Control guarantees marking quality
- Automatic selection of fonts, depending on print speed and printhead/object distance
- Broad range of inks: multi-use, high performance; alcohol-based, ketone-free and MEK-free inks available
- Sealed 0.8-liter cartridges with foolproofing system
- Quick connect/disconnect of accessories (photocell, alarm and encoder)
- Parent/child connectivity
- Ethernet connectivity

Other characteristics ■ ■ ■

- Weight: 25 kg
- Table-top or vertical mounting
- Ultra-flexible 3-meter umbilical cable
- Stainless steel cabinet and printhead case
- Dust/humidity protection rating: IP56 not requiring plant air
- Operating temperature range: 0 to 40°C depending on ink used
- Humidity: 10 to 90% non-condensing
- Electrical power supply: 100-120 V or 200-240 V with automatic switching; frequency 50/60 Hz; power 60 VA

Options ■ ■ ■

- Ultra-flexible 6-meter umbilical cable
- IP66 protection (requires plant air)
- Ultrarapid mode for high-speed printing
- Printhead pressurization kit
- RS-232/422 connectivity, parallel interface, many I/O possibilities to enable remote operation

Accessories ■ ■ ■

- Printer supports: stands (stainless steel or aluminum), table or wall mounting bracket
- Printhead stand (stainless steel)
- Different printhead brackets
- Photocells
- Encoders
- Alarm beacons (24 V)

PC software ■ ■ ■

- Compatible with CoLOS Create Professional and CoLOS Enterprise
- Logo creation with CoLOS Graphics



To learn more, scan the code with your smartphone or visit www.markem-imaje.com



We reserve the right to amend the design and/or specifications of our products without notice.

9, rue Gaspard Monge
B.P. 110
26501 Bourg-lès-Valence Cedex - France
Tel.: +33 (0) 4 75 75 55 00
Fax: +33 (0) 4 75 82 98 10

150 Congress Street
Keene, NH 03431
United States of America
Tel.: +1 800-258-5356
Fax: +1 603-357-1835



markem·imaje

A  Company