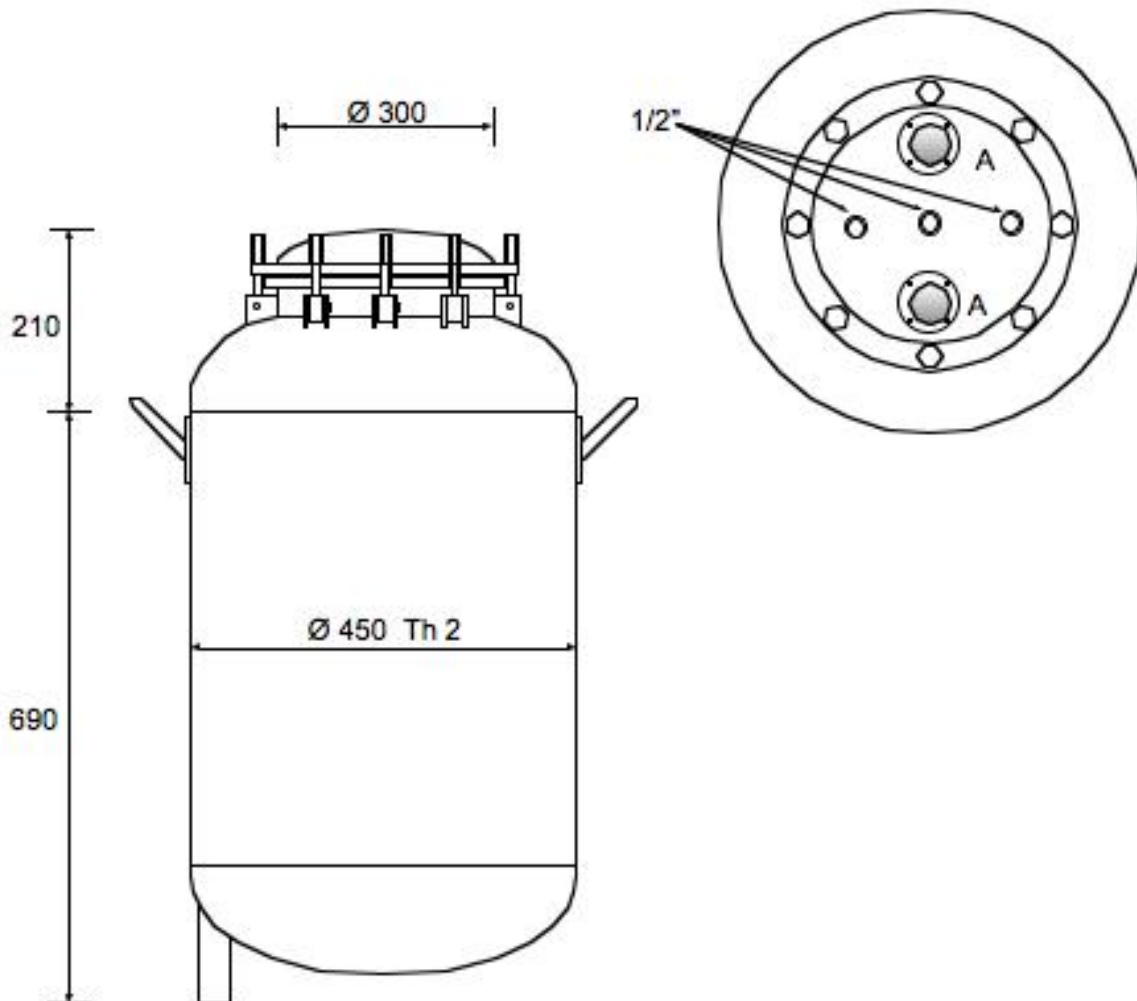


COPRINOX

VESSEL

Code n° **VV 001 1028**

Location ref: 95 T2

CAPACITY LITERS **100**

SHELL SIDE

JACKET/COIL SIDE

Design Pressure KG/cm²
Design Temperature °C
Material

AISI 316

ANCC or ISPESL certification: **NOT**
Availability in stock n° **02** units

NOZZLE DIMENSIONS

MANUFACTURER **NICOLA ALBIA**

Pos	Service	Size inch.
A	Sight glass	2"
B		
C		
D		
E		

- USED
 USED RECONDITIONED
 UNUSED

NOTE VV.001.1029WEIGHT (approx) Kg **35**